

**YOE  
SHIN®**

**由 鑫 國 際 有 限 公 司**

工業鎖具、鉸鏈、風扇、電子鎖、箱扣、限位開閉器  
Locks, Latches, Hinges, Fan, Electronic Lock System

TAI SAM CORPORATION

CANADA  
MEXICO  
U.S.A

**NORTH  
AMERICA**

CHILE  
PERU

**SOUTH  
AMERICA**

## 由鑫國際有限公司

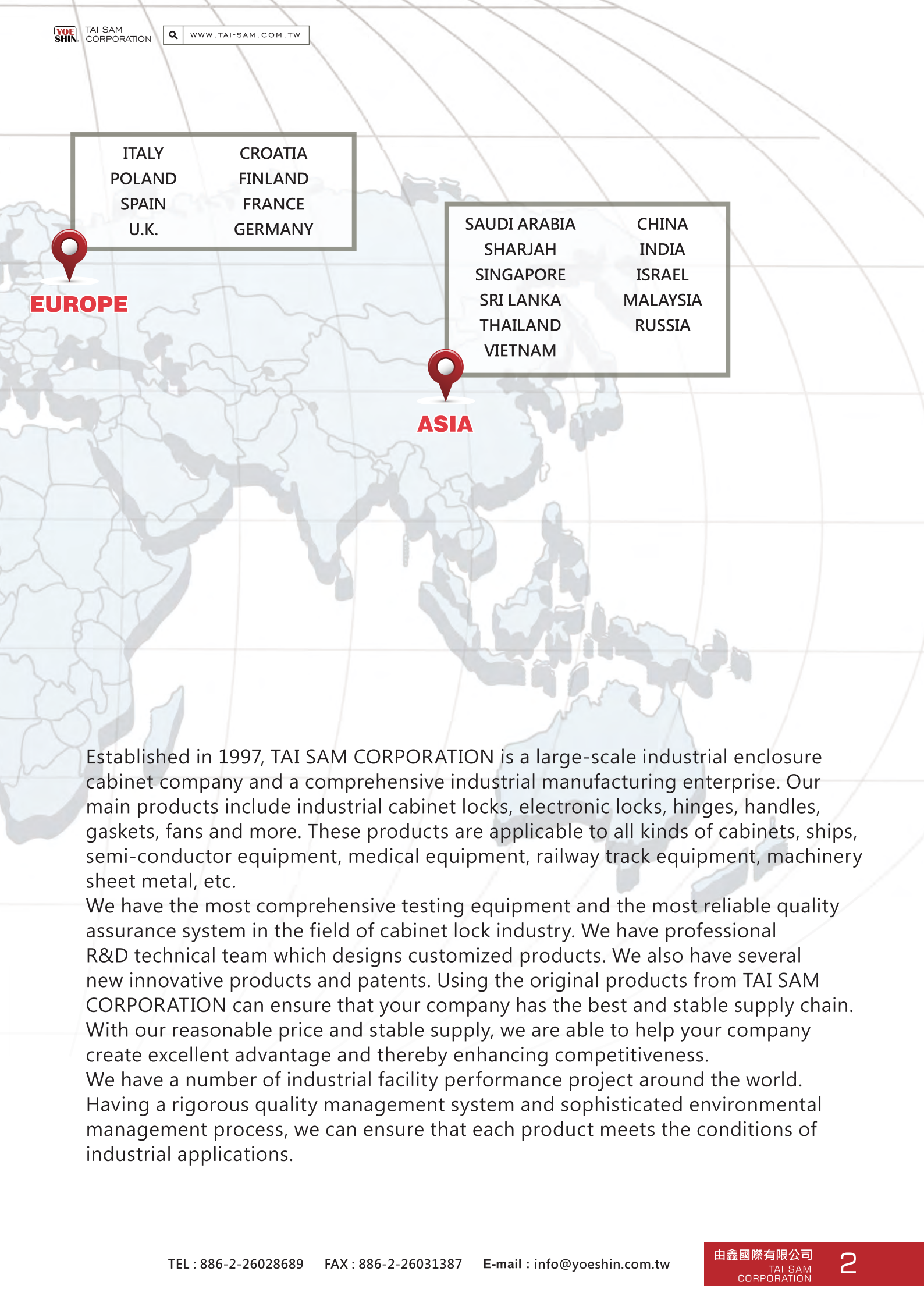
工業鎖具 · 鉸鏈 · 箱扣 · 散熱模組 · 電子鎖

由鑫國際有限公司 創立於 1997 年，是一家具規模的工業五金製造商，主要產品包括：工業櫃鎖、電子鎖、鉸鏈、把手、搭扣、散熱模組等。產品應用於工業配電櫃、自動化設備、交通運輸設備、工具機、工業機箱機櫃、食品機械、醫療設備機械鈹金等各式工業箱柜體。

擁有最完善、最強大的檢測設備；建立可靠的品管體系，專業的研發技術團隊，取得多項發明及專利。使用由鑫國際原廠產品，能確保貴公司擁有最佳且穩定的供應鏈，提升產品附加價值及競爭力！

我們在全球擁有許多經銷商及成功實績案例，在嚴謹的品質管理系統及精密的製程環境管理下，我們能保證每項產品符合工業應用的條件。





ITALY  
POLAND  
SPAIN  
U.K.  
CROATIA  
FINLAND  
FRANCE  
GERMANY

**EUROPE**

SAUDI ARABIA  
SHARJAH  
SINGAPORE  
SRI LANKA  
THAILAND  
VIETNAM  
CHINA  
INDIA  
ISRAEL  
MALAYSIA  
RUSSIA

**ASIA**

Established in 1997, TAI SAM CORPORATION is a large-scale industrial enclosure cabinet company and a comprehensive industrial manufacturing enterprise. Our main products include industrial cabinet locks, electronic locks, hinges, handles, gaskets, fans and more. These products are applicable to all kinds of cabinets, ships, semi-conductor equipment, medical equipment, railway track equipment, machinery sheet metal, etc.

We have the most comprehensive testing equipment and the most reliable quality assurance system in the field of cabinet lock industry. We have professional R&D technical team which designs customized products. We also have several new innovative products and patents. Using the original products from TAI SAM CORPORATION can ensure that your company has the best and stable supply chain. With our reasonable price and stable supply, we are able to help your company create excellent advantage and thereby enhancing competitiveness.

We have a number of industrial facility performance project around the world. Having a rigorous quality management system and sophisticated environmental management process, we can ensure that each product meets the conditions of industrial applications.

# DESIGN MANUFACTURING DELIVERY



設計  
DESIGN

製模  
MOLDING

塑膠射出  
INJECTING

壓鑄  
DIE CASTING

沖壓  
STAMPING



表面處理

SURFACE TREATMENT

產品完成

PRODUCT COMPLETION

包裝

PACKAGE

運輸

TRANSPORT

# TEST CENTER

## 產品檢測實驗室

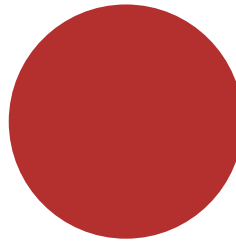
## PRODUCT TESTING LABORATORY

本公司產品檢測中心分設：產品耐候性實驗、機械性能實驗、理化分析實驗 三類別。

根據 GB/T25293-2010 檢驗要求。

建立整套鎖具鉸鏈檢驗設備系統。

To establish a complete set of inspection equipment system for locks and hinges

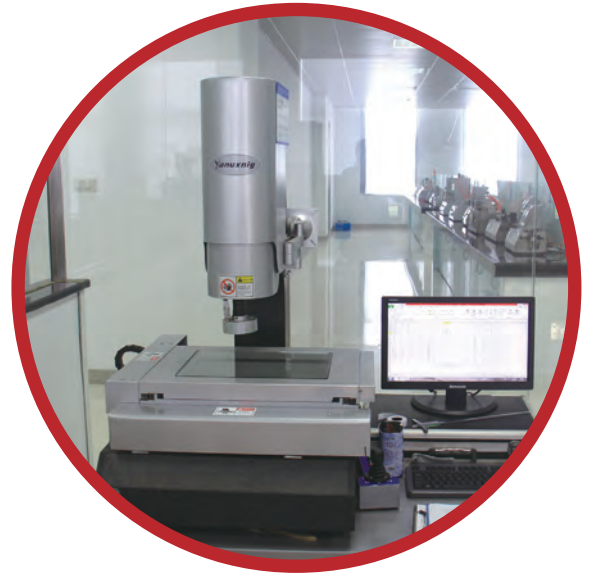


**01** 產品耐候性試驗：  
**PRODUCT WEATHERING TEST**  
鹽霧試驗、紫外線耐受試驗、高低溫交變濕熱試驗。

**02** 機械性能實驗及設備：  
**MECHANICAL PERFORMANCE TEST AND EQUIPMENTS**  
拉力試驗：檢測產品及材質的抗拉強度；衝擊試驗：檢測產品及材質的抗衝擊性能；影像測量儀：產品精密測繪、材料全像分析；測厚儀、硬度計、彈簧拉壓試驗機、彈簧扭力測試機、振動試驗機、各種機械疲勞實驗機。

**03** 理化分析實驗：  
**PHYSICAL AND CHEMICAL ANALYSIS EXPERIMENT**  
原子吸收分光光度計：材料成分化驗、歐盟 RoHs 指令有毒有害重金屬的含量檢測；六價鉻含量檢測。

# TEST EQUIPMENT



## 檢驗設備儀器：

### Inspection Equipment

1. 鹽霧試驗機  
Salt Spray Test Machine
2. 影像測量儀  
Image Measuring Instrument
3. 紫外線耐候試驗箱  
UV Weathering Test Chamber
4. 粉塵試驗箱  
Dust Test Chamber
5. 衝擊試驗機  
Impact Testing Machine
6. 耐電壓測試儀  
High Voltage Tester
7. 光譜儀  
Spectrometer
8. 鎖心壽命測試機  
Lock Life Test Machine
9. 硬度計  
Hardness Tester
10. 碳硫高速分析儀  
Carbon And Sulfur High Speed Analyzer
11. 原子吸收分光光度計  
Atomic Absorption Spectrophotometer
12. 防水試驗機  
Waterproof Testing Machine

## 電子拉壓萬能試驗機

### ELECTRONIC TENSION AND PRESSURE UNIVERSAL TESTING MACHINE

1. 測試各種材質的抗拉強度
2. 測試機櫃門鎖的擋片承重、手柄耐拉力值。
3. 測試鉸鏈橫向與縱向承重力的大小。



## 高低溫濕熱交變試驗箱

### HIGH AND LOW TEMPERATURE ALTERNATING HOT AND HUMID TEST CHAMBER

模擬加強操控各種環境下溫度、濕度及變化，在模擬環境下測試對產品機械與物理性能的影響。

奈米噴塗概念：奈米噴塗是奈米技術在工程中的應用，它是在物體表面形成一層微細奈米塗層的新型噴塗技術。塗層內含有高硬度、高耐腐蝕性奈米材料，可以提供多種顏色和光澤，是一種環保、經濟、耐用的表面處理。

奈米塗層不犧牲塗層，擁有卓越的耐酸、耐鹽鹼性以及高硬度，高穩定性。

# SKILL

## 奈米噴塗 NANOMETER SPRAY PAINTING



Nanometer Spray concept: nanometer spraying is the application of nano-technology in the project. It is a new form of spray technology that involves forming a layer of fine nano-coating on the surface of the object. The coating contains high surface hardness, high corrosion resistance nano materials that can provide a variety of colors and luster. This surface treatment is environmentally friendly, economical and durable. Nanometer coating does not sacrifice the coating. It has excellent resistance on acid, salt and alkali and has a high surface hardness and stability

1	耐高溫	150°C -180°C
2	耐低溫	-40°C
3	硬度	GB/T6739-96
4	衝擊強度	GB/T1732-93 無開裂、脫落 ( 50kg.cm )
5	耐沸水	100°C浸泡 60 分鐘後無異常
6	耐酸性	5% 鹽酸溶液浸泡 200 小時後無異常
7	耐鹼性	5% 苛性鹼溶液浸泡 200 小時後無異常
8	耐鹽霧腐蝕性	符合 GB/T1025-1997 500 小時中性鹽霧試驗
9	產品環保性	符合歐盟 RoHS 指令要求
10	耐黃變性	180°C烘 60 分鐘後無色差
11	耐候性	GB/T4522-93 E<2 ( ASTMG-53 ) QUV200 hours
12	彎曲試驗	GB11185-89 3MM Keep normal
13	塗膜厚度	GB1764-79 40-60um



## ● 圖例說明 ILLUSTRATION



## ● IP 等級含義 IP Rating

IP 分類體系通過一個數字來表明相體對抵抗衝擊和粉塵及水侵入的保護等級分區  
按照 IEC60529 對防護級別的劃分，其含義如下：

An IP rating, or Ingress Protection Rating classifies the degrees of protection against impact and entrance of both solids and liquids.

第一位	含義	第二位	含義
0	無防護 No protection against contact and ingress of objects	0	無防護 No protection against contact and ingress of objects
1	防護大於 50MM 的物體 Protection against entry of objects larger than 50 mm	1	防護滴水 (如凝結液) Protection against drops of liquid (such as condensed water)
2	防護大於 12MM 的物體 Protection against entry of objects larger than 12 mm	2	防護滴水、下滴傾斜角度小餘 15 Protection against drops of liquid. Drops of falling liquid shall have no effect when housing is tilted to 15 degrees from vertical
3	防護大於 2.5MM 的物體 Protection against entry of objects larger than 2.5mm	3	防護噴灑水、傾斜角度小餘 60 Protection against rain. No harmful effect from rain at angle less than 60 degrees from vertical
4	防護大於 1.0MM 的物體 Protection against entry of objects larger than 1.0mm	4	防護來自所有方向的濺水 Protection against splashing water from any direction
5	防護足以造成危害的粉塵的侵入 Ingress of dust is not entirely prevented, but does not allow entry of sufficient quantity to interfere with the satisfactory operation of the equipment	5	防護來自所有方向的水柱 Protection against water jet from any direction
6	粉塵無法侵入 Total protection against ingress of dust	6	防護高壓水柱 Protection against high pressure water jet
		7	水中 150MM-1M 防護水的浸入 Protected against the effect of immersion in water between 15 centimeters and 1 meter

# INDEX

## 產品索引



### 01 電子鎖 ..... 23

Electronic Locking System



### 02 把手鎖 ..... 31

L Handle Latch



### 03 圓柱鎖 ..... 45

Cylinder Cam Locks



### 04 平面鎖 ..... 83

Latches



### 05 連桿鎖 ..... 119

Rod Control Swing handle



### 06 搭扣、門擋、磁鐵門吸 ..... 129

Draw Latches



# 07 鉸鏈 ..... 159

Hinges



# 08 把手 ..... 223

Handles, Pulls



# 09 夾鉗、滑軌、支撐器、膠條 ..... 251

Clamp, Slide, Door Stay, Gasketing



# 10 可調式把手、旋鈕、螺絲 ..... 263

Adjustable Handles, Knobs, Nuts



# 11 腳座、腳輪 ..... 271

Leveling, Casters



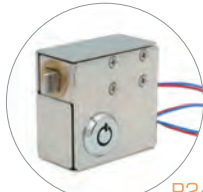
# 12 附件 ..... 285

Accessories



# 01 電子鎖

Electronic Locking System



EMS-782 P24



EMS-864-8-71 P25



EMS-899-1 P27

# 02 把手鎖

L Handle Latch



MS-3240 P31



MS-360 P31



MS-842 P32



MS-859 P32



MS-6150-1 P33



AH-1178A P33



BL-2140-1 P34



MS-2119-1 P34



AH-1300 P35



AH-711 P35



AH-1200 P35



MS-300 P36



MS-400 P36



MS-500 P36



AH-160 P37



BL-2110-3 P37



BL-2114 P38



BL-2118-1 P38



BL-2118-2 P38



AH-52 P39



AHS-1500-LS P39



MS-887-2 P40



MS-868 P40



MS-301-1 P41



MS-302-1 P41



MS-302-2 P41



MS-307 P42



MS-317 P42



MS-317-1A P43

# 03 圓柱鎖

Cylinder Cam Locks



MS-705-1-A P45



MS-705-1-B P46



MS-817 固定間距 P47



MS-817-1A 可調間距 P47



MS-816-3A P48



MS-816-5 P48



MS-845-2 P49



MS-845-3 P49



MS-714-6 P50



MS-3242 P50



MS-773-4 P51



MS-769-3 P51



MS-705-1-SS P52



MS-816-4-SS P52



MS-714-5 P53



MS-714-4 P53



MS-324-3 P54



MS-836 P54



MS-648-3A P55



MS-648-3 P55



MS-816-1-K (WITH LOCKING) P55



MS-816-1-KN (NON-LOCKING) P55



MS-756 P56



MS-657-24 P56



MS-7530 P57



MS-8510S-1 P57



MS-520 P58



MS-520-ZS-1 P58



MS-714 P59



MS-811-2 P59



MS-7360 P60



MS-7362 P60



MS-806-2 P61



MS-817-2 P61



MS-811 P62



MS-823 P62



MS-714-2 P63



MS-714-3 P63



MS-816-1 P64



MS-816-1-6 P64



MS-729-1 P65



MS-803 P65



MS-824-1 P66



MS-743 P66



MS-826 P67



MS-826-7D P67



MS-351 P68



MS-845-7B P68



MS-705-3E P69



MS-705-27 P69



MS-760-5A P70



MS-705-3P-316 P70



MS-734 P71



MS-773 P71



MS-745-1 P72



MS-745-2 P72



MS-758 P72



MS-811-4 P74



MS-815-2 P75



MS-845-5

P76



MS-705-1W2DL  
MS-705-1W2DR

P76



MS-816-1E-1

P77



MS-704

P80

04  
平面鎖

Latches



MS-712

P83



MS-713-2A

P83



MS-818-1A

P85



MS-818-2A

P86



MS-818-3A

P87



MS-818-1-2

P88



MS-200

P89



MS-1208-101-20

P89



MS-717-1

P90



MS-730

P92



MS-843-1

P93



MS-732

P94



MS-861-3

P94



MS-713-B

P95



MS-733-2

P95



MS-732-2B

P96



MS-732-2C

P96



MS-727-1

P97



MS-726-1

P98



MS-731-3

P98



MS-718

P99



MS-718-2B  
帶鎖芯 Locking

P99



MS-718-3CA

P100



MS-718-4CA

P100



MS-860-SS

P101



MS-800

P102



MS-870-SS

P102



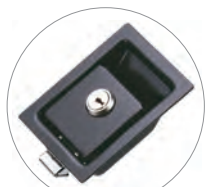
MS-3202

P103



MS-330(附鎖)

P104



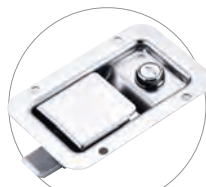
MS-318

P105



MS-866-28 附鎖型

P106



MS-335

P107



MS-729

P107



MS-870-2

P108



MS-723-2

P109



MS-839-1

P110



MS-861-2H

P111



MS-861-4

P111



MS-848-4A

P112



MS-719-1

P112



MS-864-4P

P113



MS-737

P114



MS-834-5P

P114



MS-738-1A

P115

05  
連桿鎖

Rod Control Swing handle



MS-831-1P  
附掛鎖座

P119



MS-831

P119



MS-833

P119



MS-833-1P 附掛鎖座

P119



MS-828-1

P120



MS-828-2

P120



MS-838-1

P120



MS-838-2

P121



MS-840-5-1

P121



MS-861-2E

P122



MS-820-1A

P122



TG-002

P125



TG-006

P125



TG-007

P125



TG-008

P125



TG-003

P126



TG-001

P126



RG-010

P126

06  
搭扣、門擋  
磁鐵門吸

Draw Latches



TS-146

P129



TS-33

P129



TS-17

P130



TS-605

P130



TSL-163-3

P131



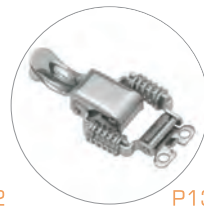
TS-180

P131



TS-602-3B

P132



TSL-3071

P132



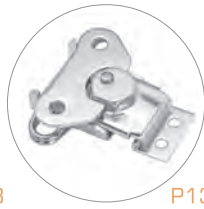
TS-153

P133



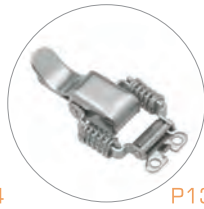
TS-156-1

P133



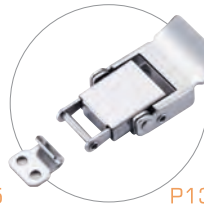
TS-158-1

P134



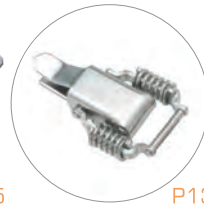
TSL-3061

P135



TS-168-SS

P135



TSL-322

P136



TS-609

P137



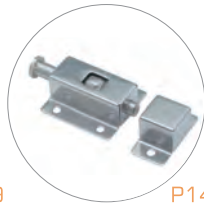
TS-609-UV-1P

P138



MS-725

P139



MS-101-SUS

P140



TS-637

P140



MS-725-5

P141



MS-725-7

P141



TS-619-9

P142



TK-713B

P143



TK-714B

P143



TS-260

P144



TK 系列

P145



TS-614

P145



TS-618-6L

P146



TS-618-7L

P146



TS-618-8L

P147



TS-618-9R

P147



DKS-1(CHROM)

P148



DKS-4(BLACK)

P148



PP-002

P149



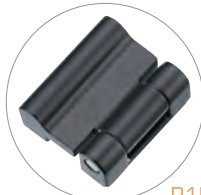
TK-4821

P149



07  
鉸鏈

Hinges



CL-213

P159



CL-195

P159



CL-272

P160



CL-209-1R

P161



CL-209-2R

P161



CL-206-12

P162



CL-206-14B

P162



CL-153

P164



CL-153-XXB

P164



CL-239-4L

P165



CL-239-4R

P165



CL-334-L

P166



CL-334-R

P166



CL-229-1A

P173



CL-226-1S

P173



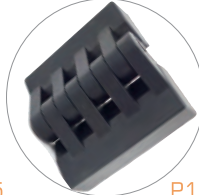
CL-226-4A-1

P174



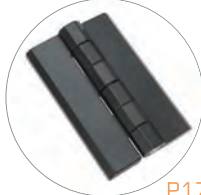
CL-265-1

P175



CL-K80

P175



CL-226-5A

P176



CL-226-6A

P176



CL-209-1

P176



CL-209-3

P176



CL-218 螺柱型

P177



CL-218-2 皿頭孔型

P177



CL-222

P177



CL-226-1

P178



CL-226-1A

P178



CL-208

P179



CL-260

P179



CL-257

P180



CL-250

P180







**09**  
支撐器、膠條  
夾鉗、滑軌

Door Stay / Gasketing  
Clamp / Slide



SL-ST

P251



KS-101-1

P253



KS-80-1

P254



KS-80-2

P254



KS-90-1R

P255



KS-91

P257



KS-90-2R

P257



TH-40325

P259



TH-40326

P259



TH-40323-SS

P260



TH-12050-SS

P260



TH-40324-SS

P261



WT-001

P261



WT-002

P261



WT-009

P262



WT-022

P262



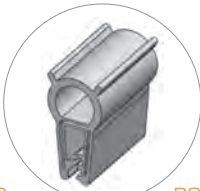
WT-048

P262



WT-050

P262



WT-065

P262

**10**  
可調式把手  
旋鈕、螺絲

Adjustable Handles  
Knobs, Nuts



MS-403

P263



MS-404

P263



MS-405

P264



MS-406

P264



MS-1020

P265



MS-1050

P265



MS-2061

P267



MS-2062

P267



MS-2010

P268



MS-2031

P268



MS-1025

P269



MS-2011

P269

**11**  
腳座、腳輪

Leveling / Casters



TF-A3201 尼龍輪

P271



TF-A3202 尼龍輪

P271



TF-A3203 尼龍輪

P271



TF-A3204 尼龍輪

P271



TF-T3201 電木輪

P271



TF-A3-1-TPU

P272



TF-A3-2-TPU

P272



TF-A3-3-TPU

P272



TF-A25201

P272



TF-A25202

P272



TF-A3-1-PP

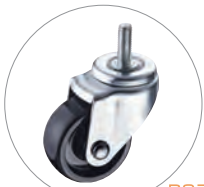
P273



TF-A3-2-PP P273



TF-A3-3-PP P273



TF-A3-4-PP P273



TF-A3-5-PP P273



TF-B5-1 P274



TF-B5-2 P274



TF-B5-3 P274



TF-B5-4 P274



TF-B5-5 P274



TF-01/02 P275



TF-03/04 P275



TM-50F P276



TM-50S P276



TM-65F P276



TM-65S P276



TX-100-1/TX-100-2 P277



TX-101-3 P277



TX-101-1 P278



TX-101-2 P278



TX-102-1 P279



TX-102-2 P279



TX-102-3 P280



TX-103 P280



TX-104-1 P281



TX-105-1 P281



TX-106 P282



TX-35-M8-30 P282



TX-107 P283



12  
附件

Accessories



WP-001 P285



WP-003 P285



WP-007 P285



TX-2014 P286



A3001-SS/ST P286

簡介

Introduction

- 獨立或串連使用  
Used as an independent system or a fully networked system.
- 防護等級：IP65  
Ingress Protection Rating: IP65
- 特製工具及機械鑰匙，可緊急手動開啟  
Lock can be opened manually by a special tool and mechanical key during emergency situation.



電子鎖

Electronic Lock System · Swing Handle

工業標準機櫃與門禁安全系統監控整合

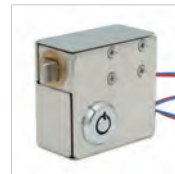
Directly integrates with industry standard rack and access control systems.

內置感應器可檢測門鎖狀態，具監測與警報功能

With built-in sensor that detects lock status for network control, monitoring and alarm function



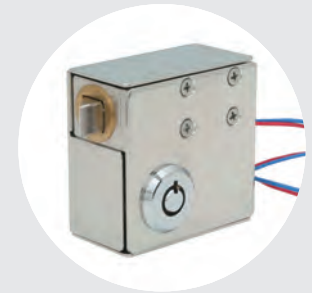
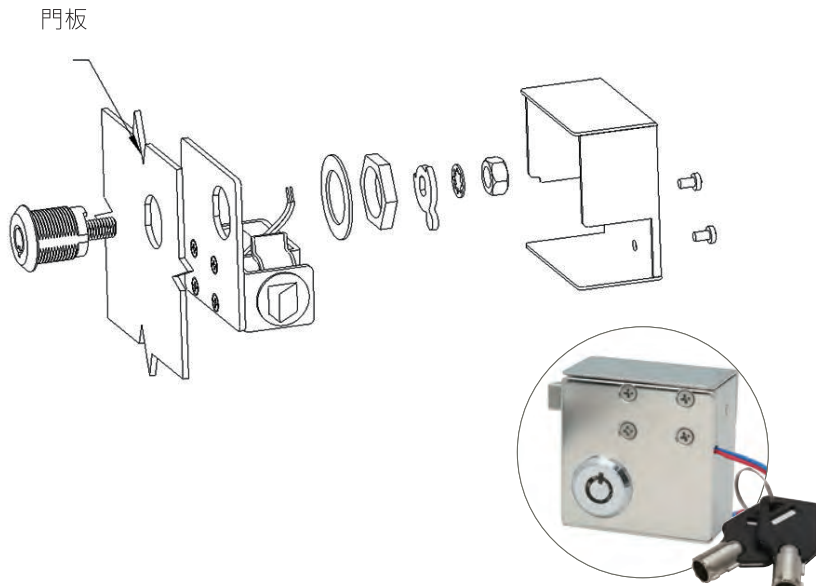
REMOTE ELECTRONIC ACCESS



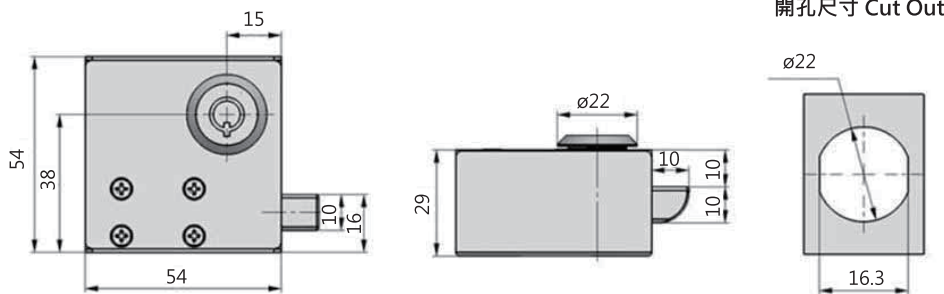
# 電子鎖 · 隱藏安裝

Electronic Lock System · Concealed · Push to Close

- 可訂製 200 組不同號鎖心
- Available In 200 different key combination (Customized)



EMS-782



開孔尺寸 Cut Out

- 適用門板厚度：0.8~4m/m
- Panel thickness：0.8~4m/m

## 操作說明 ( Operation Process )

- 鎖控制線額定電壓 DC12V, 額定電流 300mA ;  
Control wiring of lock has DC12V operating voltage and 300mA operating current
- 紅線為鎖控制線正極 · 黑線 ( 或藍線 ) 為鎖控制線負極 ;  
Red wire is positive control wire. Black (or blue) wire is negative control wire.
- 控制方式 ; 電子鎖可以和各種控制器相連 · 通過控制器來控制鎖的開啟和關閉 · 控制線不供電時鎖關閉 · 通電時開啟電子鎖 · 電子鎖不能長時間通電。  
Control mode; electronic lock can be connected with a variety of controllers to control the on-off mechanism. When the control wire is not powered, the lock goes off. When powered, the lock goes on. The electronic lock cannot be powered for a long period of time.
- 當電子系統失效或停電時 · 可選擇用機械鑰匙開啟。  
When the electronic system fails or in case of power failure, the lock can be opened manually by using a mechanical key.



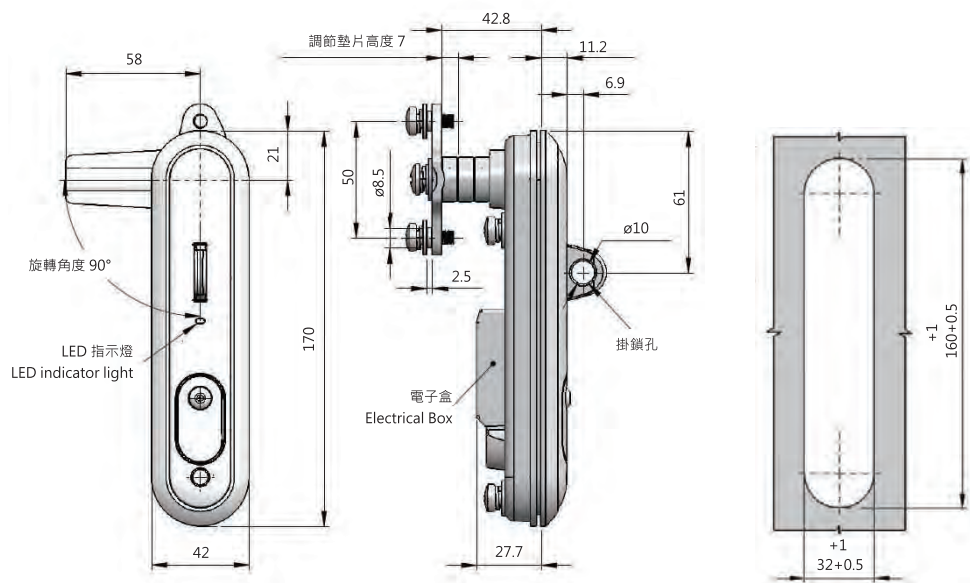
電子鎖 · IP65 防護等級

Electronic Lock System · Swing Handle



EMS-864-8-71

- 材質：鋅合金 - 基座、手柄，不銹鋼擋片，電子盒
- Material : Base and Handle made of Zinc Alloy, Lock Cam and Electrical Box made of Stainless Steel.
- 表面處理：高耐鹽霧黑色基座、手柄；電解擋片
- Surface Treatment : Base and Handle – High salt-spray resistant black finish, Lock Cam – Electrolysis Finish
- 額定電壓：DC12V      • Operating Voltage : DC12V
- 額定電流：≤ 0.3A      • Operating Current : ≤ 0.3A
- 消耗功率：≤ 3.6W      • Power Consumption : ≤ 3.6W
- 手柄承載拉力值：≤ 600N      • Handle Strength : ≤ 600N
- 手柄承載扭矩值：≤ 30N.m      • Handle Torque : ≤ 30N.m
- 附產品規格書
- Supplied with product specification manual
- 工作環境 Operating Environment
- 溫度：-40° c ~ +60° c      • Temperature : -40° c ~ +60° c
- 溼度：5 ~ 90%      • Humidity : 5 ~ 90%
- 海拔：-60m ~ 4000m      • Altitude : -60m ~ 4000m
- 可訂製 200 組不同號鎖心
- Can be custom made with different lock and key combination(over 200 key numbers)



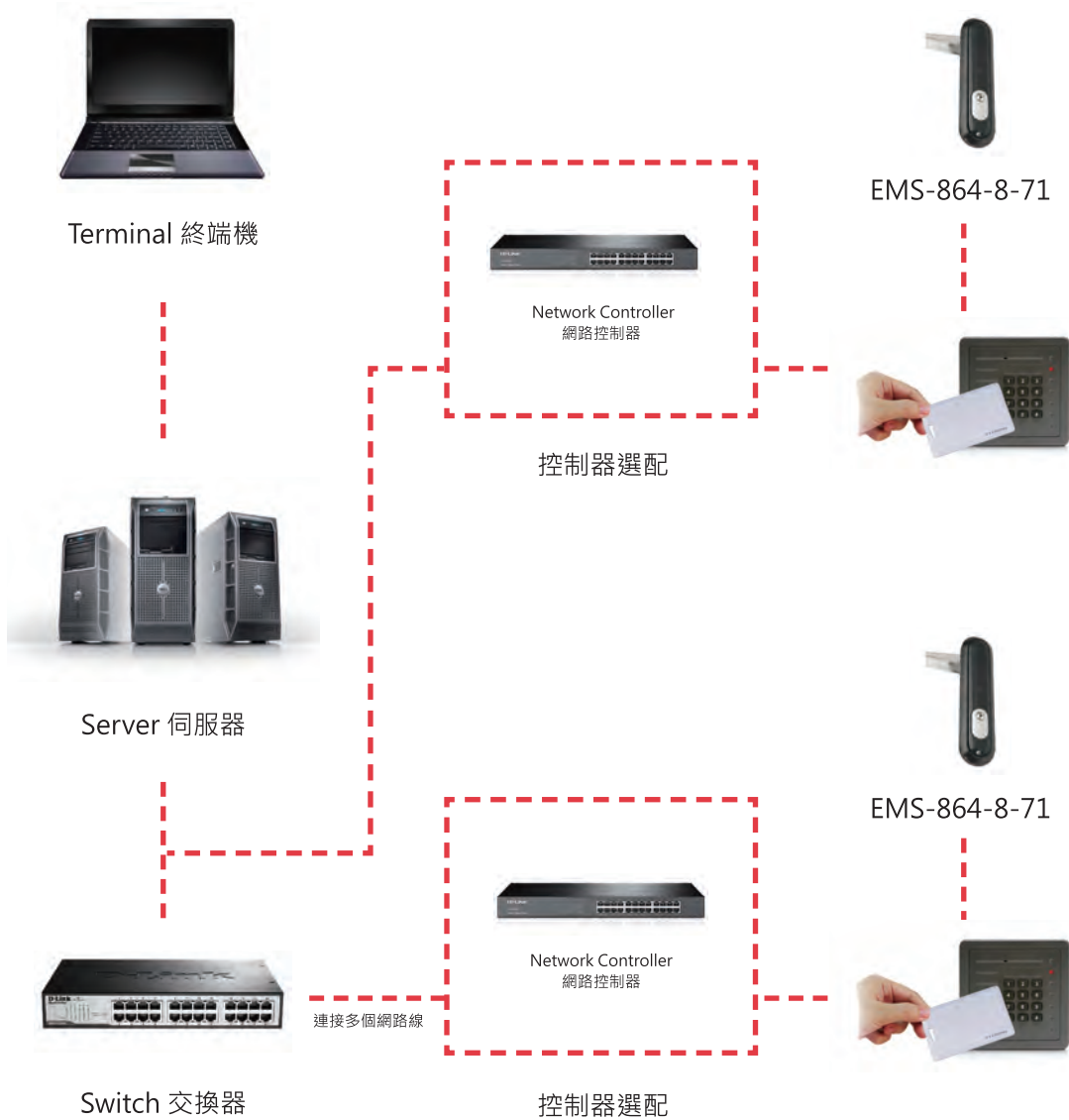
備註：機械鎖芯與電子鎖選配。使用前請詳讀使用說明書

型號 Item No	產品規格 SPEC	備註
EMS-864-8-71	機械鎖芯 · 開關控制 Mechanical Lock Cylinder, On-Off Control	標準品 Standard
EMS-864-8-71P	機械鎖芯 · 開關控制 · 附掛鎖孔	訂製
EMS-864-8-76	機械鎖芯 · DO 控制	訂製
EMS-864-8-79	電子鎖芯 · DO 控制	訂製

### 電子鎖單控模式



### 電子鎖網控 模式



電子鎖 · IP65 防護等級 · 內建訊號輸入器



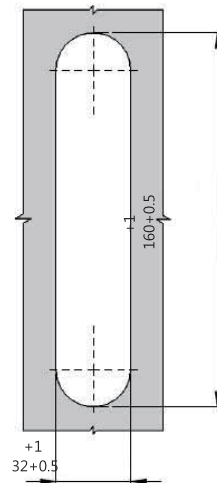
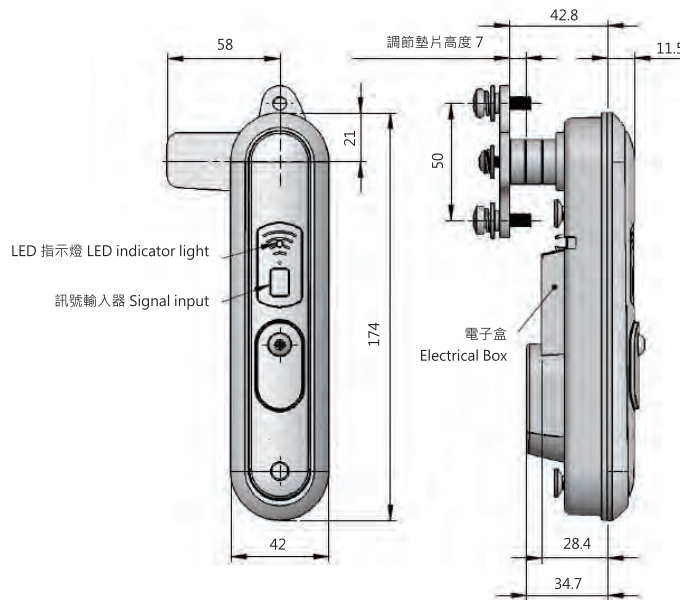
Electronic Lock System · Swing Handle



EMS-899-1



- 材質：鋅合金 - 基座、手柄，不銹鋼擋片，電子盒
- Material : Base and Handle made of Zinc Alloy, Lock Cam and Electrical Box made of Stainless Steel.
- 表面處理：高耐鹽霧黑色基座、手柄；電解擋片
- Surface Treatment : Base and Handle – High salt-spray resistant black finish, Lock Cam – Electrolysis Finish
- 額定電壓：DC12V    • Operating Voltage : DC12V
- 額定電流：≤ 0.25A    • Operating Current : ≤ 0.25A
- 消耗功率：≤ 3.6W    • Power Consumption : ≤ 3.6W
- 手柄承載拉力值：≤ 600N    • Handle Strength : ≤ 600N
- 手柄承載扭矩值：≤ 30N.m    • Handle Torque : ≤ 30N.m
- 工作環境 Operating Environment
- 溫度：-40° c ~ +65° c    • Temperature : -40° c ~ +60° c
- 溼度：5 ~ 90%    • Humidity: 5 ~ 90%
- 海拔：-60m ~ 4000m    • Altitude : -60m ~ 4000m

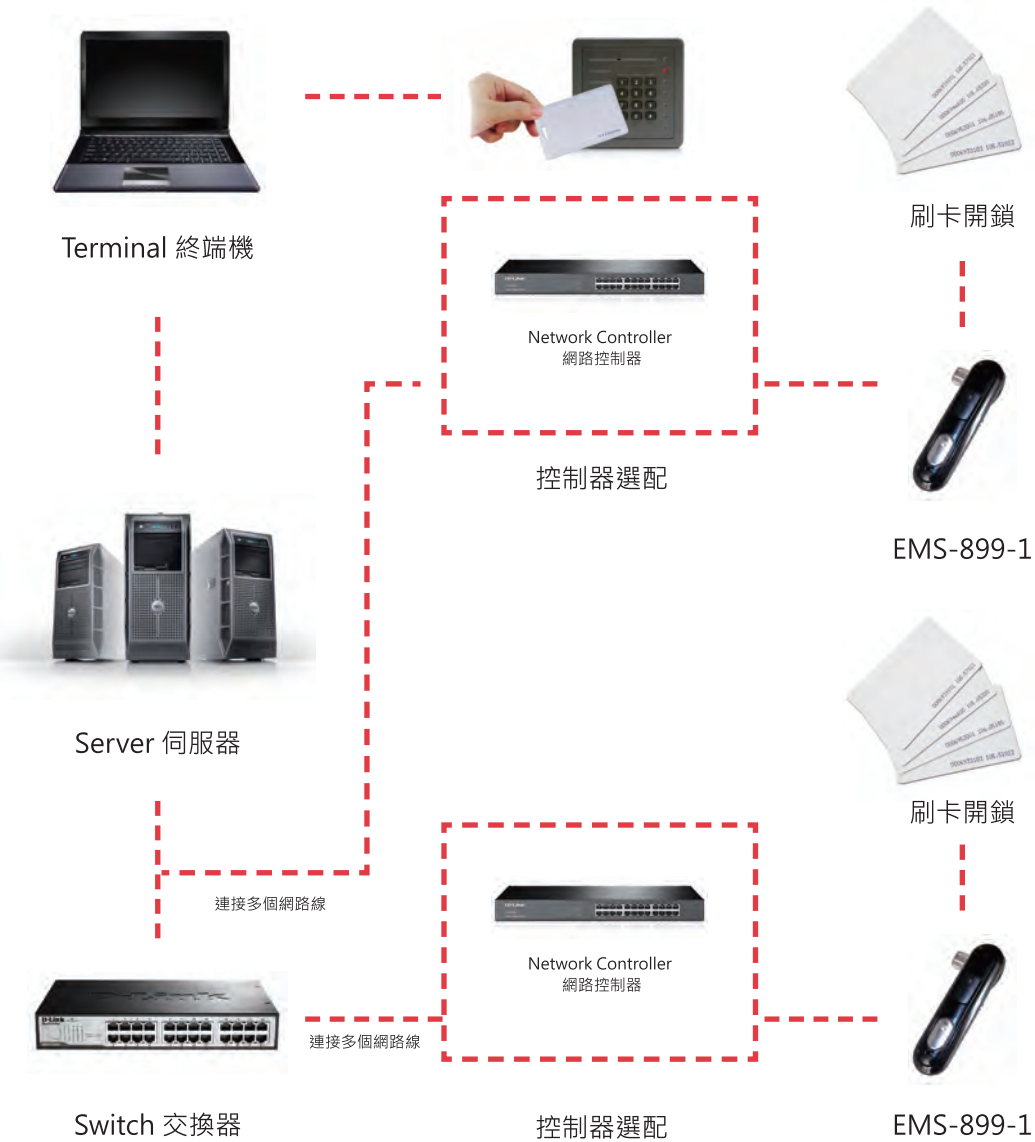


型號 Item No	規格 . SPEC
EMS-899-1	刷卡型 Card Type
EMS-899-1A	藍芽型 Bluetooth Type

### 電子鎖單控模式



### 電子鎖網控 模式



## 無源電子鎖 . IP65 防護等級

### Passive Electronic Lock. IP65



EMS-705  
KEY-EMS-705

- 材質：鋅合金 - 基座；不鏽鋼 - 鎖芯 & 擋片
- 開啟方式：電子鑰匙 (KEY-EMS-705) 解鎖開啟
- 工作溫度：-20°C ~ +60°C
- 電子鎖芯結構，鎖體本身安裝時不需另接電源，故稱為無源電子鎖，開鎖時利用已授權並自帶電源的電子鑰匙開啟。如果使用一般工具或非授權電子鑰匙嘗試開啟，電子鎖心僅能空轉。本產品使用壽命長，無需加裝箱體內電源線配置，大幅縮短組裝時間，克服設備周邊環境不便供電時的應用
- 適用於：戶外監控箱體；MCC 盤；智慧電桿；5G 基站

- Material: Zinc Alloy-Base; Stainless Steel-Cylinder & Cam
- Opening method: electronic key (KEY-EMS-705) to unlock and open
- Working temperature: -20°C ~ +60°C
- Electronic lock cylinder structure, the lock body itself does not need to be connected to a power supply during installation, so it is called a passive electronic lock.

When unlocking, use an authorized electronic key with its own power supply to open.

If someone try to open it with ordinary tools or unauthorized electronic key, the electronic lock cylinder just only run idly.

This lock has a long service life and does not need to install the power cord configuration in the box, which greatly shortens the assembly time and overcomes the inconvenience of power supply in the surrounding environment of the equipment. Managers no longer need to carry a large number of keys, which is convenient for centralized management.

- Applicable to: outdoor box; MCC panel; smart pole; 5G base station

### 電子鎖鑰匙 KEY-EMS-705

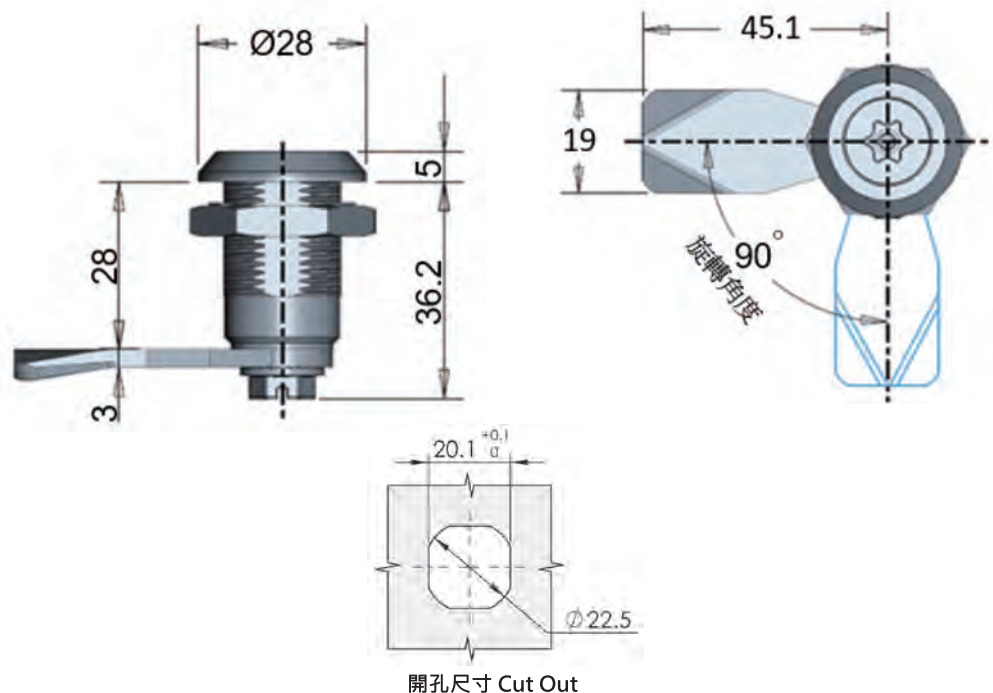
- 工作電壓：DC3.7V
- 充電電壓：DC5V
- 工作電流：< 0.5A
- 當電子鑰匙低電量時，以 micro USB 傳輸接頭即可進行充電。

#### Electronic key.

- Working voltage: DC3.7V
- Charging voltage: DC5V
- Working current: <0.5A
- When the power of the electronic key is low, it can be charged with the micro USB transfer connector.



充電示意  
Charging by micro USB





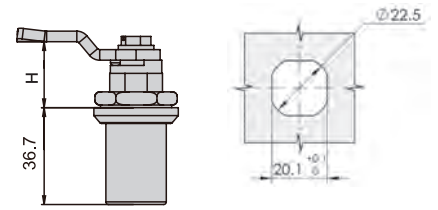
# 手柄型把手鎖防水

## L Handle Latch - Waterproof



MS-3240

- 材質：手柄 & 鎖體 - 鋅合金黑色塗裝或不銹鋼、擋片 - 鋼鐵鍍鋅
- Material : Handle&Body-zinc alloy or stainless steel 304 , Cam-steel zinc plated
- 適用板厚 :1~6m/m • Panel thickness:1~6m/m
- 使用外定位擋片
- 最大靜載荷：230N • Maximum Static Load: 230N
- 最大輸入扭矩：20N.m • Maximum Input Torque : 20N.m



開孔尺寸 Cut Out



鑰匙 key

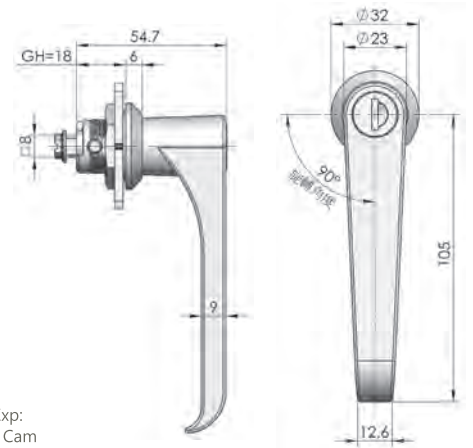
型號 Item No	材質 Material
MS-3240	鋅合金 ( 常規 ) zinc alloy
MS-3240-SS	不銹鋼 304 Stainless 304

擋片型號 CAM CODE	擋片深 (H)CAM DEPTH
DS1B4500	18
DS1B4507	25
DS1B4516	35

單位：(mm)

訂購範例 Order Exp:  
主體 Body+ 擋片 Cam  
MS-3240+DS1B4500



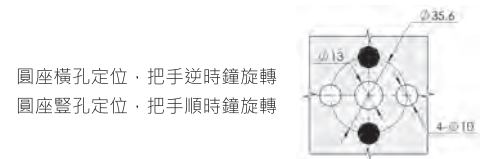
# 把手鎖 · 厚門用 · 間距可調

## L Handle Latch. Adjustable grip

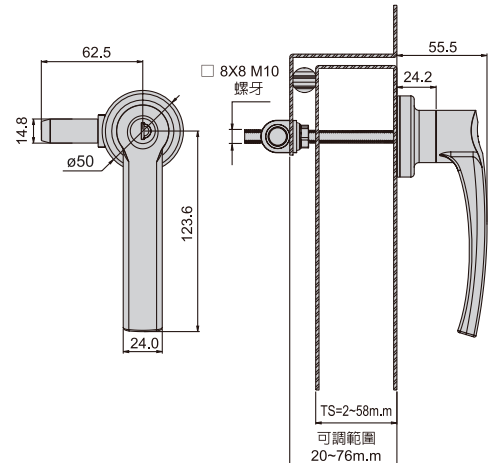


MS-360

- 材質：主體 - 尼龍玻纖、轉軸 - 鐵鍍鋅
- Material : Body-PA6+GF30 ,zinc plated steel shaft
- 適用於厚門板：擋片上安裝尼龍滾輪，易旋轉開啓及關閉，門框及擋片不刮傷，可調整擋片間距，左右開門共用
- Suitable for heavy duty door, adjustable grip cam latches.install nylon round cam,easy to open & close. Use for right and left opening door.



開孔尺寸 Cut Out

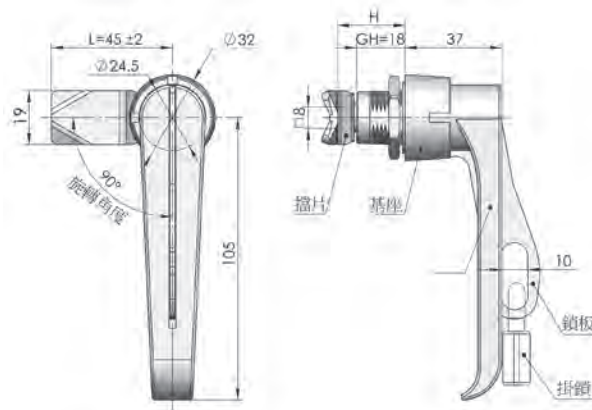
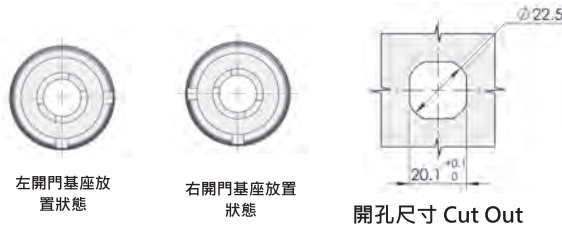


# 手柄型防水門把 (掛鎖式)



## L Handle Latch – Waterproof (Padlockable)

- 材質：主體、手柄 - 鋅合金、掛鎖板 - 不銹鋼
- Material：Body, Handle - zinc alloy  
Lock panel - stainless steel 304
- 表面處理：主體、手柄 - 黑色塗裝
- S.Tr：Body, Handle - black painted
- 防盜性加強
- 使用內定位擋片
- 最大靜載荷：270N
- Maximum Static Load：270N
- 最大輸入扭矩：25N.m
- Maximum Input Torque：25N.m



訂購範例 Order Exp:  
主體 Body+ 擋片 Cam  
MS-842+S1B4500

單位：(mm)



擋片 (選配) Cam Selection	
擋片型號 CAM CODE	擋片深 (H) CAM DEPTH
S1B4500	18
S1B4507	25
S1B4516	35



MS-842



MS-842-SS

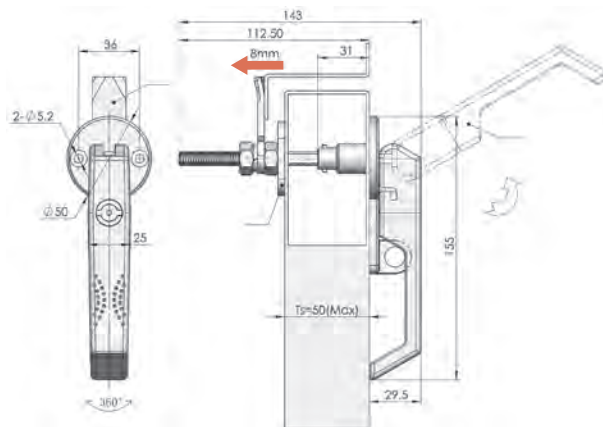
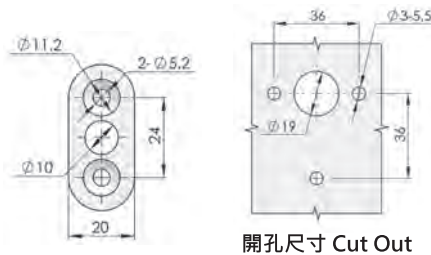
型號 Item No	材質 Material
MS-842	鋅合金 (常規) zinc alloy
MS-842-SS	不銹鋼 304 Stainless Steel 304

# 壓縮迫緊型把手鎖 (附掛鎖座)



## L Handle Latch – Compression (Padlockable)

- 材質：手柄 - 尼龍玻纖、基座 - 鋅合金、鎖芯轉軸 - 鐵鍍鋅
- Material：Handle - Nylon fiberglass, zinc alloy housing, zinc plated steel shaft
- 適用於厚型門板，可調擋片間距，左右開門共用
- Suitable for heavy duty door, adjustable cam depth, Use for right and left opening door.
- 標配 1PC 工具型鑰匙 (KE06.K15.01)
- 手柄承載拉力 ≤ 105N
- Handle Strength ≤ 105N
- 最大靜載荷：220N
- Maximum Static Load：220N
- 最大輸入扭矩：20N.m
- Maximum Input Torque：20N.m



鑰匙 key  
K15-01



MS-859

## 迫緊壓縮式把手鎖

### Over-Center Lever LATCH · Compression



MS-6150-1(附鎖)



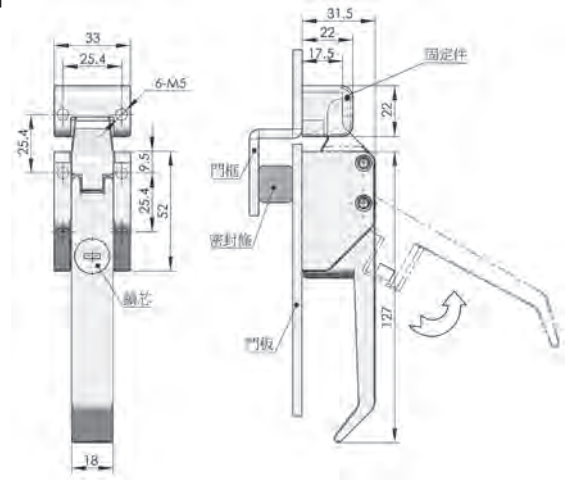
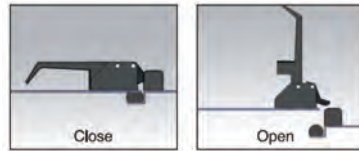
MS-6150-2(無鎖)

- 材質：鋅合金或不銹鋼
- Material : Zinc Alloy or Stainless steel 304
- 表面處理：黑色、亮鉻
- S.Tr : Black powder coated · Bright chrome plated
- 最大靜載荷：910N
- Maximum Static Load : 910N



MS-6150-2-SS  
(全不銹鋼)

MS-6150-2-CR  
(亮鉻)



型號 Item No	材質 Material	黑色塗裝 Black powder coated	亮鉻 Bright chrome plated	全不銹鋼 Stainless 304
附鎖型 Locking		MS-6150-1	MS-6150-1-CR	MS-6150-1-SS
無鎖型 Non-Locking		MS-6150-2	MS-6150-2-CR	MS-6150-2-SS

## 冷凍庫安全把手

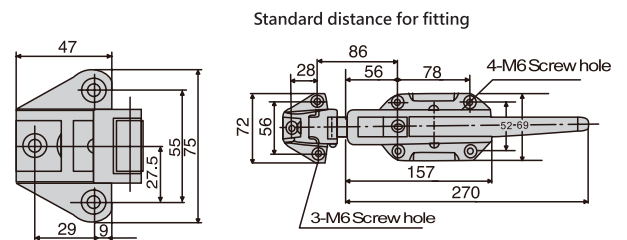
### Edgemoat Latch · Inside Release Handles



- 材質：鋅合金
- Material : Zinc Alloy
- 表面處理：鍍鉻
- S.Tr : Bright chrome plated
- 把手主體、扣座、安全按壓桿，需分開訂購



AH-1178A



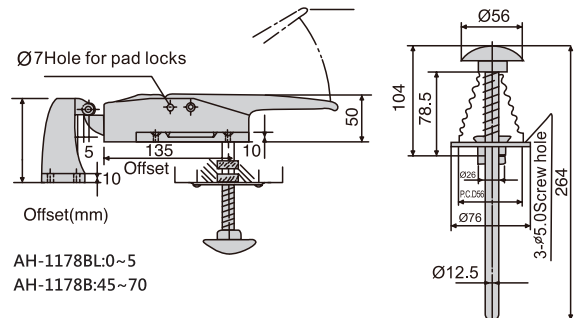
高扣座  
AH-1178B

平扣座  
AH-1178BL



鑰匙 KEY

安全按壓桿  
AH-1178C



AH-1178BL:0~5  
AH-1178B:45~70

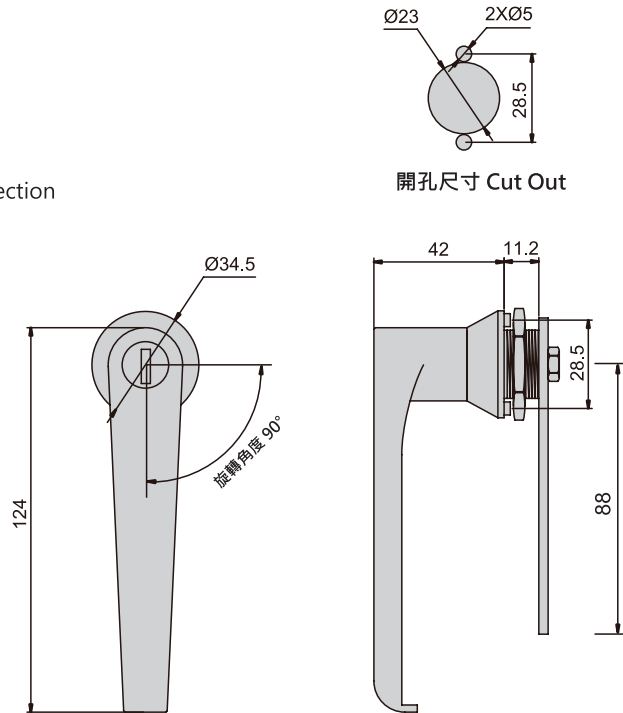
訂購範例 Order Exp:  
AH-1178A+B+C

# 不銹鋼 L 型把手

Stainless steel · L Handle Lock



- 材質：不銹鋼 316
- Material: Stainless steel 316
- 表面處理：鏡面拋光
- S.Tr: Bright polishing
- 改變擋片安裝方向，可左右開門通用
- Set up the handle lock for left or right opening door by changing the cam direction at the back.



## 把手鎖

L HANDLE LATCH



BL-2140-1



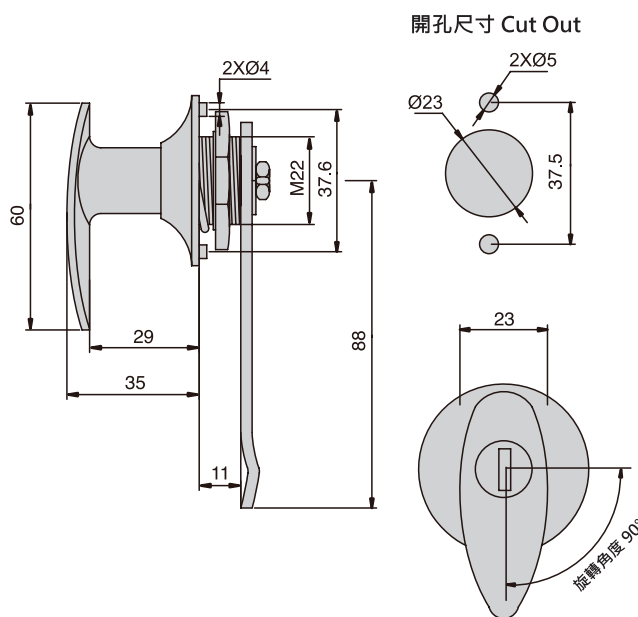
BL-2140-2

# 不銹鋼 T 型把手

Stainless steel · Oval Coin Shaped Handle Lock



- 材質：不銹鋼 304
- Material: Stainless steel 304
- 表面處理：鏡面拋光
- S.Tr: Bright polishing
- 改變擋片安裝方向，可左右開門通用
- Set up the handle lock for left or right opening door by changing the cam direction at the back.



MS-2119-1



MS-2119-2

## 冷凍庫門把手

### Edgemount Latch · Compression

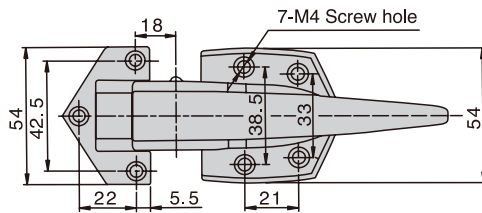
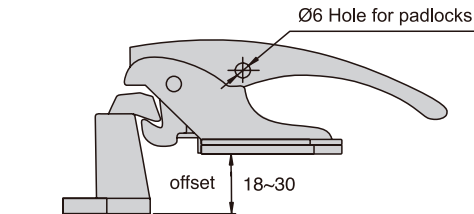


AH-1300

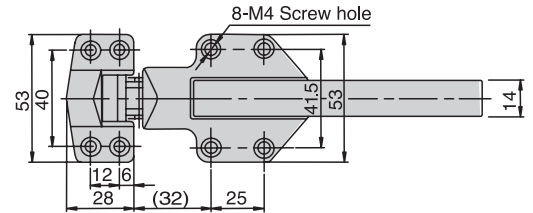
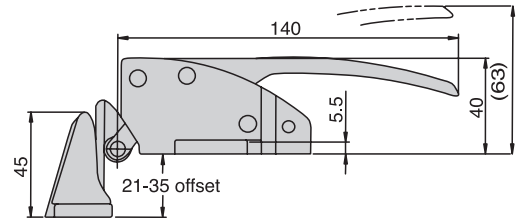


AH-711

- 材質：鋅合金
- Material : Zinc Alloy
- 表面處理：鍍鉻
- S.Tr: Bright chrome plated



AH-1300



AH-711

## 冷凍庫邊門把手

### Edgemount Mechanical Latches



AH-1200

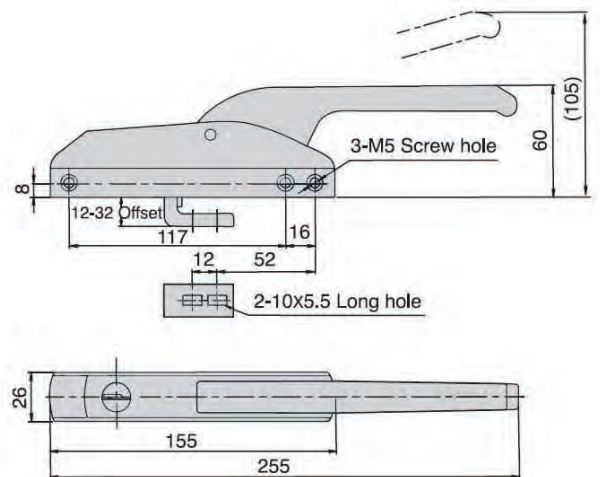
- 材質：鋅合金
- Material: Zinc Alloy
- 表面處理：鍍鉻
- S.Tr: Bright chrome plated



扣座



鑰匙 key



# 不銹鋼防水把手

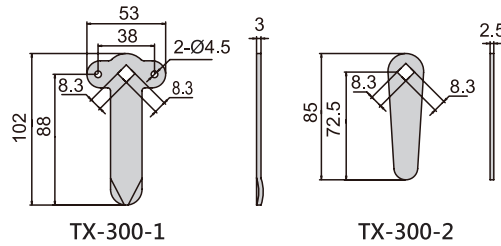
## Stainless Steel L Handle Lock



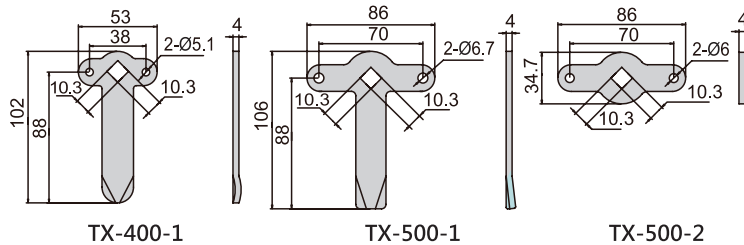
### 把手鎖

### L HANDLE LATCH

- 材質：不銹鋼 316
- Material : Stainless steel 316
- 表面處理：鏡面拋光
- S.Tr : Bright polishing
- 改變擋片安裝方式，可左、可右開門通用
- Set up the handle lock for left or right opening door by changing the cam direction at the back.
- 適用於戶外型配電盤
- Specific use : Power/distribution and control boards



擋片型式 Cam-Type  
MS-300 適用



擋片型式 Cam-Type  
MS-400&MS-500 適用



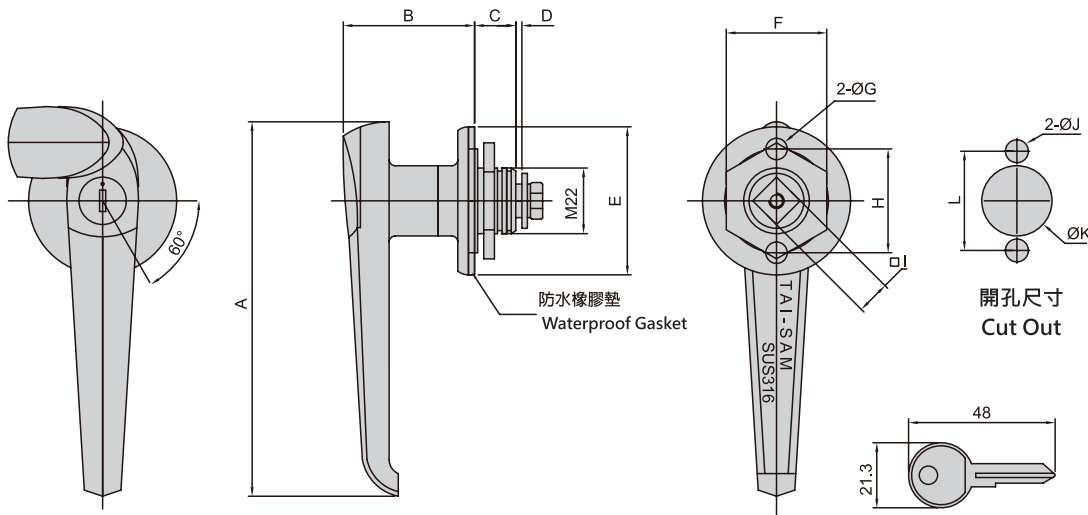
MS-300



MS-400



MS-500



單位 : (mm)

型號 Item No	A	B	C	D	E	F	G	H	I	J	K	L
MS-300	120	45	14.8	2	48	32	7	32.5	8	7.5	23	32.5
MS-400	134	45	14.8	2.5	54.5	32	8	40	10	9	23	40
MS-500	150	47.5	21	8	60	34.5	8	40	10	9	23	40

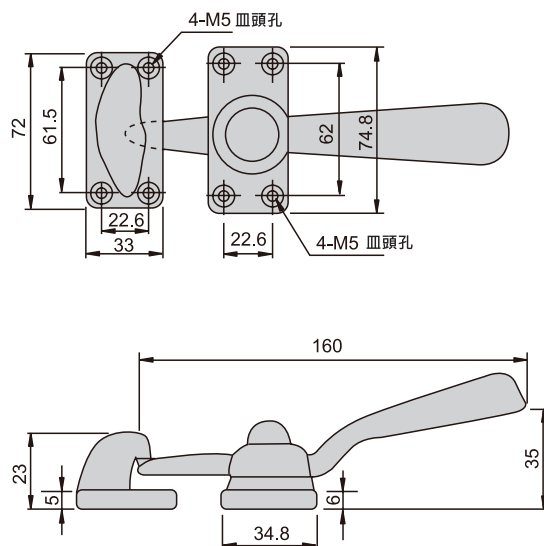
## 不銹鋼壓縮型把手

Stainless Steel Air tightness Handle



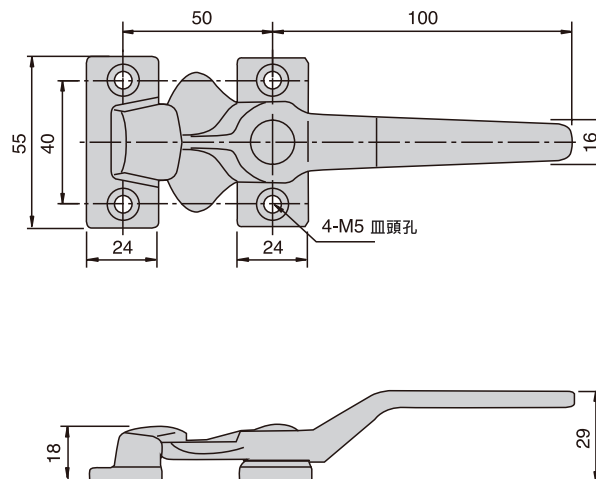
AH-160

- 材質：不銹鋼 304
- Material : Stainless steel 304
- 表面處理：振動研磨
- S.Tr : Vibration ground
- 適用於左開門



BL-2110-3

- 材質：不銹鋼 304
- Material : Stainless steel 304
- 表面處理：鏡面拋光
- S.Tr: Bright polish finish



# 不銹鋼壓縮型把手

Stainless Steel Air tightness Handle

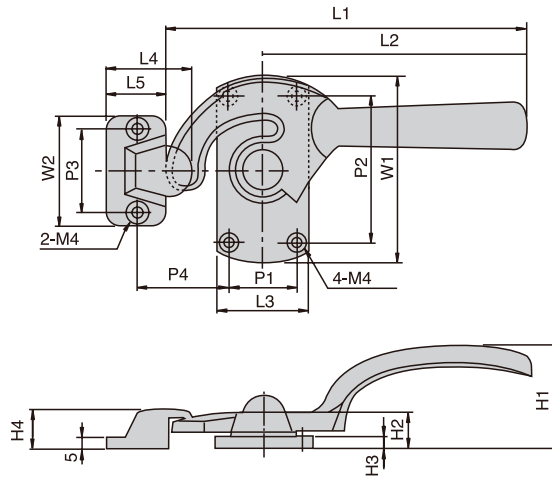


## 把手鎖

L HANDLE LATCH

### BL-2114 系列

- 材質：不銹鋼 316
- Material : Stainless steel 316
- 表面處理：鏡面拋光
- S.Tr: Bright polish finish
- 有左右開門區分



單位:(mm)

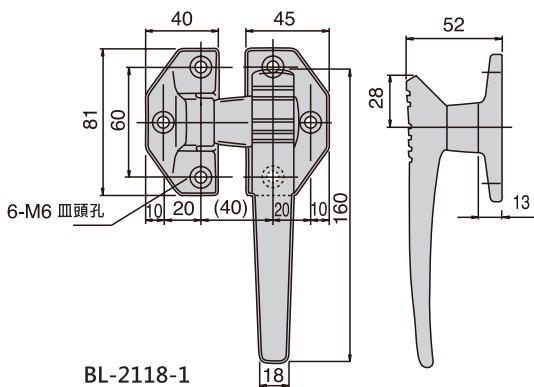
型號 ITEM No.	重量 (g)	L1	L2	L3	L4	L5	W1	W2	P1	P2	P3	P4	H1	H2	H3	H4	M	裝箱數
BL-2114-2 L R 左右	290	140	109	40	35	24	80	50	25	52	34	34	43	14	5	18	M4	40
BL-2114-3 L R 左右	210	125	98	32	32	23	65	50	22	43	35	30	37	14	5	17	M4	50
BL-2114-4 L R 左右	160	110.6	84	30	30	20	60	45	20	40	32	28	34.5	13	5	14.5	M4	80



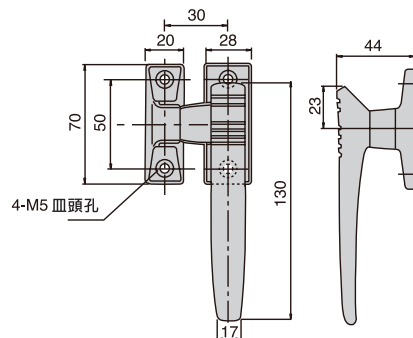
BL-2114

### BL-2118 系列

- 材質：不銹鋼 316
- Material : Stainless steel 316
- 表面處理：鏡面拋光
- S.Tr : Bright polish finish
- 變換主體後方止動片方向，可改變把手開啟方向，左右共用
- You can change the swinging direction of the handle to left or right by changing the position of the rear metal plate



BL-2118-1



BL-2118-2



BL-2118-1



BL-2118-2

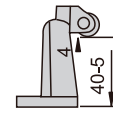
## 不銹鋼壓縮型把手

### Stainless Steel Air Tightness Handle

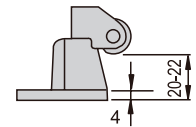


AH-52(主體)

- 材質：不銹鋼 304
- Material : Stainless steel 304
- 表面處理：振動研磨
- S.Tr: Vibration Polishing
- 抗腐蝕，扣件有兩種高度可選配，可微調扣座高度
- We can supply two types of door strike. Door strike has adjustable roller.
- 另有拋光製品可供訂製
- Also available in Bright polish finish



AH-52-A  
高扣座



AH-52-B  
平扣座

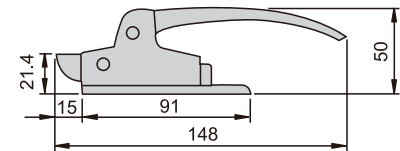
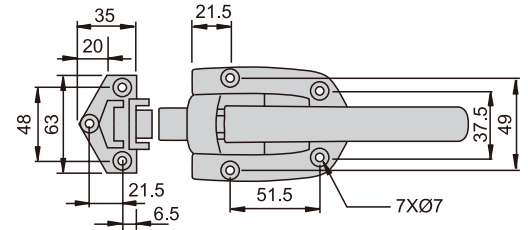


AH-52-A  
高扣座

AH-52-B  
平扣座

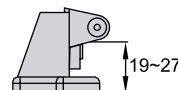
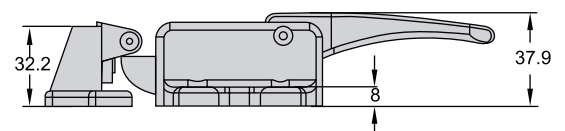
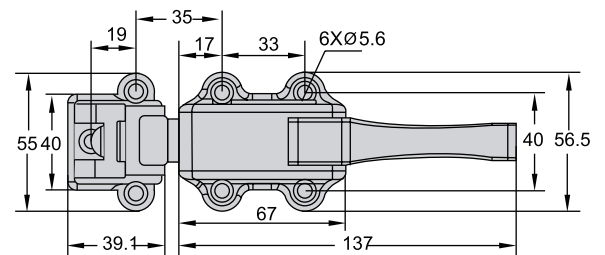
訂購範例 Order Exp:

主體 AH-52	+	高扣座 AH-52-A
		平扣座 AH-52-B



AHS-1500-LS

- 材質 & 表面處理：不銹鋼 304，震動研磨拋光。
- Material&Finish : Stainless steel 304 , Vibration Polishing
- 內置強力彈簧，防止因震動而引起的意外開啟。
- Prevent accidental opening due to shock or vibration.
- 拉起手柄，解除壓縮並開啟門板。
- Pull handle to open the door.
- 撞擊式關閉，可將門板直接推回，卡榫斜面設計，可直接將門關上。
- With slanted latch bolt shape that allows the door to lock into place when pushed to close.
- 外鎖式安裝，解決無法由內部鎖入安裝的困擾。
- Direct external installation.
- 適用於：工程車輛，食品設備，空調系統，工業用機櫃，工業設備。
- Suitable for : Engineering vehicles, food equipment, air-conditioning systems, industrial cabinets, industrial equipment.



# 鋁合金把手鎖 · 附掛鎖座

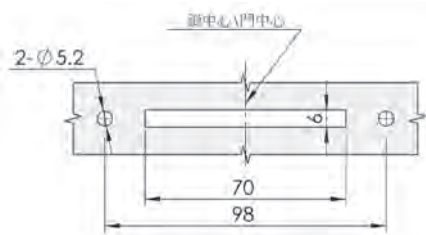
## Aluminum Alloy Air Tightness Handle



把手鎖

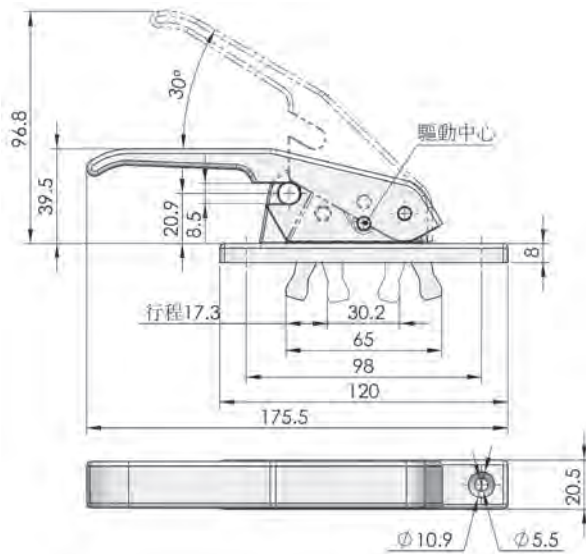
L HANDLE LATCH

- 材質：把手、主體 - 鋁合金，鐵製鋼栓
- Material : Body - Aluminum Alloy, Cam – Steel
- 表面處理：把手、主體 - 噴塑 (藍灰)，擋片 - 鍍鋅
- S. Tr : Body - Blue Grey Finish, Cam – Zinc Plated
- 手柄承載拉力：100N
- Handle Strength : 100N
- 拉動手柄，帶動內部鋼栓上下連動



開孔尺寸 Cut Out

註：該鎖的傳動部分，由客戶根據櫃門的設計結構自行設計完成



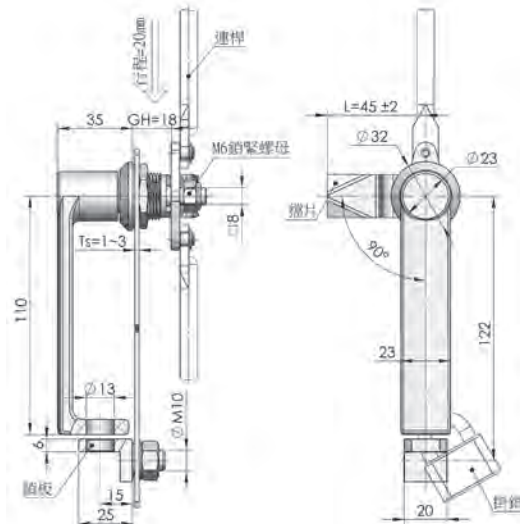
MS-887-2



- 材質：把手、鎖板、主體 - 鋁合金，擋片 - 鐵製
- Material: Aluminum Alloy, Steel Cam
- 表面處理：把手、鎖板、主體 - 噴塑 (消光黑)，擋片 - 鍍鋅
- S. Tr : Body - Matt Black Finish, Cam – Zinc Plated
- 最大靜載荷：270N
- Maximum Static Load: 270N
- 固定螺母的推薦扭緊力矩：20N.m



開孔尺寸 Cut Out



MS-868

鑰匙 · 按鈕 · 附掛鎖座 · 多種開啟方式

KEYLOCKING TYPE/ PUSH BUTTON TYPE / PADLOCKABLE TYPE



MS-301-1



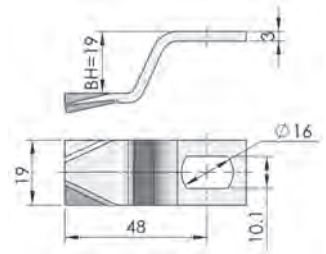
MS-302-1



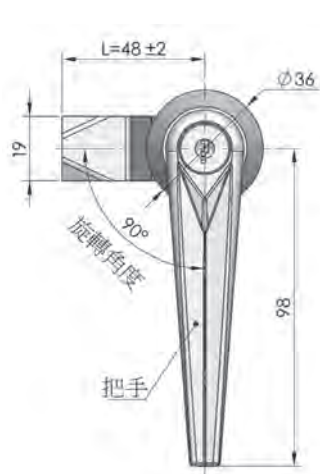
MS-302-2

- 材質：主體 & 把手 - 鋅合金 · 擋片 & 按鈕 & 轉軸 - 鐵製 · 蓋子 - ABS
- Material: Zinc Alloy Body, Steel Cam, ABS Cover
- 表面處理：主體 & 把手 - 鍍鉻 · 擋片 - 鍍鋅
- S. Tr : Body - Chrome Plated Finish, Cam – Zinc Plated
- 最大靜載荷：220N
- Maximum Static Load: 220N
- 最大輸入扭矩：15N.m
- Maximum Input Torque: 15N.m
- 固定螺母推薦扭緊力矩：20N.m

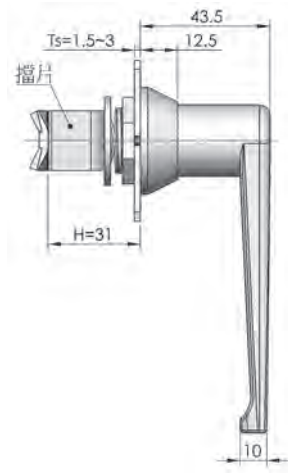
選配組件



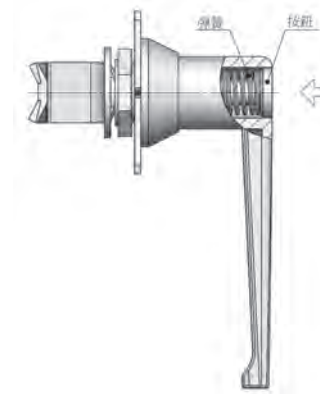
擋片



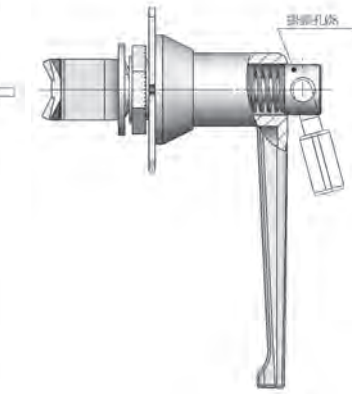
MS-301-1



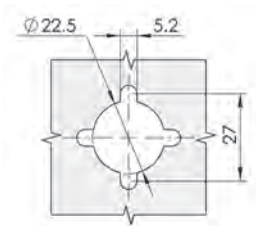
MS-301-2



MS-302-1

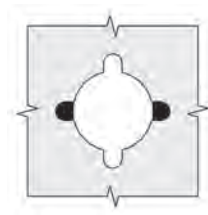


MS-302-2

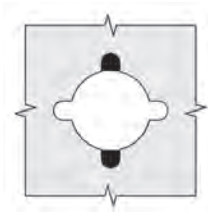


開孔尺寸 Cut Out

型號 Item No	規格 . SPEC
MS-301-1	帶鎖芯 Locking
MS-301-2	無鎖芯 Non Locking
MS-302-1	按鈕型 Push Button Type
MS-302-2	掛鎖型 Padlock Type



左開門安裝



右開門安裝

# 鋅合金把手鎖 · 附鎖芯防塵蓋 · 防水

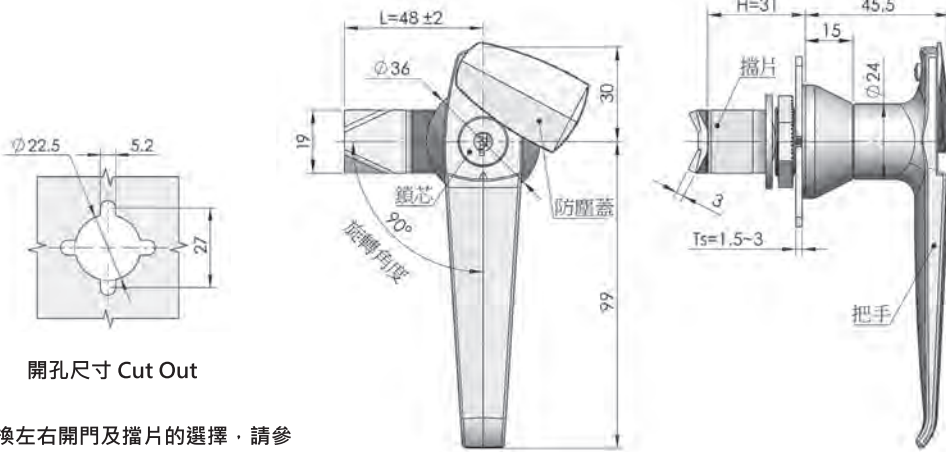
Zinc Alloy Handle lock



## 把手鎖

L HANDLE LATCH

- 材質：把手 & 主體 - 鋅合金 · 擋片 - 鐵製
- Material : Body - Zinc Alloy, Cam - Steel
- 表面處理：把手 & 主體 - 鍍亮光鉻 · 擋片 - 鍍鋅
- S. Tr : Body - Bright Chrome Finish, Cam - Zinc Plated
- 最大靜載荷：220N
- Maximum Static Load : 220N
- 最大輸入扭矩：15N.m
- Maximum Input Torque: 15N.m
- 固定螺母推薦扭緊力矩：20N.m



開孔尺寸 Cut Out

註：變換左右開門及擋片的選擇，請參照 MS-301-1 範本說明



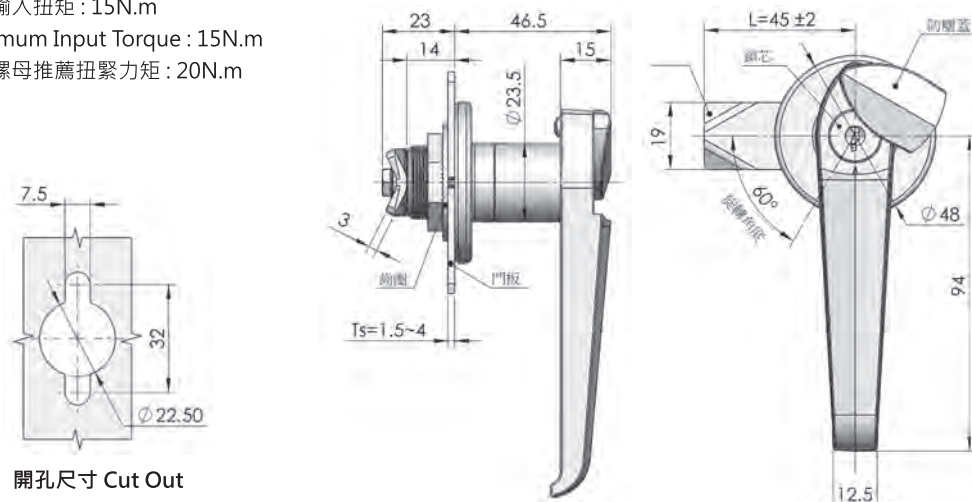
MS-307



- 材質：把手、主體、鎖芯 - 鋅合金 · 擋片、齒圈 - 鐵製
- Material : Zinc Alloy with Steel Cam
- 表面處理：鍍亮光鉻
- S. Tr : Bright Chrome Finish
- 最大靜載荷：140N
- Maximum Static Load : 140N
- 最大輸入扭矩：15N.m
- Maximum Input Torque : 15N.m
- 固定螺母推薦扭緊力矩：20N.m



左旋開啟基座放置狀態      右旋開啟基座放置狀態



開孔尺寸 Cut Out



MS-317



# 迫緊壓縮式把手鎖 . 外部鎖入型

## Over Center Compression Latch



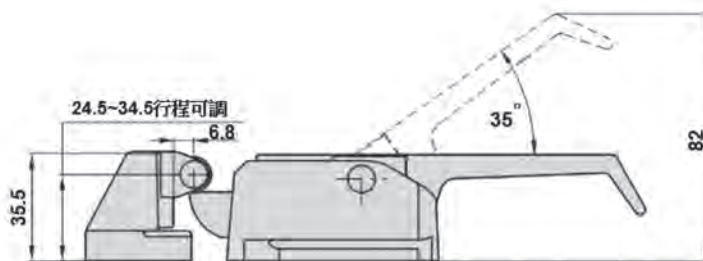
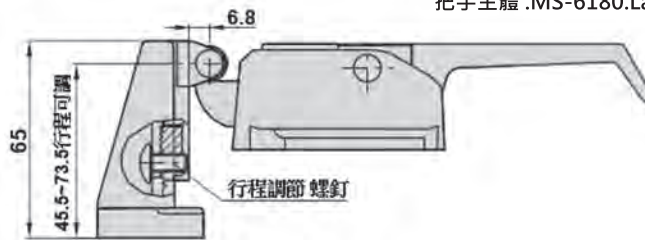
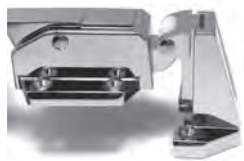
把手鎖

L HANDLE LATCH

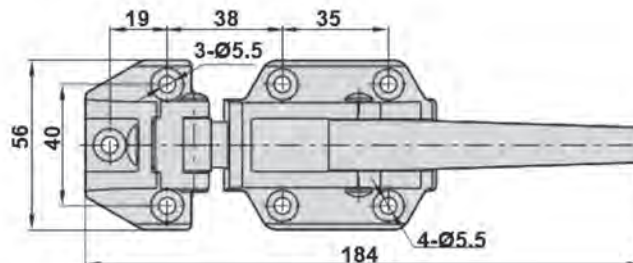
- 材質: 鋅合金
- Material: Zinc Alloy
- 表面處理: 亮鉻
- S.Tr: Bright chrome plated
- 左右開門共用
- Right and Left Side Opening

MS-6180-A. 高扣座 .High Keeper

把手主體 .MS-6180.Latch

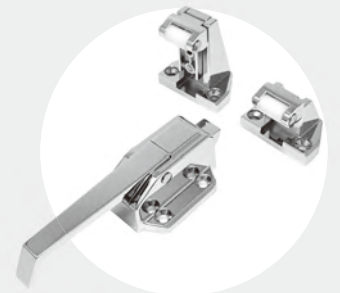


MS-6180-B. 平扣座 .Flat Keeper



訂購範例 Order Exp: MS-6180+MS-6180-A  
需要寫明扣座型號 Need to write the item no. of Keeper

型號 Item No	單重 (g)Weight
MS-6180	320
MS-6180-A	202
MS-6180-B	133



MS-6180



扣座高度微調

Adjust height of keeper

# 圓柱鎖 · 工具鑰匙開啟

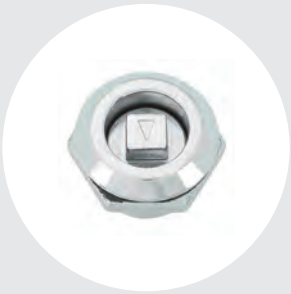
## Quarter Turn Latches



MS-705-1-A



MS-705-3-A



MS-705-4-A



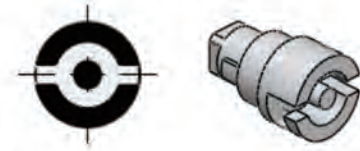
MS-705-5-A



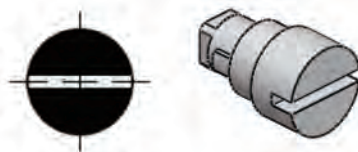
MS-705-8-A

### MS-705 系列

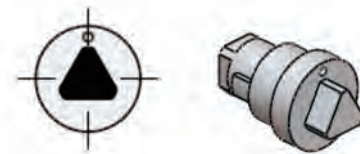
- 材質：鋅合金
- Material : Zinc Alloy
- 表面處理：亮鉻、黑色塗裝
- S.Tr : Bright chrome plated, black powder coated
- 最大靜載荷：270N
- Maximum Static Load : 270N
- 固定螺母建議擰緊力矩：20N.m
- Fixed Nut Recommended Tightness : 20N.m
- 最大輸入扭矩：9N.m
- Maximum Input Torque : 9N.m



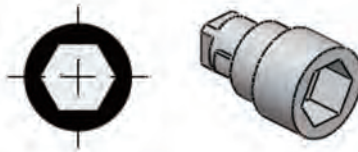
S 型 (D=4)



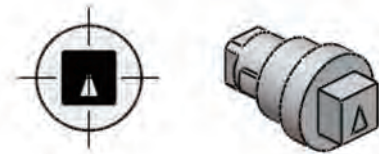
一字槽



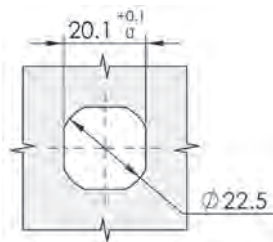
8mm 三角型



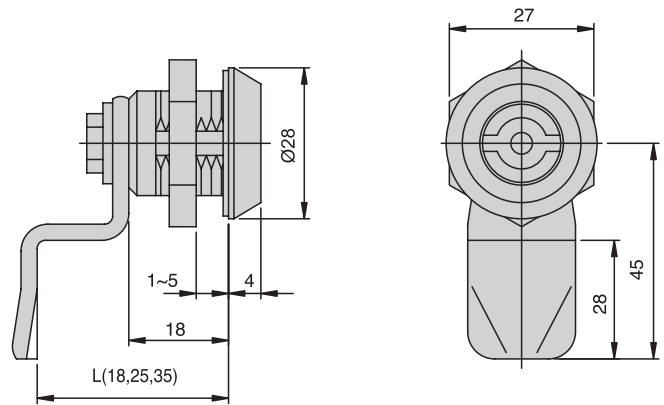
10mm 內六角型



8X8mm 四角型



開孔尺寸 Cut Out



訂購範例 Order Exp:  
鎖芯 + 鑰匙 + 擋片  
Cylinder Type+ Key+ Cam Selection  
MS-705-1-A+ K15-01+S1B4500

擋片 (選配) Cam Selection		鎖芯樣式 (Cylinder Type)	亮鉻 (Chrome)	黑 (Black)	鑰匙 (Key)
擋片型號 CAM CODE	擋片深度 H CAM DEPTH	S 型 4mm	MS-705-1-A	MS-705-1-B	K15-01
S1B4500	18	三角型 8mm	MS-705-3-A	MS-705-3-B	K15-03
S1B4507	25	四角型 8x8mm	MS-705-4-A	MS-705-4-B	K15-04
S1B4516	35	內六角型 10mm	MS-705-5-A	MS-705-5-B	K15-07
		一字槽型	MS-705-8-A	MS-705-8-B	硬幣 or 一字起子

單位：(mm)

# 圓柱鎖 · 工具鑰匙開啟

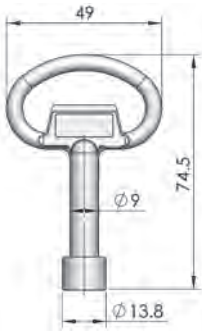
## Quarter Turn Latches



### 圓柱鎖

QUARTER TURN TUBULAR LOCKS

CYLINDER CAM LOCKS



鑰匙 KEY



K15-01



K15-03



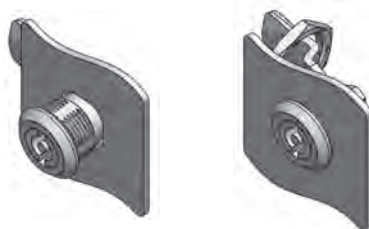
K15-04



K15-07



安裝示意圖



選配組件 Optional



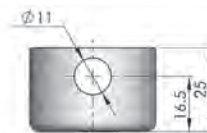
取手 TX-2014



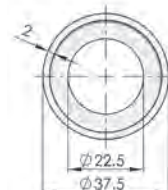
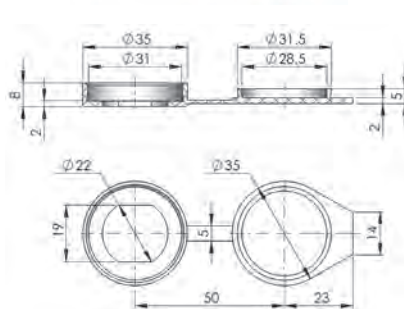
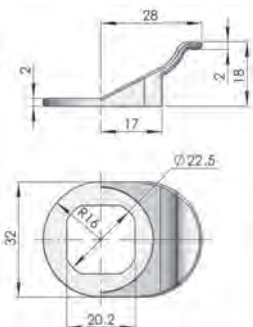
防水蓋 WP-001



掛鎖座  
A-3001-SS  
A-3001-ST



MS-705-5-B



MS-705-8-B



MS-705-1-B



MS-705-3-B



MS-705-4-B



MS-705-5-B



MS-705-8-B

# 防水 · 壓縮 · 工具鑰匙開啟

## Quarter Turn Compression Latch



### MS-817 系列

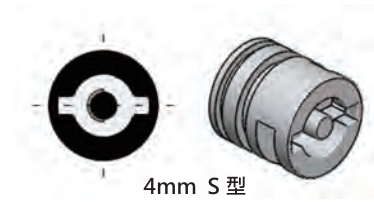
- 材質：鋅合金 • Material: Zinc Alloy
- 表面處理：黑色塗裝 • S.Tr: Black powder coated
- 門擋迫緊行程：7m/m • Compression: 7m/m
- 適用門板厚度：1~17m/m • Panel thickness: 1~17 m/m
- 最大靜載荷：190N • Maximum Static Load: 190N
- 最大輸入扭矩：6N.m • Maximum Input Torque: 6N.m
- 選配 KE06.K15 系列鑰匙



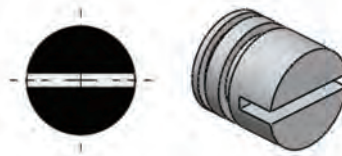
MS-817 固定間距



MS-817-1A 可調間距



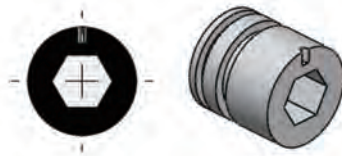
4mm S 型



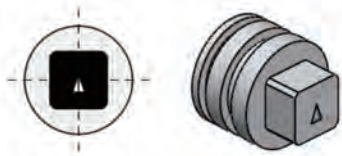
一字槽



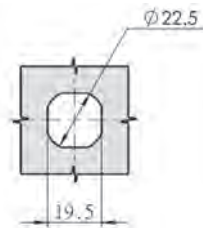
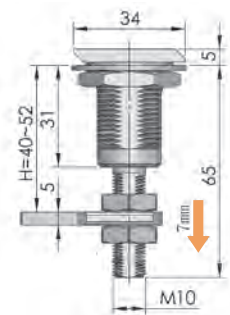
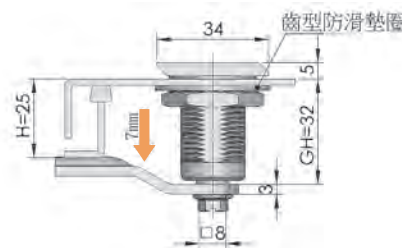
8mm 三角型



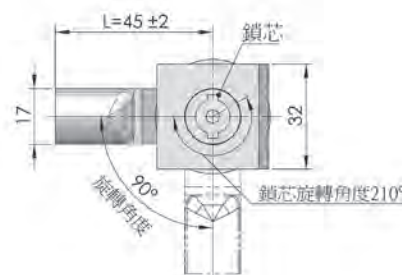
8mm 內六角型



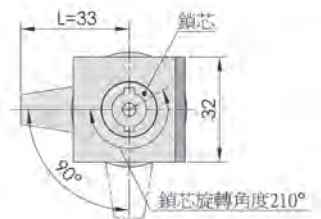
8x8mm 四角型



開孔尺寸 Cut Out



固定間距型



可調間距型 (Adjustable grip)

鎖芯樣式 (Cylinder Type)	固定間距型	可調間距型 Adjustable grip	鑰匙 - 選配 (Key)
S 型 4mm	MS-817	MS-817-1A	K15-01
三角型 8mm	MS-817-3	MS-817-3A	K15-03
四角型 8x8mm	MS-817-4	MS-817-4A	K15-04
內六角型 8mm	MS-817-5	MS-817-5A	K15-07
一字槽型	MS-817-8	MS-817-8A	硬幣 or 一字起子

# 小型・壓縮・工具鑰匙或手旋開啟

Compression Latch · Adjustable grip



## 圓柱鎖

QUARTER TURN TUBULAR LOCKS

CYLINDER CAM LOCKS

### MS-816-3 系列

- 材質：鋅合金
- Material : Zinc Alloy
- 表面處理：黑色塗裝
- S.Tr : Black powder coated
- 門擋迫緊行程：5m/m
- Compression : 5m/m
- 適用門板厚度：1~10m/m
- Panel thickness : 1~10m/m
- 最大靜載荷：360N
- Maximum Static Load :360N
- 最大輸入扭矩：8N.m
- Maximum Input Torque : 8N.m
- 可選配 S1G 系列擋片

### 選配組件 Optional Accessory



防水蓋 WP-004

Waterproof Dust Cover



MS-816-3A



MS-816-3B



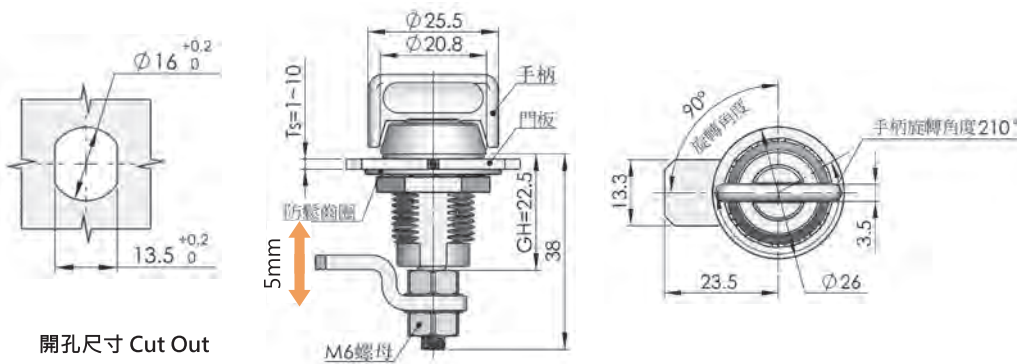
MS-816-3C



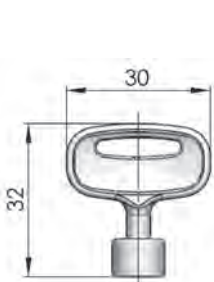
MS-816-3F



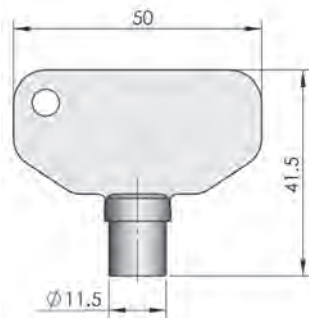
MS-816-5



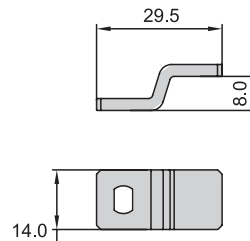
開孔尺寸 Cut Out



K15-05



K370



標準擋片 Standard Cam Type)

# 迷你型圓柱鎖

## Small Type



- 材質：鋅合金
- Material : Zinc Alloy
- 表面處理：黑色塗裝
- S.Tr:Black powder coating
- 最大靜載荷：220N
- Maximum Static Load : 220N



MS-845-1



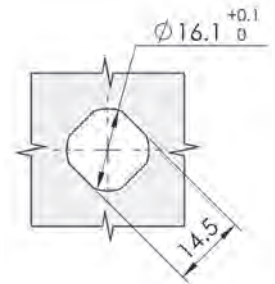
MS-845-2



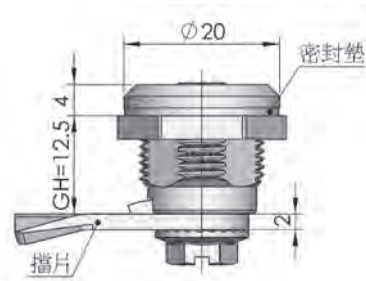
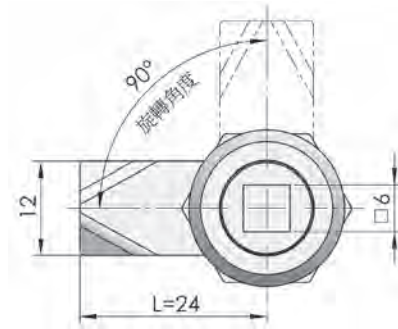
MS-845-3



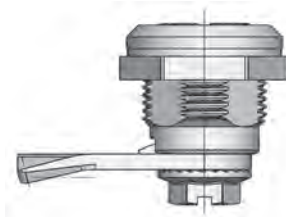
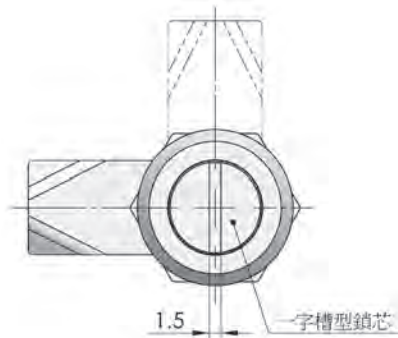
鑰匙 Key  
K15-05



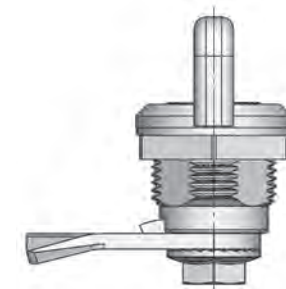
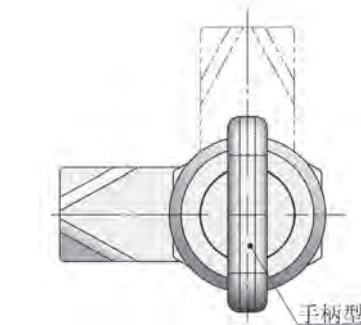
開孔尺寸 Cut Out



MS-845-1  
(□ 6x6 四方型)



MS-845-2  
(一字槽型)



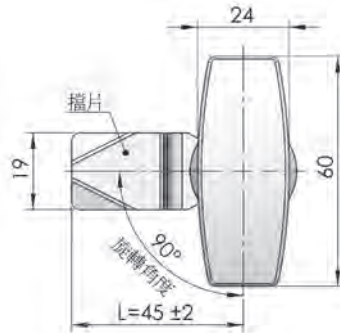
MS-845-3  
(手柄型)

# T 型手柄式防水門扣

## Waterproof Cam Latch-T Handle

IP54 RoHS RL

- 材質：主體 & 手柄 - 鋅合金、擋片 - 鋼鐵
- Material: Body&Handle -Zinc Alloy ; Cam-Steel
- 表面處理：主體 & 手柄 - 黑色塗裝、擋片 - 鍍鋅
- S.Tr: Body&Handle -Black powder coated, Cam-Zinc plated
- 適用板厚：1~6m/m
- Panel thickness:1~6m/m
- 最大靜載荷：220N
- Maximum Static Load:220N
- 最大輸入扭矩：15N.m
- Maximum Input Torque:15N.m



圓柱鎖  
QUARTER TURN TUBULAR LOCKS  
CYLINDER CAM LOCKS



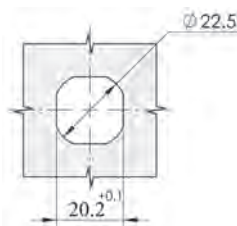
MS-714-6



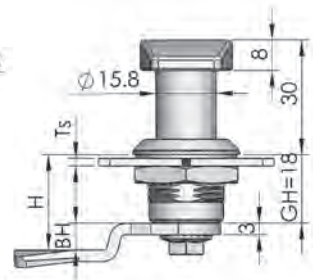
訂購範例 Order Exp: 主體 Body+ 擋片 Cam  
MS-714-6+S1B4500

單位：(mm)

擋片 (選配) Cam Selection	
擋片型號 CAM CODE	擋片深度 (H) CAM DEPTH
S1B4500	18
S1B4507	25
S1B4516	35



開孔尺寸 Cut Out

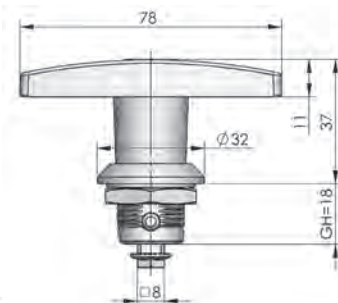


# T 型手柄式防水門鎖

## Waterproof Cam Latch-T Handle

IP65 RoHS RL

- 材質：主體 & 手柄 - 鋅合金、擋片 - 鋼鐵
- Material : Body&Handle -Zinc Alloy ; Cam-Steel
- 表面處理：主體 & 手柄 - 黑色塗裝、擋片 - 鍍鋅
- S.Tr : Body&Handle -Black powder coated, Cam-Zinc plated
- 最大靜載荷：270N
- Maximum Static Load : 270N
- 最大輸入扭矩：20N.m
- Maximum Input Torque : 20N.m



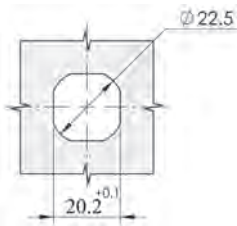
MS-3242



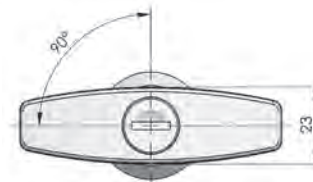
訂購範例 Order Exp: 主體 Body+ 擋片 Cam  
MS-3242+DS1B4500

單位：(mm)

擋片 (選配) Cam Selection	
擋片型號 CAM CODE	擋片深度 (H) CAM DEPTH
DS1B4500	18
DS1B4507	25
DS1B4516	35



開孔尺寸 Cut Out



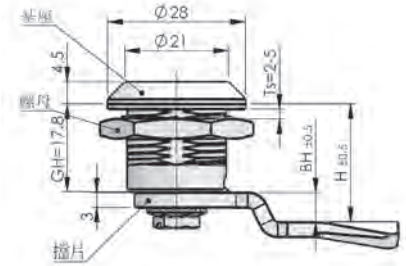
## 工具開啟 · 固定間距

### Quarter Turn Latches



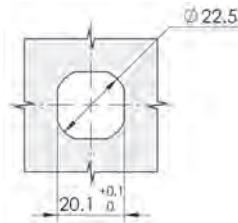
MS-773-4

- 材質：鋅合金、鐵擋片
- Material : Zinc Alloy 、Cam-Steel
- 表面處理：亮光鉻、鍍鋅擋片
- S.Tr : Bright chrome 、Cam- Zinc Plated
- 最大靜載荷：270N
- Maximum Static Load : 270N
- 最大輸入扭矩：9N.m
- Maximum Input Torque : 9N.m
- 防止震動開啟 · 適用於軌道車輛及各種震動箱體
- Vibration resistant suitable for rail vehicles and a variety of vibration boxes

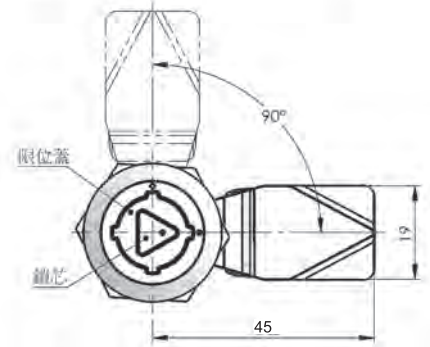


單位：(mm)

擋片 (選配) Cam Selection	
擋片型號 CAM CODE	擋片深度 H CAM DEPTH
DS1B4500	18
DS1B4507	25
DS1B4516	35



開孔尺寸 Cut Out



## 塑膠 PA 門鎖

### Cam Latch

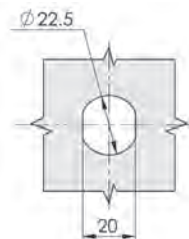


MS-769-3

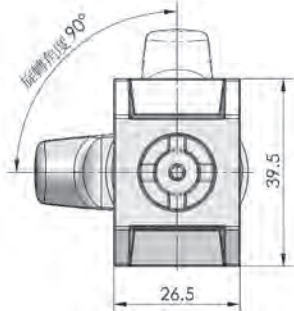
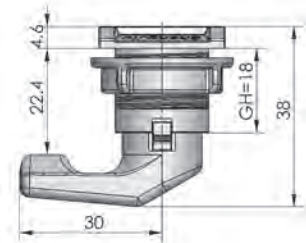
- 材質：PA6+GF30 塑料
- Material: PA6+GF30
- 最大靜載荷：80N
- Maximum Static Load : 80N



鑰匙 Key



開孔尺寸 Cut Out



# 不銹鋼小圓鎖

## Stainless Steel Cam Lock



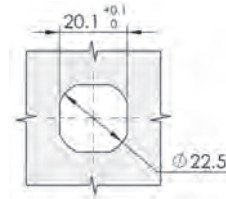
- 材質 & 表面處理：鎖體 - 不銹鋼 304/ 拋光、擋片 - 不銹鋼 304/ 電解、鑰匙 - 鋅合金 / 鍍鎳
- Material & S.Tr: Body-stainless steel 304, Polished Finish key-zinc alloy, Chrome plated



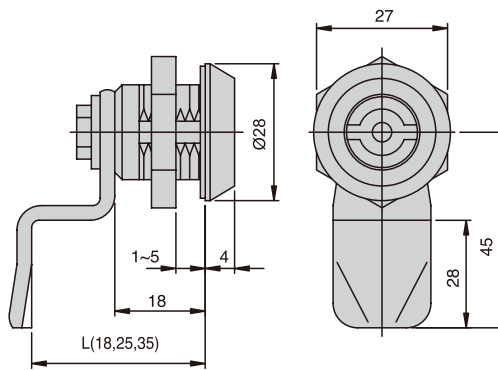
鑰匙 KEY  
K15-01

單位：(mm)

型號 Item No	鎖芯樣式 Lock Style
MS-705-1-SS	翼型 4mm
MS-705-3-SS	三角 8mm
MS-705-4-SS	四角 8x8mm
MS-705-T-SS	特規梯形



開孔尺寸 Cut Out



# 圓柱鎖

QUARTER TURN TUBULAR LOCKS  
CYLINDER CAM LOCKS



MS-705-1-SS

# 不銹鋼防水·壓縮型

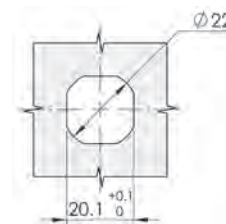
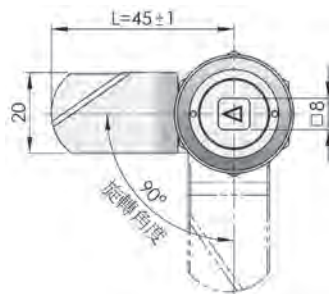
## Stainless steel Compression Latch Waterproof



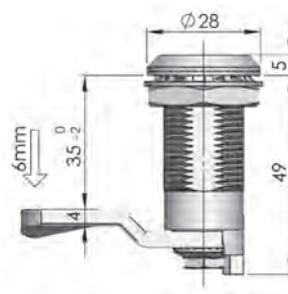
- 材質：不銹鋼 304
- Material：Stainless steel 304
- 門擋迫緊行程：6m/m
- Pawl compression depth: 6m/m
- 手柄承載拉力值 ≤ 590N
- Handle Strength ≤ 590N
- 最大輸入扭矩：11N.m
- Maximum Input Torque：11N.m



鑰匙 KEY  
K15-04



開孔尺寸 Cut Out



MS-816-4-SS

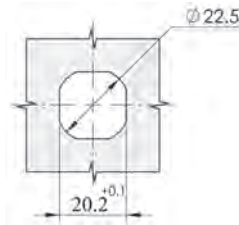
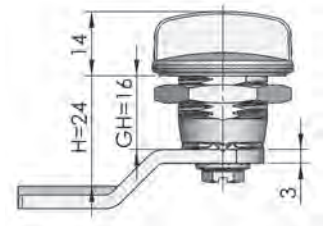
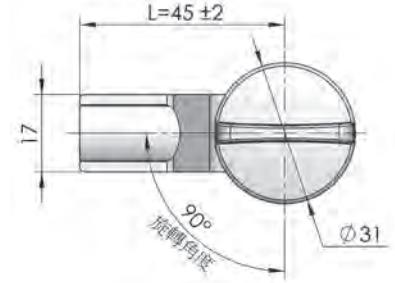
## 手柄型

### Cam Latch



MS-714-5

- 材質：主體 & 手柄 - 鋅合金、擋片 - 鋼鐵鍍鋅
- Material : Body&Handle -Zinc Alloy  
Cam-Steel zinc plated
- 適用板厚 :1~4m/m
- Panel thickness:1~4m/m
- 主體與擋片中間配置彈性墊圈，防止震動開啟
- Install the spring spacer to prevent vibration when opening door.
- 最大靜載荷：270N
- Maximum Static Load: 270N
- 最大輸入扭矩：9N.m
- Maximum Input Torque : 9N.m



開孔尺寸 Cut Out

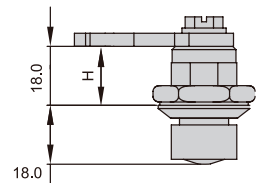
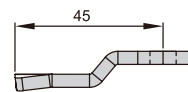
## 手柄型 · 防水

### Small Type Waterproof Latch

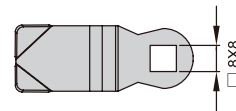


MS-714-4

- 材質：主體 - 鋅合金、手柄 -PA、擋片 - 鋼鐵鍍鋅
- Material: Body-Zinc Alloy ; Handle-PA ; Cam-Steel zinc plated
- 適用板厚 :1~8m/m
- Panel thickness:1~8m/m
- 可選配其他規格擋片
- Available with a selection of different cam types

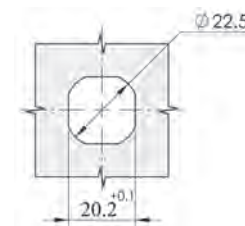


選配擋片規格

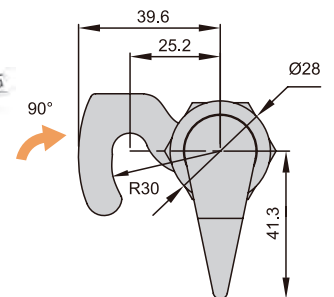


單位：(mm)

擋片 (選配) Cam Selection	
擋片型號 CAM CODE	擋片深度 (H) CAM DEPTH
S1B4500	18
S1B4507	25
S1B4516	35



開孔尺寸 Cut Out



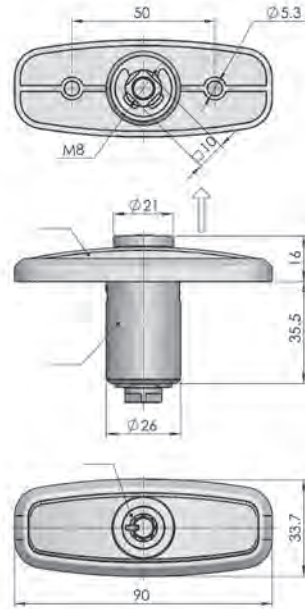
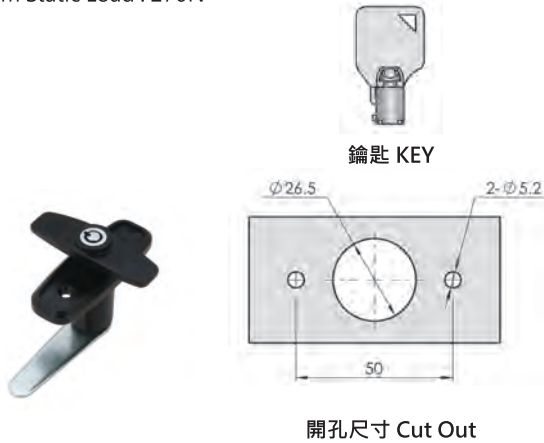
標準擋片

# 手柄型 · 圓柱鎖

## T-Handle Type Cylindrical Lock



- 材質：鋅合金手柄 & 基座 & 鎖芯
- Material : Zinc Alloy Body&Cylinder&Handle
- 表面處理：黑色塗裝、鎖芯鍍鉻
- S.Tr: Black powder coated、Cylinder- Chrome plated
- 鎖芯旋轉 180°，手柄自動向上彈起，手柄可 360°旋轉使用
- Turn the lock cylinder 180° and the handle automatically springs up.
- 最大靜載荷：270N
- Maximum Static Load : 270N



# 圓柱鎖

QUARTER TURN TUBULAR LOCKS

CYLINDER CAM LOCKS

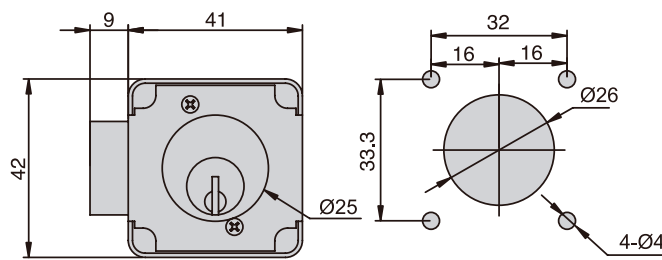


MS-324-3

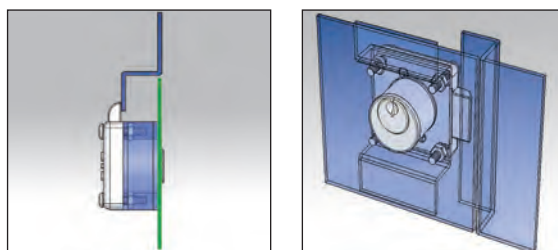
# 交通箱鎖

## Push to Close Latch

- 材質：鎖芯 - 銅 & 鋅合金 · 安裝座 - 不銹鋼
- Material: Lock Cylinder - Zinc Alloy & Copper, Body- stainless steel 304
- 轉動鑰匙、門擋內縮 8m/m，以鑰匙當成拉手柄將門開啓



開孔尺寸 Cut Out



MS-836

## 防水型門扣 · 手旋開啟

### Wing Knob Cam Latch. Waterproof

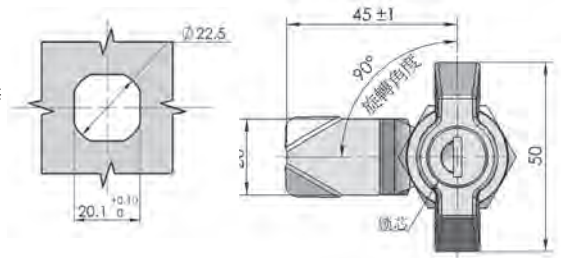


MS-648-3A



MS-648-3

- 材質：主體 - 鋅合金、手柄 - 尼龍玻璃纖維、擋片 - 鋼鐵
- Material : Body -Zinc Alloy、Handle-Nylon fiberglass、Cam-Steel
- 表面處理：主體 - 黑色烤漆、手柄 - 黑色、擋片 - 鍍鋅
- S.Tr : Body & Handle – Black Finish、Cam-Zinc plating
- 最大靜載荷：270N
- Maximum Static Load : 270N
- 最大輸入扭矩：30N.m
- Maximum Input Torque : 30N.m



開孔尺寸 Cut Out

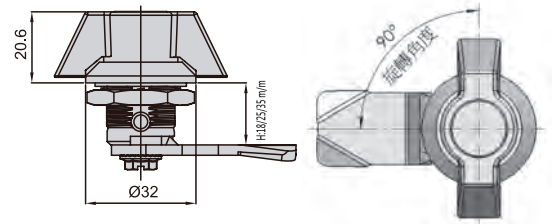
MS-648-3



鑰匙 KEY

訂購範例 Order Exp: 主體 Body+ 擋片 Cam  
MS-648-3+DS1B4500 單位：(mm)

擋片 (選配) Cam Selection	
擋片型號 CAM CODE	擋片深度 (H) CAM DEPTH
DS1B4500	18
DS1B4507	25
DS1B4516	35



MS-648-3A

## 壓縮 · 手旋開啟 · 可調間距

### Wing Knob Compression Type Latch. Adjustable Grip

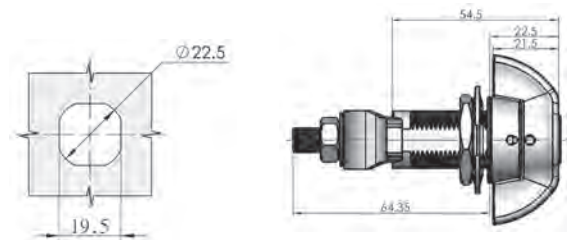


MS-816-1-K  
(WITH LOCKING)



MS-816-1-KN  
(NON-LOCKING)

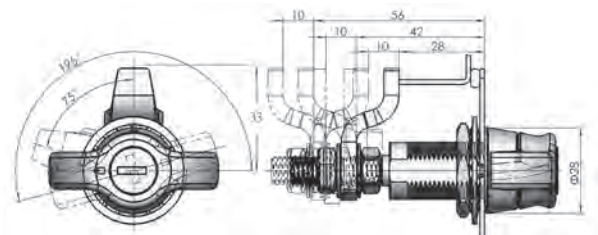
- 材質：主體 - 鋅合金、擋片 - 鋼鐵
- Material : Body-Zinc Alloy、Cam-Steel
- 表面處理：主體 - 黑色烤漆、擋片 - 鍍鋅
- S.Tr : Body-Black powder coated、Cam-Zinc plated
- 門擋迫緊行程：7m/m
- Compression : 7m/m
- 適用門板厚度：1~18m/m
- Panel thickness : 1~18m/m
- 最大靜載荷：300N
- Maximum Static Load : 300N



開孔尺寸 Cut Out



鑰匙 KEY



# 壓縮迫緊型圓柱鎖

Compression Tubular Lock



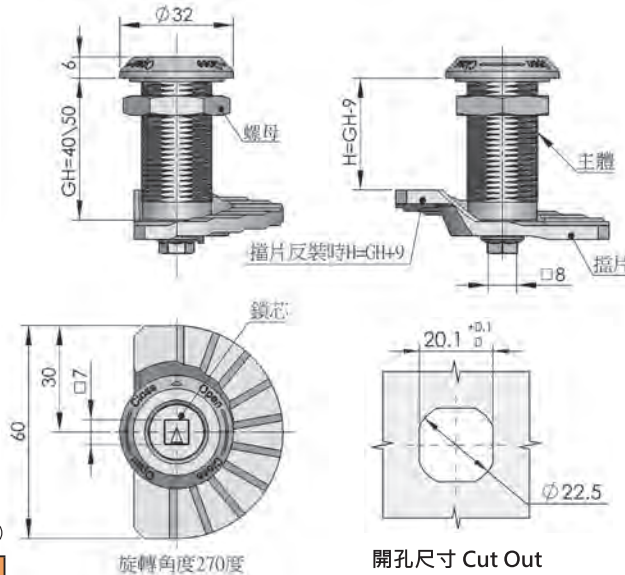
## 圓柱鎖

QUARTER TURN TUBULAR LOCKS

CYLINDER CAM LOCKS

### 防護等級：IP54

- 材質：主體、鎖芯、擋片 - 鋅合金
- Material：Zinc Alloy
- 表面處理：主體、鎖芯、擋片 - 鍍鉻
- S. Tr：Chrome Plated
- 最大靜載荷：300N
- Maximum Static Load: 300N
- 最大輸入扭矩：9N.m
- Maximum Input Torque: 9N.m
- 鎖芯旋轉 270° 開啟
- 擋片可反面安裝



單位：(mm)

型號 Item No	規格 . SPEC
MS-756-40	GH=40
MS-756-50	GH=50



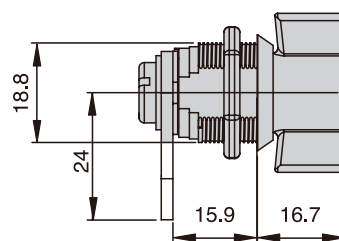
MS-756

# 雙翼型蝴蝶鎖 · 手旋開啟

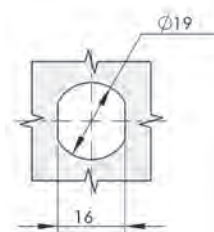
Wing Knob · Lockable Cam Latch



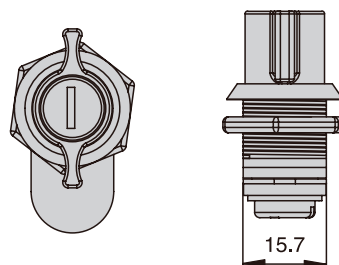
- 材質：鋅合金
- Material: Zinc Alloy
- 表面處理：電鍍亮鉻
- S.Tr: Bright Chrome plated



鑰匙 KEY



開孔尺寸 Cut Out



MS-657-24

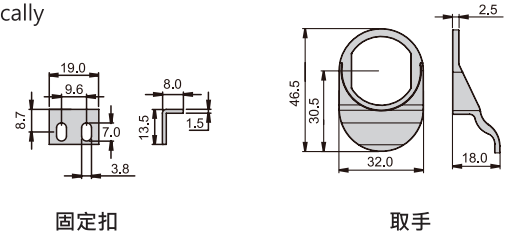
## 按壓式門鎖

### Push to Close Latch



MS-7530

- 材質：ABS · 黑色
- Material：ABS · Block
- 按壓按鈕開啟門板 · 門板回推自動關閉
- Push button to open, push door to close automatically
- 固定扣與取手為標準配件
- Supplied with catch and pull tab
- 最大靜載荷：240N
- Maximum Static Load：240N
- 固定螺母最大擰緊力矩：7.2N.m
- Fixed Nut Maximum Tightness：7.2N.m

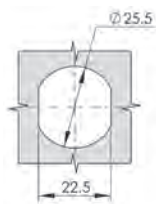


固定扣

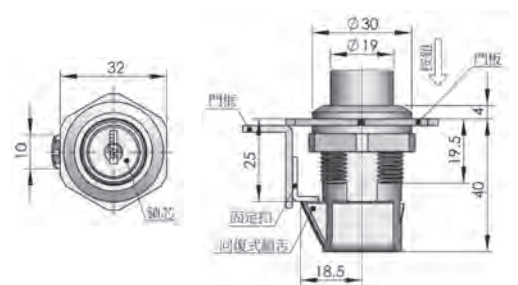
取手



鑰匙 KEY



開孔尺寸 Cut Out



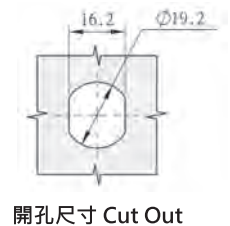
## 高防盜型 · 圓柱鎖

### Cam Lock – Anti-theft

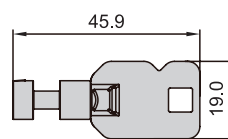
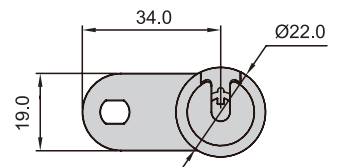


MS-8510S-1

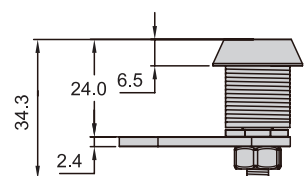
- 材質 & 表面處理：本體 - 銅 · 鍍鉻、擋片 - 鋼鐵 · 鍍鎳
- Material：Body-Copper, chrome plated; Cam-Steel, nickle plated
- 可提供 2000 種鎖芯組合 (訂製生產) · 常規品為同號鎖芯
- Available in 2000 different key combinations (Customized).  
Standard specification: Keyed alike.
- 關閉狀態時 · 鑰匙方可拔出 · 避免使用者忘記關門
- The key cannot be removed from the lock while the lock is turned opened. It can only be removed when the lock is closed. This helps prevent user from forgetting to lock the door.
- 鑰匙無法直接從正面插入 · 加強防盜
- The key cannot be inserted directly which enhance the anti-theft function



開孔尺寸 Cut Out



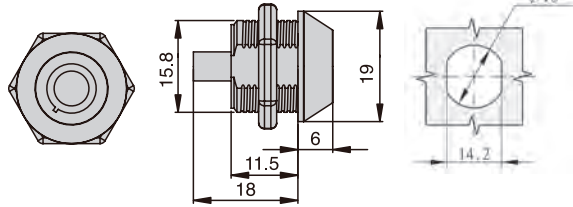
鑰匙 KEY



# 按壓鎖 · 插銷型

## Push Lock · Pin Type

- 材質：銅
- Material : Copper
- 表面處理：電鍍亮鎳
- S.Tr : Bright chome plated
- 鑰匙可當拉手柄使用
- The key can be used as a handle to pull the door open.
- 手指按壓 -> 上鎖
- Press button to lock
- KEY-> 解鎖
- Use key to unlock

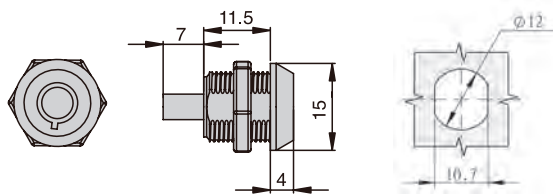


MS-310

開孔尺寸 Cut Out



MS-310



MS-520

開孔尺寸 Cut Out

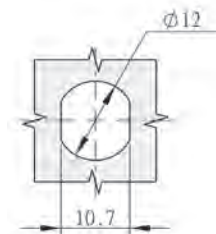


MS-520

# 迷你型圓柱鎖

## Cam Lock-Small Type

- 材質 & 表面處理：本體 - 鋅合金 · 鍍鎳、擋片 - 鋼鐵 · 鍍鎳
- Material : Body-zinc alloy, chrome plated ; Cam-Steel , nickel plated
- 可提供 5000 種鎖芯組合 (訂製生產) · 常規品為同號鎖芯
- Available in 5000 different key combinations (Customized).  
Standard specification: Keyed alike.
- 關閉狀態時 · 鑰匙方可拔出 · 避免使用者忘記關門
- The key cannot be removed from the lock while the lock is turned opened. It can only be removed when the lock is closed. This helps prevent the user from forgetting to lock the door.



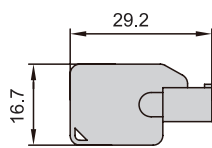
開孔尺寸 Cut Out



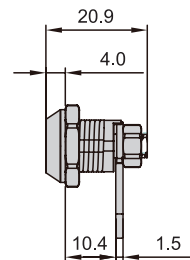
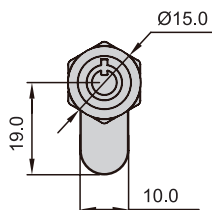
MS-520-ZS-1



鑰匙 KEY



鑰匙 KEY



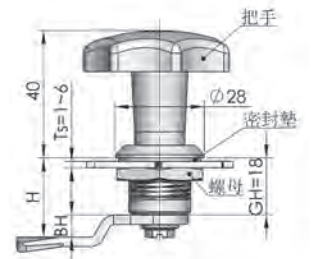
## 星型 · 手旋

### Star Handle Waterproof Cam Latch



MS-714

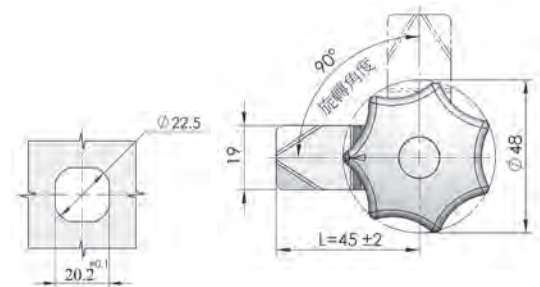
- 材質：把手 -PA、基座 - 鋅合金、擋片 - 鋼鐵鍍鋅
- Material: Hand-nylon fiberglass、Body-zinc alloy、Cam-Steel zinc plated
- 防水密封功能 · 旋轉 90° 開啓
- With waterproof function. Turn 90° to open.
- 最大靜載荷：220N
- Maximum Static Load: 220N
- 最大輸入扭矩：9N.m
- Maximum Input Torque: 9N.m
- 適用板厚：1~6m/m
- Panel thickness:1~6m/m



訂購範例 Order Exp: 主體 Body+ 擋片 Cam  
MS-714+S1B4500

單位：(mm)

擋片 (選配) Cam Selection	
擋片型號 CAM CODE	擋片深度 (H) CAM DEPTH
S1B4500	18
S1B4507	25
S1B4516	35



開孔尺寸 Cut Out

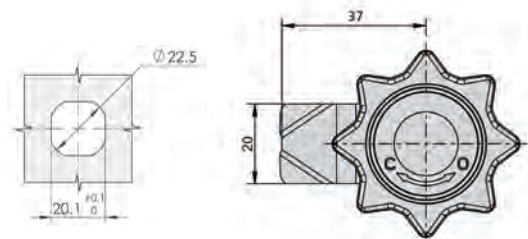
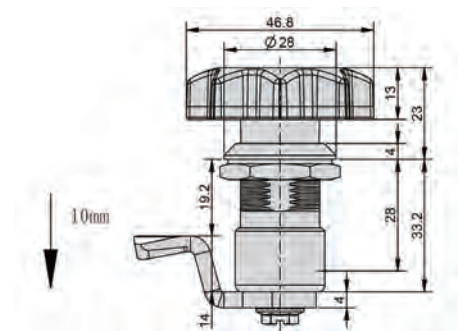
## 星型 · 壓縮 · 手旋 · 可調間距

### Compression Latches · Adjustable grip



MS-811-2

- 材質：銀色鋅合金旋鈕 & 主體
- Material : Sliver zinc alloy knob & body, cam-steel zinc plated
- 旋轉旋鈕 · 調節擋片固定位置 · 可前後伸縮 8m/m
- Turn the knob to adjust cam depth. Compression Range: 8m/m



開孔尺寸 Cut Out

# 防水型圓鎖

## Waterproof Cam Lock



### 圓柱鎖

QUARTER TURN TUBULAR LOCKS

CYLINDER CAM LOCKS

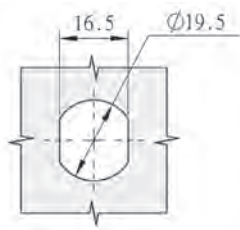
- 材質：鋅合金、鋼鐵擋片  
Material: Body-Zinc Alloy ; Cam-Steel
- 表面處理：鍍鉻鎖體、鍍鋅擋片
- S.Tr:Body-Bright chome plated,Cam-zinc plated
- 鎖芯內部加裝 O 型環，提高防水性能
- Install O-ring on lock cylinder to enhance the waterproof and airtightness function.
- 變換限位墊片方向，可左右門共用  
The lock can be adjusted to fit left or right opening door by changing the rotating direction of the cam.
- 最大靜載荷：230N
- Maximum Static Load : 230N



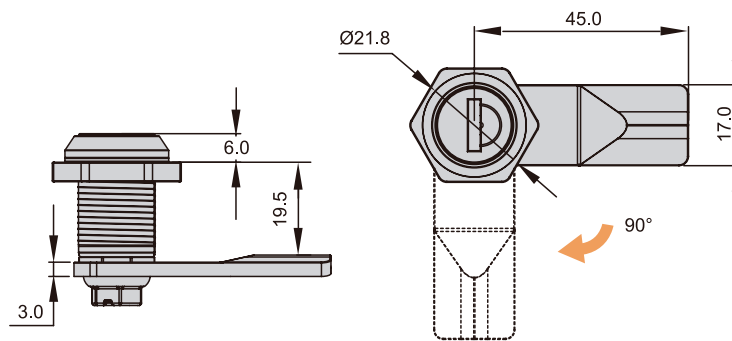
鑰匙 KEY



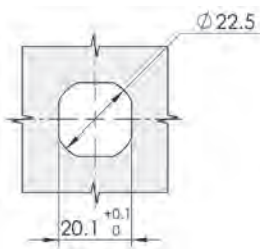
MS-7360



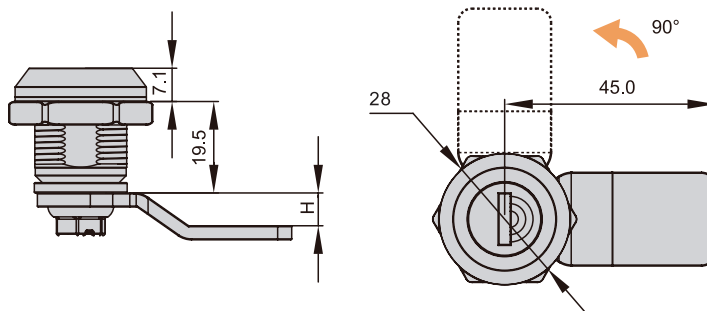
開孔尺寸 Cut Out



MS-7360



開孔尺寸 Cut Out



MS-7362

可提供 500 種鎖心組合 (訂製)  
Can be custom made with different lock and key combination (500 key numbers)



MS-7362

訂購範例 Order Exp: 主體 Body+ 擋片 Cam  
MS-7362+S1B4500

單位: (mm)

擋片 (選配) Cam Selection	
擋片型號 CAM CODE	擋片折彎 (H)CAM DEPTH
S1B4500	0
S1B4507	7
S1B4516	16



O-Ring 示意圖

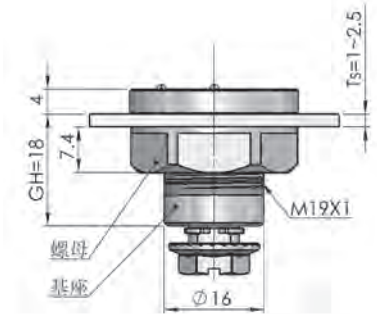
## 圓柱鎖 · 工具開啟

### Cam Latch-Plastic

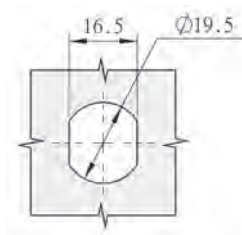


MS-806-2

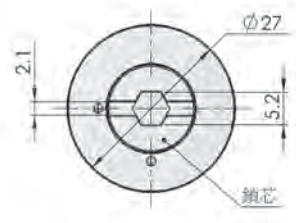
- 材質：主體 -PA、鎖芯 - 不銹鋼 304
- Material: Body-PA、Lock Cylinder - Stainless steel 304
- 表面處理：主體 - 黑色、鎖芯 - 拉絲拋光
- S.Tr:Body – Black Finish; Lock Cylinder – Polished Finish
- 最大靜載荷 :100N
- Maximum Static Load : 100N
- 適用板厚：0.8~6m/m
- Panel thickness : 0.8~6m/m



取手 Pull(選配)  
TX-2016



開孔尺寸 Cut Out



## 塑料門扣

### Cam Latch-PA



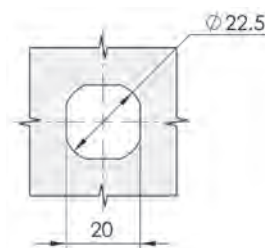
- 材質：尼龍 + 玻璃纖維
- Material : PA6+GF30
- 防水、耐腐蝕
- Waterproof corrosion-resistant
- 適用板厚：0.8~6 m/m
- Panel thickness : 0.8~6 m/m



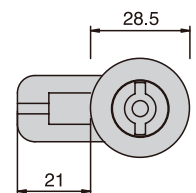
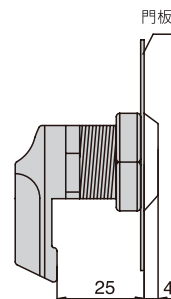
MS-817-2



鑰匙 KEY



開孔尺寸 Cut Out

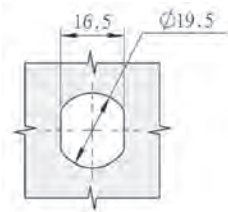
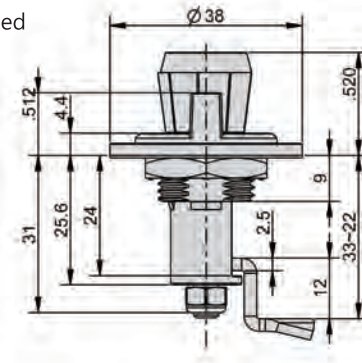
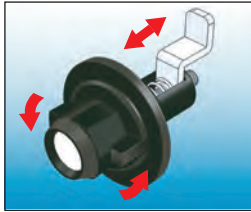


## 壓縮 · 手旋 · 可調間距

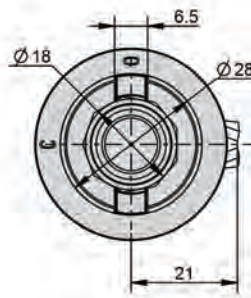
Compression Latches. Adjustable Grip



- 材質：黑色尼龍旋鈕及主體、擋片 - 鋼鐵、鍍鋅
- Material : Black nylon knob and body · Cam-Steel zinc plated
- 轉動旋鈕可調整擋片深度，達到門板壓縮密封效果
- Rotate the knob to adjust cam depth



開孔尺寸 Cut Out



## 圓柱鎖

QUARTER TURN TUBULAR LOCKS

CYLINDER CAM LOCKS



MS-811

## 壓縮 · 防塵蓋保護 · 工具鑰匙開啟

Waterproof – Compression Latch



- 材質：鋅合金
- Material: Zinc Alloy
- 表面處理：電鍍亮鉻
- S.Tr: Bright chrome plated
- 最大靜載荷：100N
- Maximum Static Load : 100N
- 最大輸入扭矩：12N.m
- Maximum Input Torque : 12N.m
- 搭配 K15-01 鑰匙
- 可批量訂製其他工具型鎖芯樣式



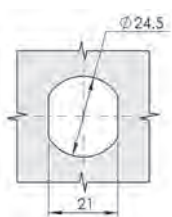
防塵蓋旋開狀態



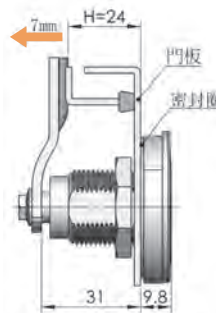
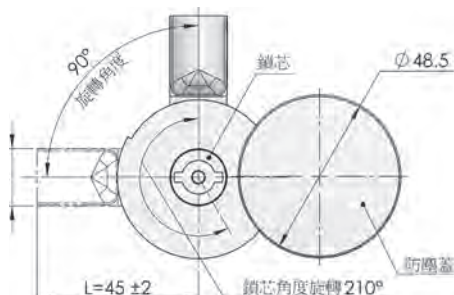
鑰匙 KEY  
K15-01



MS-823



開孔尺寸 Cut Out



## 翼型 · 手旋開啟

## Wing Knob Cam Latch – Waterproof

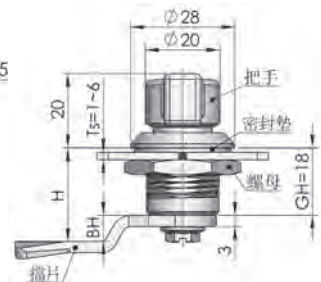
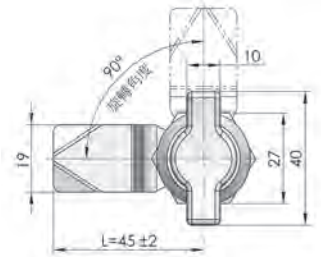
IP54 RL RoHS

- 材質：把手 -PA、基座 - 鋅合金、擋片 - 鋼鐵鍍鋅
- Material: Hand-nylon fiberglass、Body-zinc alloy、Cam-Steel zinc plated
- 防水密封功能 · 旋轉 90° 開啟
- With waterproof function. Turn knob 90° to open
- 最大靜載荷：220N
- Maximum Static Load : 220N
- 最大輸入扭矩：9N.m
- Maximum Input Torque : 9N.m
- 適用板厚：1~6m/m
- Panel thickness : 1~6m/m

訂購範例 Order Exp: 主體 Body+ 擋片 Cam  
MS-714-2+S1B4500

單位：(mm)

擋片 (選配) Cam Selection	
擋片型號 CAM CODE	擋片深度 (H) CAM DEPTH
S1B4500	18
S1B4507	25
S1B4516	35



開孔尺寸 Cut Out



MS-714-2

## 翼型 · 手旋 · 附掛鎖孔

## Padlockable Wing Knob Waterproof Cam Latch

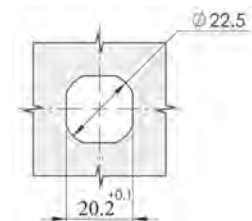
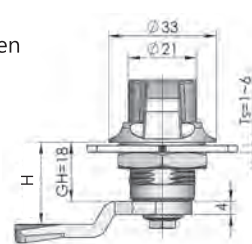
IP54 RL RoHS

- 材質：鋅合金、擋片 - 鋼鐵鍍鋅
- Material : zinc alloy、Cam-Steel zinc plated
- 防水密封功能 · 旋轉 90° 開啟
- With waterproof function. Turn knob 90° to open
- 最大靜載荷：250N
- Maximum Static Load: 250N
- 最大輸入扭矩：18N.m
- Maximum Input Torque : 18N.m
- 固定螺母建議擰緊力矩：20N.m
- 適用板厚：1~6m/m
- Panel thickness : 1~6m/m
- 可自行加裝掛鎖 · 增加防盜性
- Install padlock to enhance anti-theft function

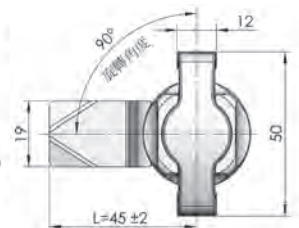
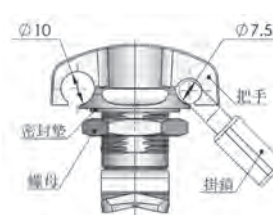
訂購範例 Order Exp: 主體 Body+ 擋片 Cam  
MS-714-3+S1B4500

單位：(mm)

擋片 (選配) Cam Selection	
擋片型號 CAM CODE	擋片深度 (H) CAM DEPTH
S1B4500	18
S1B4507	25
S1B4516	35



開孔尺寸 Cut Out



MS-714-3

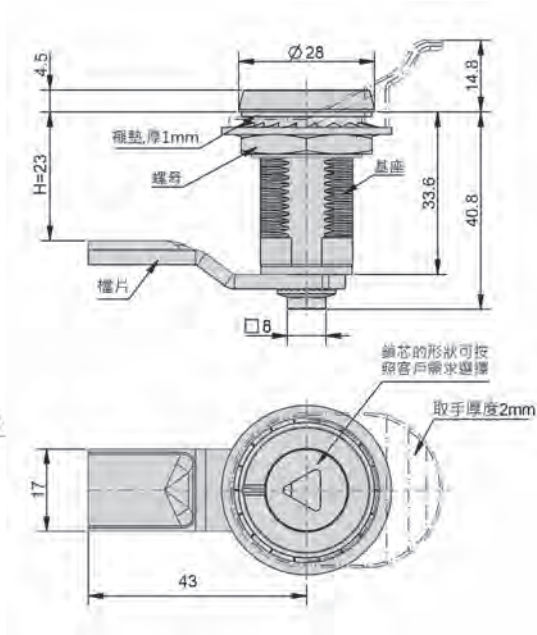


# 壓縮 · 固定間距

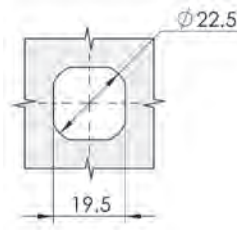
## Compression Latch



- 材質：鋅合金
- Material : Zinc Alloy
- 表面處理：灰藍烤漆
- S.Tr : Gray blue powder
- 門擋迫緊行程：7m/m
- Pawl Compression : 7m/m
- 適用門板厚度：1.0~17m/m
- Panel thickness : 1.0~17m/m
- 最大靜載荷：300N
- Maximum Static Load: 300N
- 最大輸入扭矩：11N.m
- Maximum Input Torque: 11N.m



鑰匙 KEY  
K15-03



開孔尺寸 Cut Out

# 圓柱鎖

QUARTER TURN TUBULAR LOCKS

CYLINDER CAM LOCKS



MS-816-1

# 工具鑰匙開啟 · 壓縮迫緊

## Compression Latch



- 材質：鎖體—鋅合金、擋片—鐵
- Material : Body-zinc alloy, Cam-steel
- 表面處理：鎖體—黑色烤漆、擋片—鍍鋅
- S.Tr:Body-black powder coated, Cam-zinc plated
- 最大靜載荷：300N
- Maximum Static Load: 300N

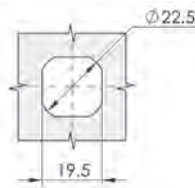


防水蓋 WP-001

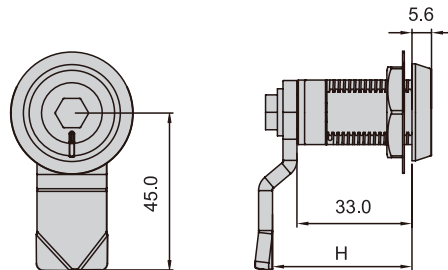
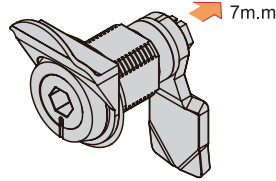


取手 TX-2014

選配組件  
Optional Accessory



開孔尺寸 Cut Out



MS-816-1-6

訂購範例 Order Exp: 主體 Body+ 擋片 Cam  
MS-816-1-6+S1B4500

單位：(mm)

擋片 (選配) Cam Selection	
擋片型號 CAM CODE	擋片深度 (H)CAM DEPTH
S1B4500	33
S1B4507	40
S1B4516	49

## 鑰匙型 · 圓柱鎖

### Cam Lock

RL



MS-729-1(H=30)

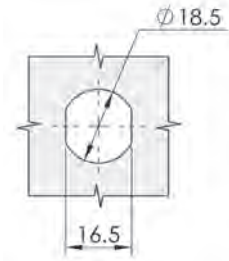


MS-729-2(H=20)

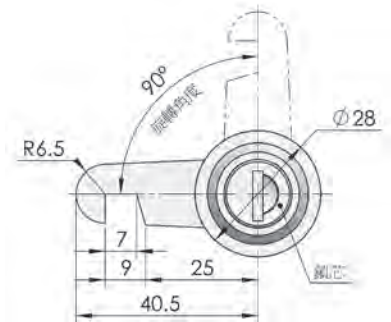
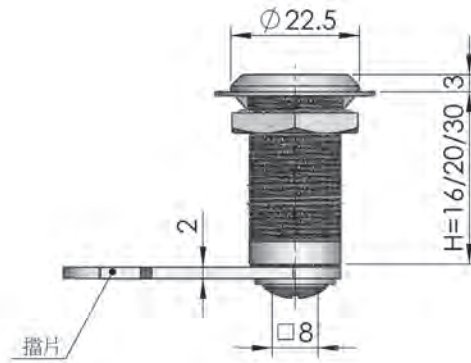


MS-729-3(H=16)

- 材質：鋅合金基座 & 鎖芯、鐵擋片
- Material : Zinc Alloy Body&Cylinder、Cam-Steel
- 表面處理：鍍鉻基座 & 鎖芯、鍍鋅擋片
- S.Tr : Base & Lock Cylinder – Chrome Plated, Cam – Zinc Plated
- 最大靜載荷：150N
- Maximum Static Load:150N



開孔尺寸 Cut Out

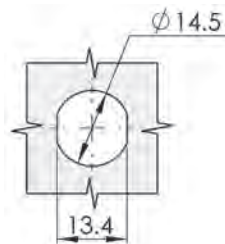
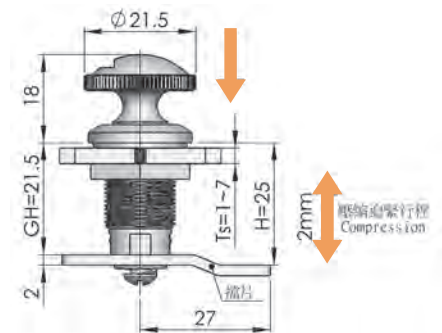


## 旋鈕型 · 壓縮迫緊

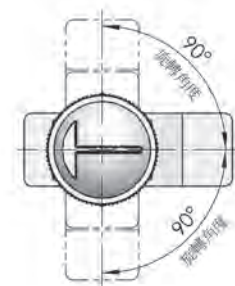
### KNOB TYPE. COMPRESSION



- 材質：主體、手柄 - 鋅合金，擋片 - 鐵製
- Material : Body – Zinc Alloy, Cam – Steel
- 表面處理：主體、手柄 - 鍍亮光鉻，擋片 - 鍍鋅
- S. Tr : Body – Bright Chrome Finish, Cam – Zinc Plated
- 最大靜載荷：91N
- Maximum Static Load : 91N
- 最大輸入扭矩：4N.m
- Maximum Input Torque : 4N.m



開孔尺寸 Cut Out



MS-803

# 圓管型鎖

Cam Lock



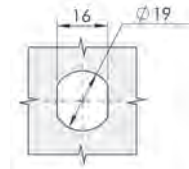
# 圓柱鎖

QUARTER TURN TUBULAR LOCKS

CYLINDER CAM LOCKS

## MS-824 系列

- 材質：鋅合金
- Material: Zinc Alloy
- 表面處理：電鍍亮鉻
- S.Tr: Bright chrome plated
- 可變換 5000 種以上鑰匙 (訂製) · 標準品為同號鑰匙
- Available in more than 5000 key combinations (Customized). Standard specification: Keyed alike.
- 鑰匙可當拉手
- The key can be used as a handle

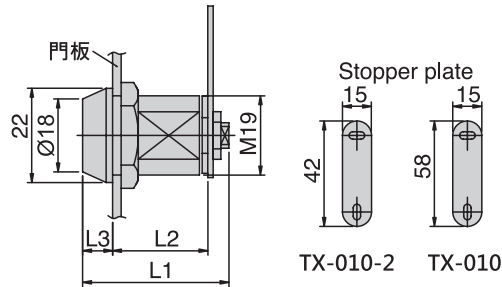


開孔尺寸 Cut Out



訂購範例 Order Exp: 主體 Body+ 擋片 Cam  
MS-824-1+TX-010

MODEL NO.	(L1)	(L2)	(L3)
MS-824-1	34	17	6.3
MS-824-2	40	23	6.3
MS-824-3	45	28	6.3



MS-824-1



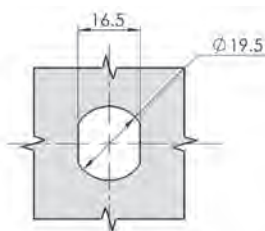
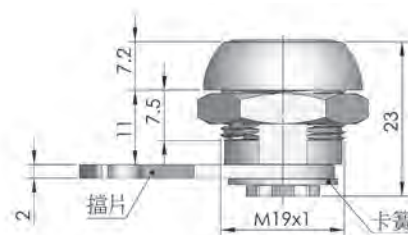
MS-824-2



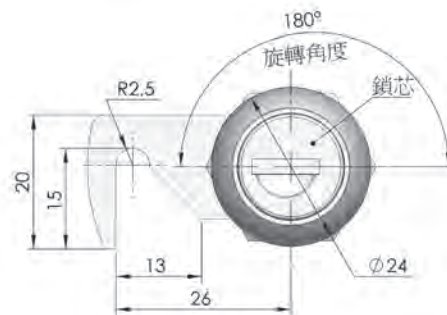
MS-824-3

## MS-743

- 材質：主體 - 鋅合金 · 擋片 - 鐵製
- Material: Body - Zinc Alloy, Cam - Steel
- 表面處理：主體 - 鍍亮鉻 · 擋片 - 鍍鋅
- S. Tr: Body - Bright Chrome Finish, Cam - Zinc
- 最大靜載荷：140N
- Maximum Static Load: 140N



開孔尺寸 Cut Out



MS-743

## 鑰匙解鎖 · 推入鎖定

### Keylocking Latches · Push to Close

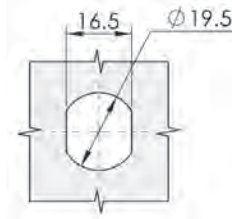


MS-826

- 材質：鋅合金
- Material: Zinc Alloy
- 表面處理：電鍍亮鉻
- S.Tr: Bright chome plated
- 最大靜載荷：340N
- Maximum Static Load: 340N
- 適用板厚：1~5m/m
- Panel thickness: 1~5m/m
- 轉動鑰匙、門擋內縮、開啟門板
- Turn the key to retract the cam and unlock the door
- 鑰匙在開啓狀態時，代替拉手柄
- 可以選配 WP003 防水蓋和 HP003 取手
- Optional: can be used with WP003 Dust Cover and HP003 Pull Tab



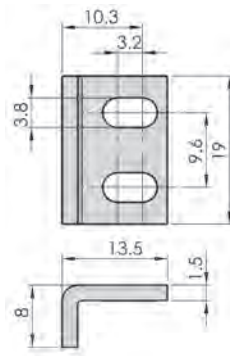
鑰匙 KEY



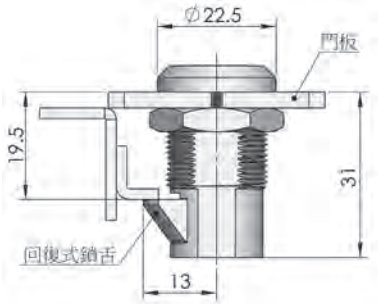
開孔尺寸 Cut Out



鎖芯



固定扣



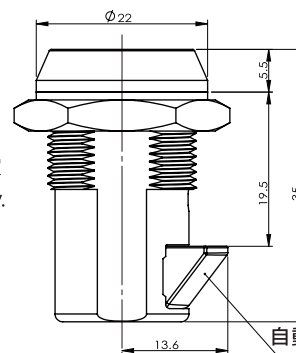
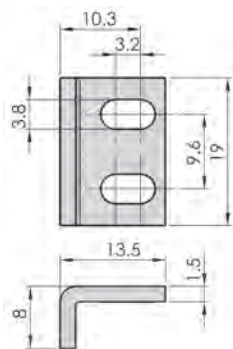
門板

回復式鎖舌

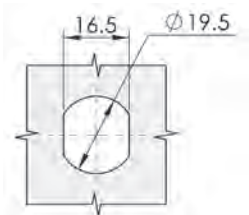
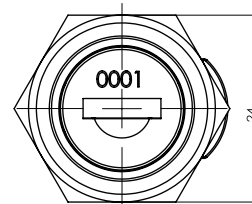


MS-826-K72-3

- 材質：鋅合金
- Material: Zinc Alloy
- 表面處理：基座 & 鎖芯 - 鍍鉻 · 其餘電鍍鋅
- S.Tr: Base & Lock Cylinder - Chrome Plated, Other Parts - Zinc Plated
- 最大靜載荷：340N
- Maximum Static Load: 340N
- 可以選配 WP003 防水蓋和 HP003 取手
- Optional: can be used with WP003 Dust Cover and HP003 Pull Tab
- 關閉門板，不需旋轉鑰匙上鎖，鎖舌自動鎖定
- Simply push the door to lock automatically. No need to use the key.



自動回復鎖門 (Automatic rebound cam)



開孔尺寸 Cut Out

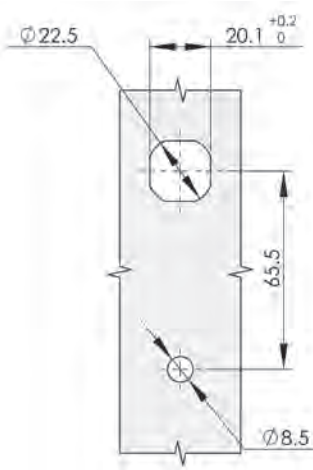


# 不銹鋼 · 附掛鎖座

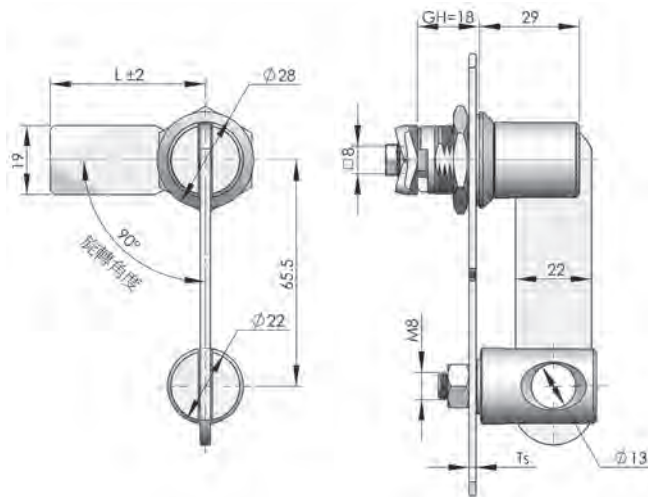
## STAINLESS STEEL LOCK WITH PADLOCK BRACKET

SUS 304 IP54 RL RoHS

- 材質：不銹鋼 304 • Material : Stainless Steel 304
- 表面處理：研磨震動拋光 • S. Tr: Vibration Polish Finish
- 最大靜載荷：270N • Maximum Static Load : 270N



開孔尺寸 Cut Out



標配 DS1B4500. 外定位擋片  
With DS1B4500 Cam

圓柱鎖  
QUARTER TURN TUBULAR LOCKS  
CYLINDER CAM LOCKS



MS-351

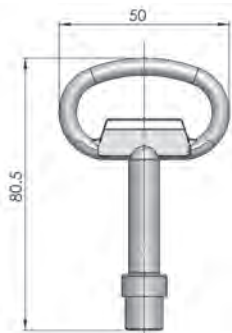


# 小型 · 不銹鋼 · 工具鑰匙開啟

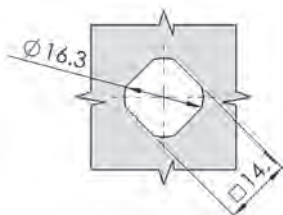
## MINI STAINLESS STEEL CAM LOCK WITH MECHANICAL KEY

SUS 304 RL RoHS

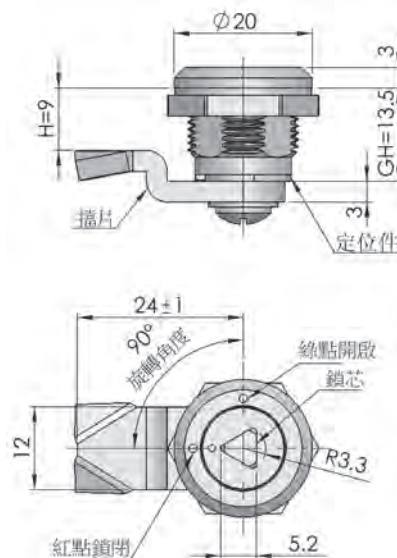
- 材質：不銹鋼 304
- Material : Stainless Steel 304
- 最大靜載荷：270N
- Maximum Static Load : 270N



鑰匙 KEY



開孔尺寸 Cut Out



MS-845-7B

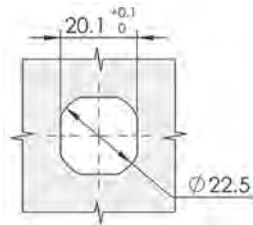
## 不同號鎖芯訂製

## CUSTOMIZED KEYED DIFFERENT LOCK

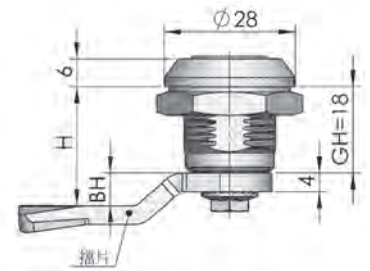
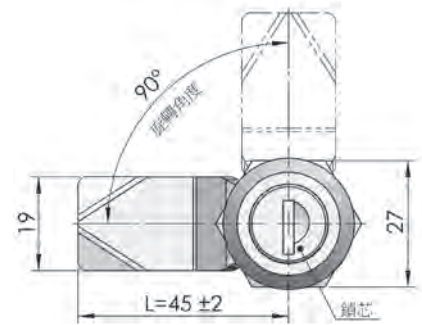


MS-705-3E

- 材質：主體 - 鋅合金，擋片 - 鐵製
- Material : Body - Zinc Alloy, Cam - Steel
- 表面處理：主體 - 噴塑 (黑淡光) · 擋片鍍鋅
- S. Tr : Body - Matt Black Finish, Cam - Zinc Plated
- 可選配訂製 500 組雜號鎖芯
- Available in 500 different key combination (customized)
- 常規品為同號鎖芯
- Standard specification : Keyed alike
- 最大靜載荷：220N
- Maximum Static Load : 220N
- 開啟後鑰匙不可拔出，當成手柄可將門板拉開
- The key can't pulled out after opening, and the key becomes the handle to pull the door open



開孔尺寸 Cut Out



擋片可選 S1B45 系列

## 不銹鋼 316. 工具型衛生鎖

## STAINLESS STEEL 316.



## 防護等級：IP65

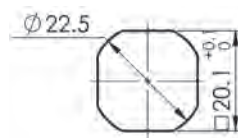
- 鎖體材質：不銹鋼 316
- Material : Body - Stainless Steel 316
- 表面處理：擋片電解
- S. Tr : Cam - Polished Finish
- 鎖芯旋轉扭矩：0.5N.m~2.5N.m
- Lock Cylinder Torque : 0.5N.m~2.5N.m
- 擋片承載力：300N
- Cam Strength : 300N
- 最大輸入扭矩：9N.m
- Maximum Input Torque : 9N.m
- 專為衛生環境應用設計，符合國際衛生規範要求
- Specially designed for hygienic environment applications, in line with international hygienic regulations



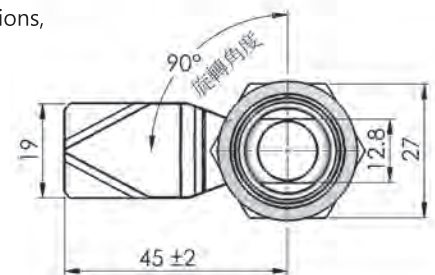
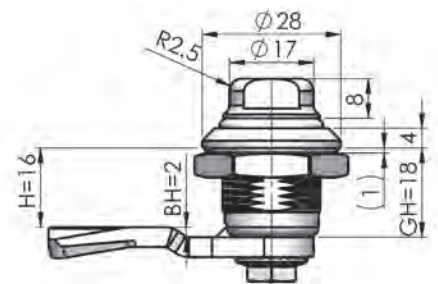
MS-705-27



一體成型密封圈



開孔尺寸 Cut Out



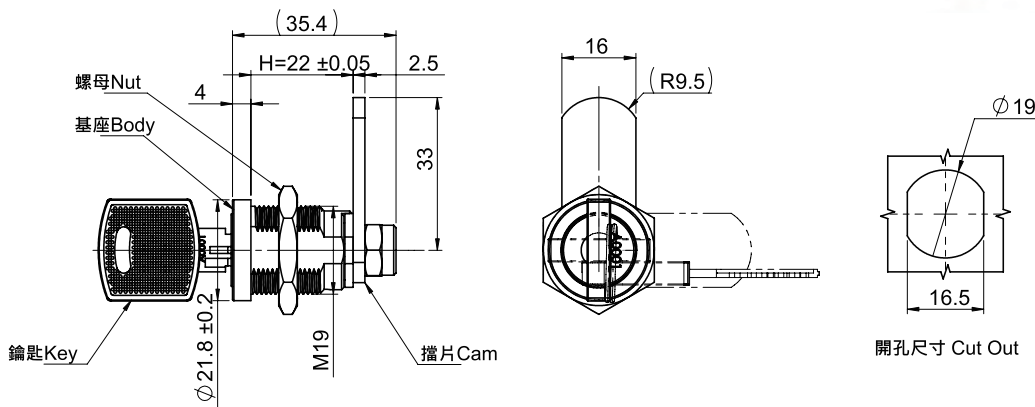
擋片可選外定位 DS1B45 系列

# 鑰匙型 . 不同號鎖心

## KEY DIFFERENT TUBULAR LOCK



- 材質 : 鋅合金、鋼鐵擋片
- Material: Body-Zinc Alloy ; Cam-Steel
- 表面處理 : 鍍鉻鎖體、鍍鋅擋片
- S.Tr: Body-Bright chrome plated,Cam-zinc plated
- 變換限位墊片方向 · 可左右門共用
- The lock can be adjusted to fit left or right opening door by changing the rotating direction of the cam
- 最大靜載荷 : 230N
- Maximum Static Load: 230N
- 可選訂製 2000 組 不同號鎖芯, 常規品為同號鎖芯
- Available in 2000 different key combination(customized)
- Standard specification: Keyed alike
- 開啟後鑰匙不可拔出, 當成把手柄可將門板拉開
- The key can't pulled out after opening, and the key becomes the handle to pull the door open



# 圓柱鎖

QUARTER TURN TUBULAR LOCKS

CYLINDER CAM LOCKS



MS-760-5A

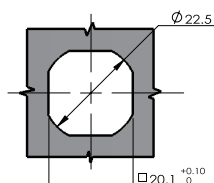
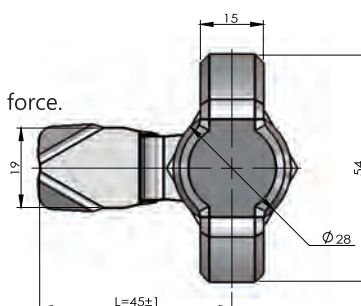
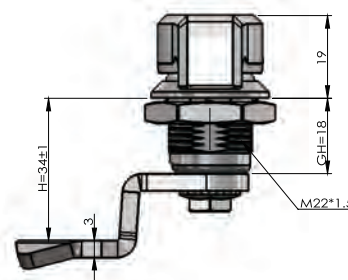
# 翼型 . 手旋 . 不銹鋼 316 . 高耐鹽霧

## WING KNOB WATERPROOF CAM LATCH. SUS316



### 防護等級 : IP65

- 鎖體材質 : 主體全不銹鋼 316 . 擋片不銹鋼 304
- Material: Body-Stainless Steel 316 .Cam- Stainless Steel 304
- 表面處理 : 高耐鹽霧黑漆
- S.Tr: High salt spray resistant coating.Black.
- 擋片承載力 : 300N.
- Cam Strength: 300N
- 最大輸入扭矩 : 9N.m • 最大靜載荷 : 270N.m
- Maximum Input Torque: 9N.m Maximum Static Load: 270N
- 適用於戶外型設備箱體門板上 . 旋轉開啟時, 手柄有些微阻尼力 .
- Maximum Input Torque: 9N.m Maximum Static Load: 270N
- Applicable to the door panel of the outdoor equipment.
- When the rotation is turned on, the handle has some slight damping force.



**\* 鹽霧測試可達 700 小時 \***  
**\* Salt spray test can be 700 hours\***



MS-705-3P-316



## 壓縮迫緊 · 特殊工具鑰匙

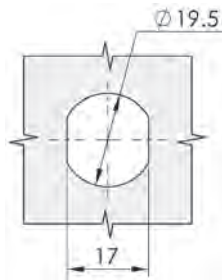
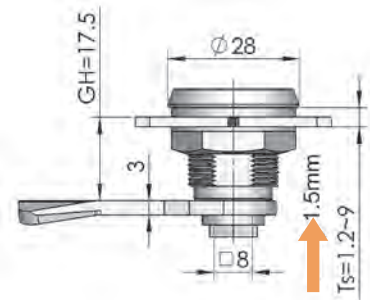
### Compression Type



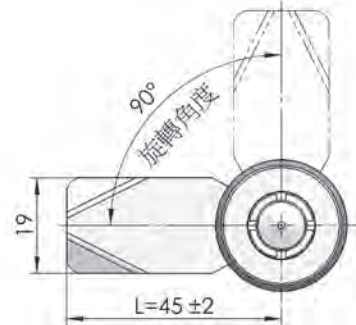
- 材質：主體、鎖芯 - 鋅合金，擋片 - 鐵製
- Material : Body - Zinc Alloy, Cam - Steel
- 表面處理：主體、鎖芯 - 鍍亮鉻，擋片 - 鍍鋅
- S. Tr : Body - Bright Chrome Finish, Cam - Zinc Plated
- 最大靜載荷：270N
- Maximum Static Load : 270N
- 最大輸入扭矩：8N.m
- Maximum Input Torque : 8N.m
- 選配：TX-2016 取手 (見附件)



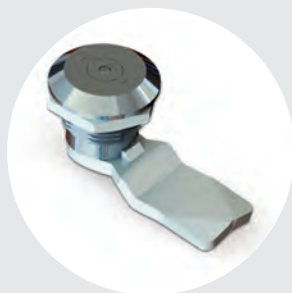
MS-734



開孔尺寸 Cut Out



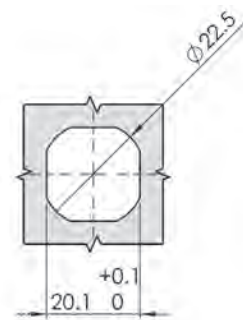
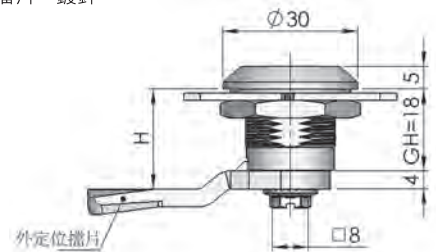
擋片可選 S1B45 系列  
標配 S1B4500 平擋片



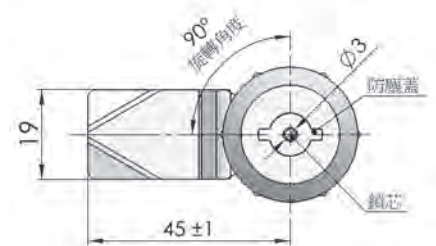
MS-773

## 防護等級：IP55

- 材質：主體、防塵板、鎖芯、螺母 - 鋅合金，擋片、螺絲 - 鐵製
- Material: Body - Zinc Alloy, Cam - Steel
- 表面處理：主體、防塵板、鎖芯 - 鍍鉻，螺母、螺絲、擋片 - 鍍鋅
- S. Tr : Body - Chrome Plated, Cam - Zinc Plated
- 最大靜載荷：270N
- Maximum Static Load : 270N
- 最大輸入扭矩：9N.m
- Maximum Input Torque : 9N.m



開孔尺寸 Cut Out



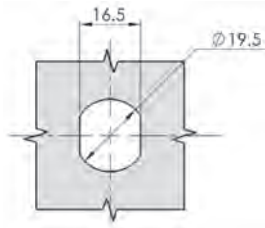
擋片可選 DS1B45 系列 (外定位)

# 鑰匙 · 手旋開啟

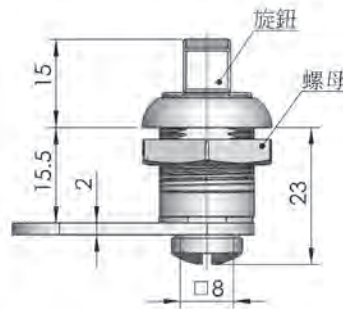
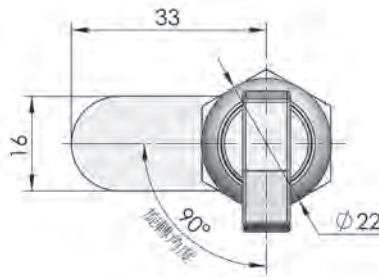
KEY. HAND OPERATED



- 材質：主體 - 鋅合金 · 擋片 - 鐵製
- Material: Body - Zinc Alloy, Cam - Steel
- 表面處理：主體 - 鍍亮光鉻 · 擋片 - 鍍鋅
- S. Tr: Body - Bright Chrome Finish, Cam - Zinc Plated
- 最大靜載荷：160N
- Maximum Static Load : 160N
- 最大輸入扭矩：40N.m( 旋鈕型 )
- Maximum Input Torque : 40N.m



開孔尺寸 Cut Out



型號 Item No	規格 . SPEC
MS-745-1	帶鎖芯型
MS-745-2	旋鈕型

# 圓柱鎖

QUARTER TURN TUBULAR LOCKS

CYLINDER CAM LOCKS



MS-745-1



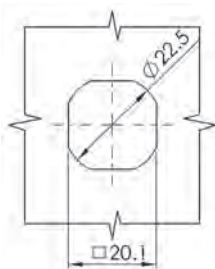
MS-745-2

# 防震型 · 附防塵蓋

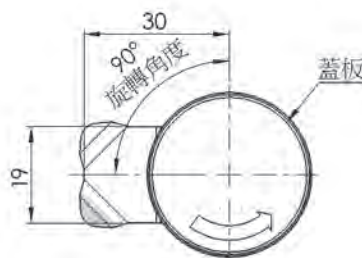
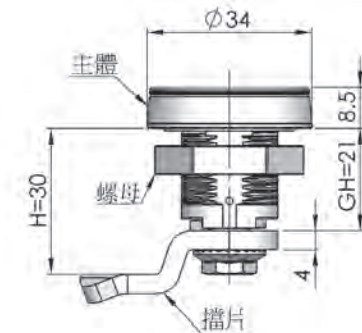
VIBRATION RESISTANT TYPE. WITH BUILT-IN DUST COVER



- 材質：主體、蓋板、鎖芯、螺母、鑰匙 - 鋅合金 · 擋片 - 鐵製
- Material: Body - Zinc Alloy, Cam - Steel
- 表面處理：主體、蓋板、鎖芯、鑰匙 - 鍍鉻
- S. Tr: Body - Chrome Plated
- 最大靜載荷：270N
- Maximum Static Load : 270N
- 最大輸入扭矩：9N.m
- Maximum Input Torque : 9N.m



開孔尺寸 Cut Out



MS-758

## 防震型 · 附防塵蓋

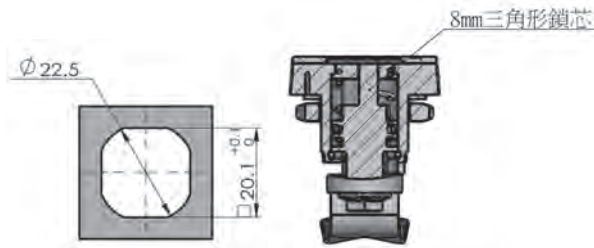
VIBRATION RESISTANT TYPE. WITH BUILT-IN DUST COVER



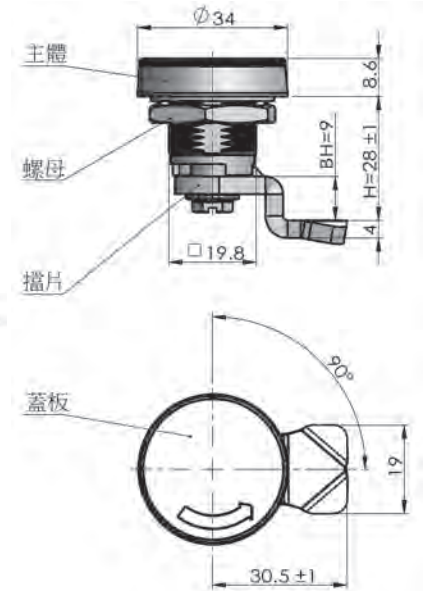
- 材質：主體、蓋板、鎖芯 - 鋅合金，擋片 - 不銹鋼
- Material: Body - Zinc Alloy, Cam - Stainless Steel
- 表面處理：主體、蓋板、鎖芯 - 鍍鎳
- S. Tr: Body - Chrome Plated
- 最大靜載荷：270N
- Maximum Static Load : 270N
- 最大輸入扭矩：9N.m
- Maximum Input Load : 9N.m



MS-758-2



開孔尺寸 Cut Out



## 壓縮型圓鎖 · 特殊工具鑰匙

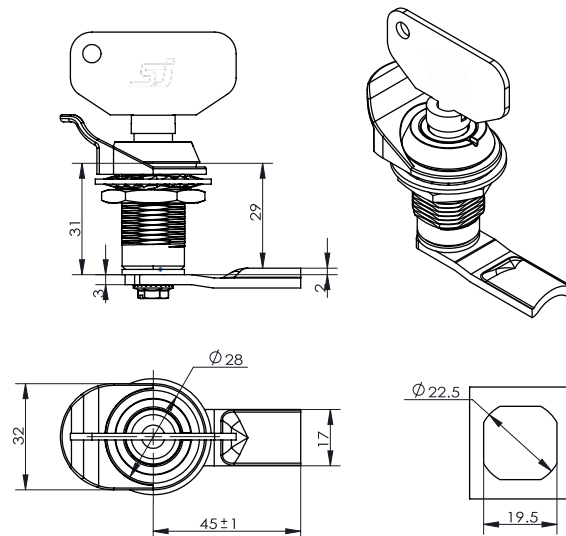
Compression Latches . Tool key



- 工具鑰匙開啟
- 材質：鎖體 - 鋅合金、擋片 - 鐵
- 表面處理：鎖體 - 黑色烤漆、擋片 - 鍍鋅
- 最大靜載荷：300N
- Tool key to open
- Material: Body-zinc alloy, Cam-Steel
- S.Tr: Body - Black paint, Cam - Zinc plated.
- Maximum static load: 300N



MS-816-1-12-B



開孔尺寸 Cut Out

選配組件 Optional



防塵蓋 WP-001



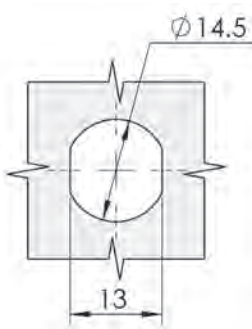
取手 TX-2014

# 壓縮迫緊型圓柱鎖 · 可調間距 · 一字工具型

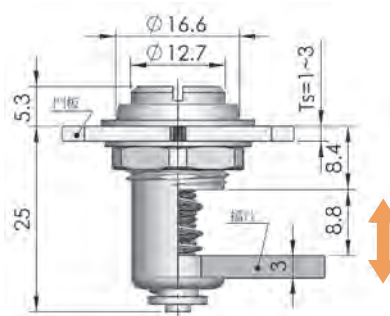
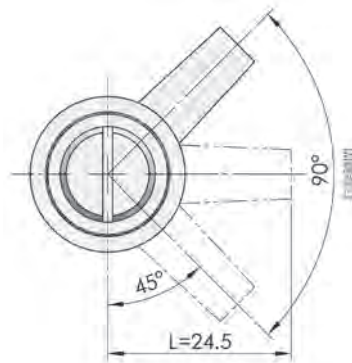
ADJUSTABLE RANGE. SLOTTED DRIVE TYPE



- 材質：主體 - 鋅合金 · 轉軸、擋片 - 鐵製
- Material: Body - Zinc Alloy, Cam - Steel
- 表面處理：鍍鋅
- S. Tr : Zinc Plated
- 最大靜載荷：210N
- Maximum Static Load : 210N
- 最大輸入扭矩：11N.m
- Maximum Input Torque : 11N.m



開孔尺寸 Cut Out



左旋鎖閉	右旋鎖閉
MS-811-4L	MS-811-4R

## 圓柱鎖

QUARTER TURN TUBULAR LOCKS

CYLINDER CAM LOCKS



MS-811-4

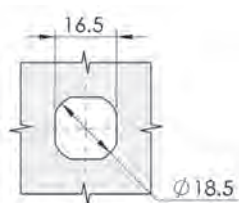


# 鑰匙 · 手旋開啟

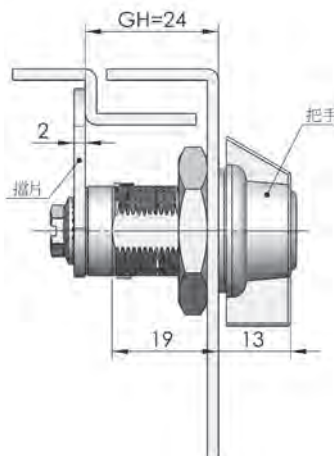
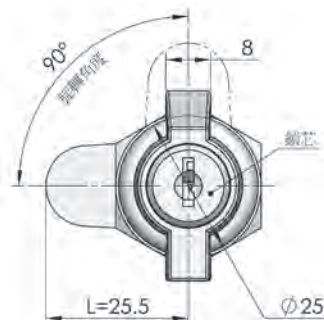
KEY. HAND OPERATED



- 材質：主體、手柄、鎖芯 - 鋅合金 · 擋片 - 鐵製
- Material: Body - Zinc Plated, Cam - Steel
- 表面處理：主體、手柄 - 噴漆 (黑淡光) · 擋片 - 鍍鋅
- S. Tr : Body - Matt Black Finish, Cam - Zinc Plated
- 最大靜載荷：100N
- Maximum Static Load : 100N



開孔尺寸 Cut Out



MS-815-1

# 小型双翼手柄 · 手旋開啟

WING KNOB KEY-LOCKING. HAND OPERATED

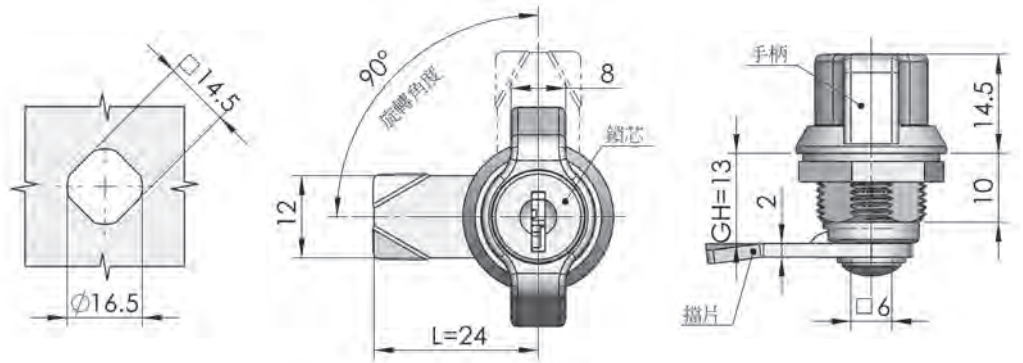
IP54 RoHS

## 防護等級：IP54

- 材質：主體、鎖芯 - 鋅合金 · 擋片 - 鐵製
- Material: Body - Zinc Plated, Cam - Steel
- 表面處理：主體、手柄 - 噴漆 (黑) · 擋片 - 鍍鋅
- S. Tr : Body - Black Powder Coated, Cam - Zinc Plated
- 最大靜載荷：270N
- Maximum Static Load : 270N



MS-815-2



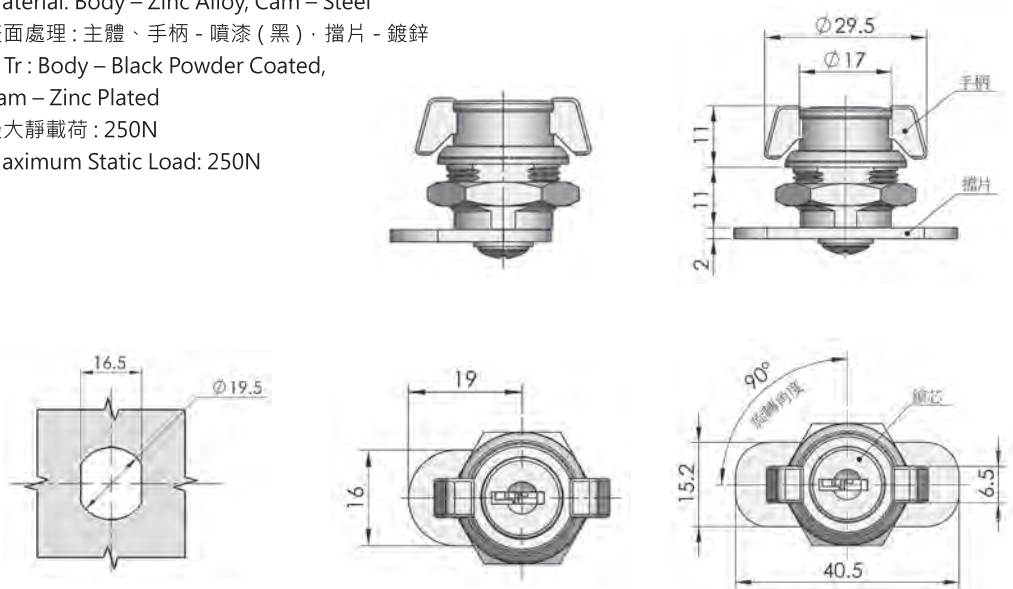
開孔尺寸 Cut Out



MS-815-3B

- 材質：主體、鎖芯 - 鋅合金 · 擋片 - 鐵製
- Material: Body - Zinc Alloy, Cam - Steel
- 表面處理：主體、手柄 - 噴漆 (黑) · 擋片 - 鍍鋅
- S. Tr : Body - Black Powder Coated,
- Cam - Zinc Plated
- 最大靜載荷：250N
- Maximum Static Load: 250N

RoHS



開孔尺寸 Cut Out

MS-815-3B

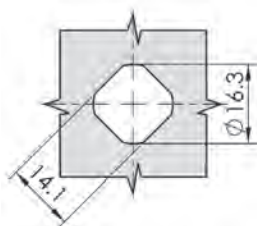
MS-815-3A

# 手旋開啟 · 嵌入快速安裝

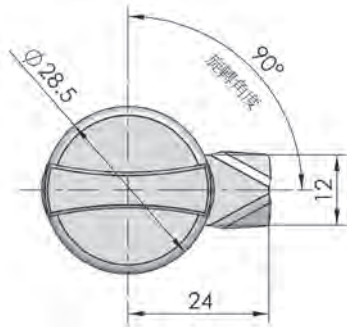
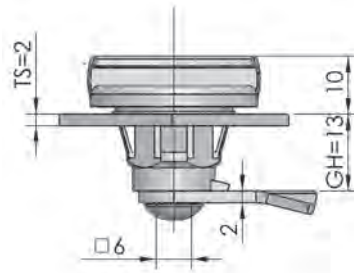
HAND-TURNED. EASY TO INSTALL



- 材質：主體 - PA
- Material : Body - PA
- 表面處理：擋片 - 鐵鍍鋅
- S. Tr : Zinc Plated
- 最大靜載荷：220N
- Maximum Static Load: 220N
- 主體為快速安裝方式  
Snap-in



開孔尺寸 Cut Out



## 圓柱鎖

QUARTER TURN TUBULAR LOCKS

CYLINDER CAM LOCKS



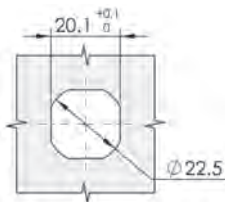
MS-845-5

# 推入鎖定型

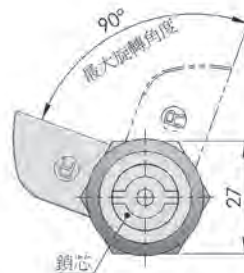
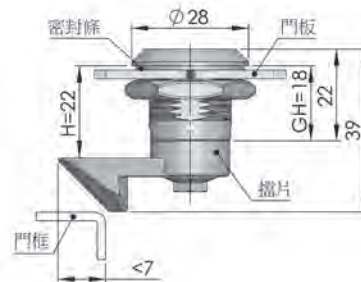
TUBULAR LOCK. PUSH TO CLOSE TYPE



- 材質：鋅合金
- Material: Zinc Alloy
- 表面處理：亮光鉻
- S. Tr : Bright Chrome Finish
- 最大靜載荷：270N
- Maximum Static Load : 270N
- 最大輸入扭矩：9N.m
- Maximum Input Torque : 9N.m
- 具有自動鎖閉功能 · 推回關閉 · 自動鎖定
- 選配：K15 鑰匙、TX-2014 取手 (見附件)、WP-002 防水蓋 (見附件)



開孔尺寸 Cut Out



MS-705-1W2DL  
MS-705-1W2DR

左擋片 (Left)	右擋片 (Right)
MS-705-1W2DL	MS-705-1W2DR

壓縮迫緊型圓柱鎖 · T 型手柄 · 間距可調

T HANDLE TYPE. ADJUSTABLE COMPRESSION



防護等級：IP65

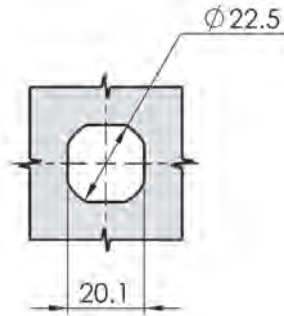
- 材質：主體、手柄、鎖芯 - 鋅合金，擋片 - 鐵製
- Material：Body - Zinc Alloy, Cam - Steel
- 表面處理：主體、手柄 - 黑麻面，擋片 - 鍍鋅
- S. Tr：Body - Matt Black Finish, Cam - Zinc Plated
- 壓縮鎖緊行程：7mm
- Compression Range：7mm
- 最大靜載荷：300N
- Maximum Static Load：300N
- 擋片可調夾持間距



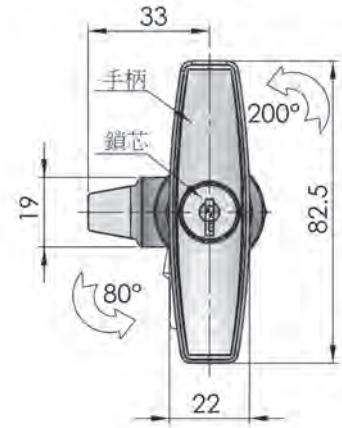
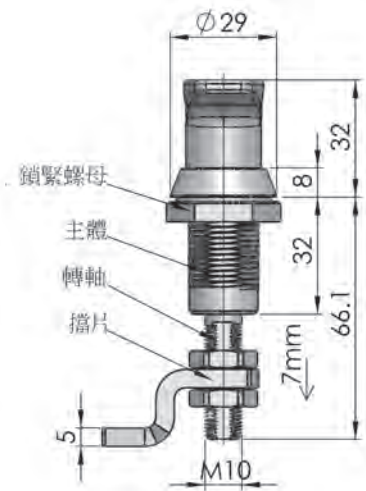
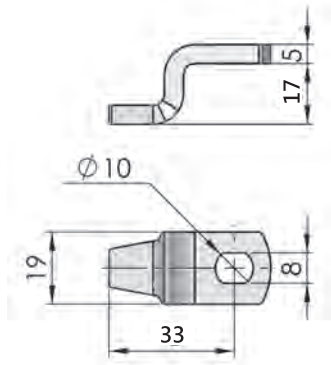
MS-816-1E-1



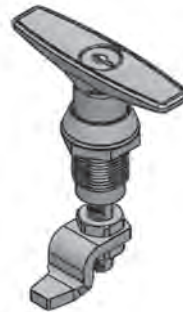
MS-816-1E-2



開孔尺寸 Cut Out



鑰匙 KEY



MS-816-1E-1



MS-816-1E-2

型號 Item No	規格 . SPEC
MS-816-1E-1	帶鎖芯型 Locking
MS-816-1E-2	無鎖芯型 Non Locking

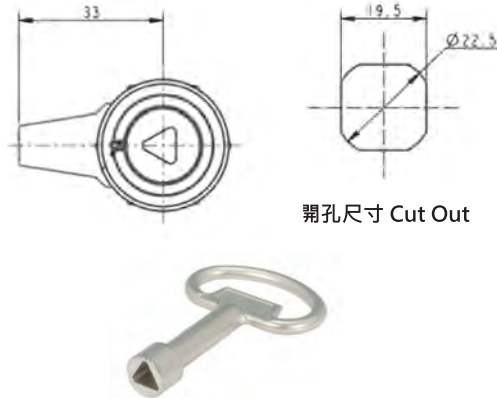
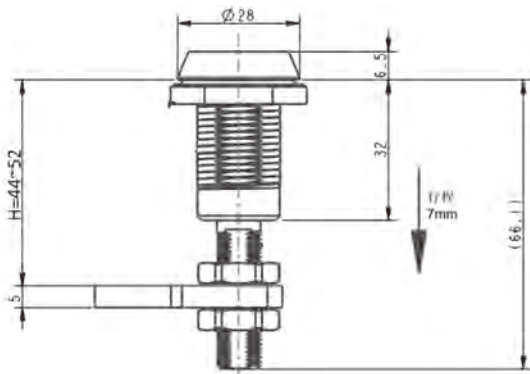
## 壓縮型圓柱鎖 . 可調間距 . 三角鎖心

Quarter Turn Compression Latch. Triangle lock cylinder



- 材質：鋅合金 - 主體、鎖芯；鐵製擋片
- 表面處理：黑色烤漆 - 主體、鎖芯；鍍鋅 - 擋片
- 擋片 90°旋轉實現開啟或鎖閉，具有壓縮迫緊功能
- 選配 K15-03 工具鑰匙
- 最大靜載荷：250N
- 最大輸入扭矩：9N.m
- 固定螺母的建議組裝力矩：20N.m

- Material: Zinc alloy - base & lock cylinder, carbon steel - Cam.
- S.Tr: Black powder coating - base & lock cylinder, Zinc-plated - Cam
- The steel cam is rotated 90° to realize opening or locking, with compression function
- K15-03 key is optional
- Maximum static load: 300N
- Maximum input torque: 11N.m
- Recommended tightening torque for fixing nut: 20N.m



K15-03

## 圓柱鎖

QUARTER TURN TUBULAR LOCKS

CYLINDER CAM LOCKS



MS-816-1A-3



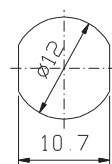
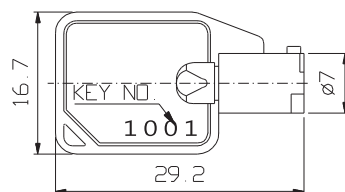
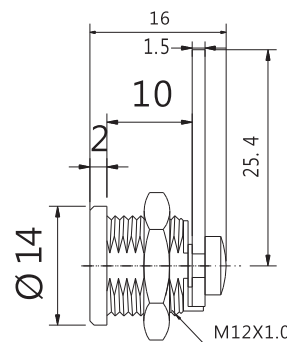
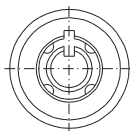
MS-8246

## 迷你圓鎖 . 低平安裝

MINI LOCK. LOW FLAT INSTALLATION



- 材質：鎖殼 & 鎖心 - 銅；擋片 - 鐵材質
- Material: lock body & cylinder - copper; Cam - Steel.
- 表面處理：鍍鉻
- S.Tr: Chrome Plated
- 關閉狀態時，鑰匙方可拔出，避免忘記鎖門；
- When it is closed, the key can be pulled out to avoid forgot lock the door;
- 打開狀態時，鑰匙可當成拉手柄。
- When open, the key can be used as a pull handle.



開孔尺寸 Cut Out



MS-8246

軌道設備鎖 . IP65. 不鏽鋼壓縮型圓鎖 .

RAILWAY EQUIPMENT LOCK.COMPRESSION . IP65.



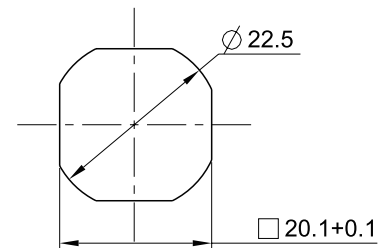
防護等級 : IP65

- 材質 : 主體 - 不鏽鋼 304 鑄造 .
- 表面處理 : 拋光
- 擋片壓縮行程 : 6mm
- 防塵防水等級 : IP65
- 建議門板搭配密封膠條使用 , 以發揮此款門鎖最佳壓縮迫緊效果 .
- 適用於戶外配電櫃 , 軍用設備 , 軌道列車設備 , 食品機械
- MS-816-4E-Y-H28 為右旋開啟
- MS-816-4E-Z-H28 為左旋開啟

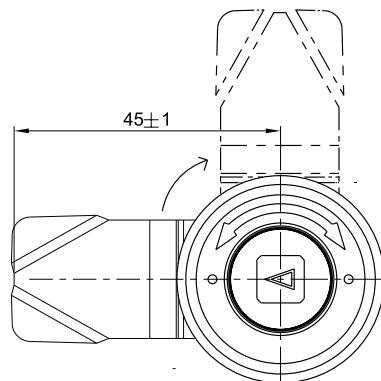
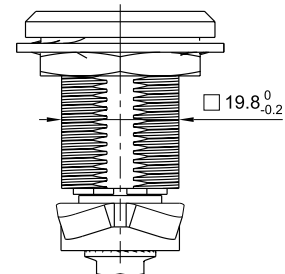
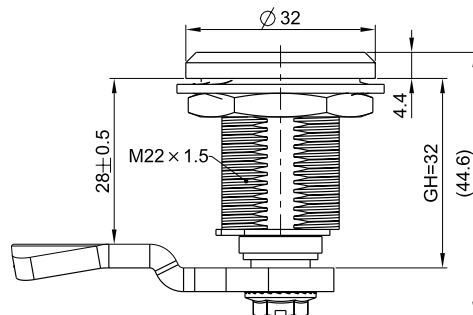
- Material : Stainless Steel 304
- S.Tr : Polish finish
- The cam compression stroke : 6mm
- Dustproof and waterproof grade : IP65
- It is recommended that the door panel be used with a sealing strip to maximize the compression and tightening effect of this door lock.
- Suitable for outdoor power distribution cabinets, military equipment, rail equipment, food machinery.
- MS-816-4E-Y-H28 is open for right rotation
- MS-816-4E-Z-H28 is open for left rotation



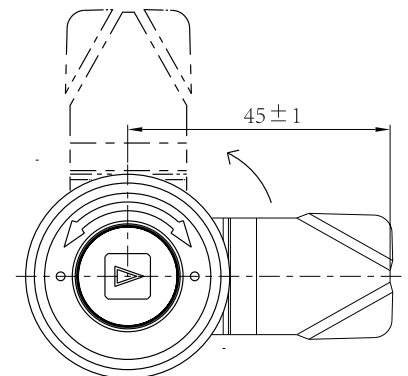
MS-816-4E-Y-H28  
MS-816-4E-Y-Z28



開孔尺寸 Cut Out



MS-816-4E-Y-H28  
右旋開啟



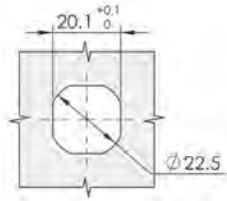
MS-816-4E-Y-Z28  
左旋開啟

# 壓縮迫緊型圓柱鎖 · 工具鑰匙

Compression Tubular Lock · Mechanical key



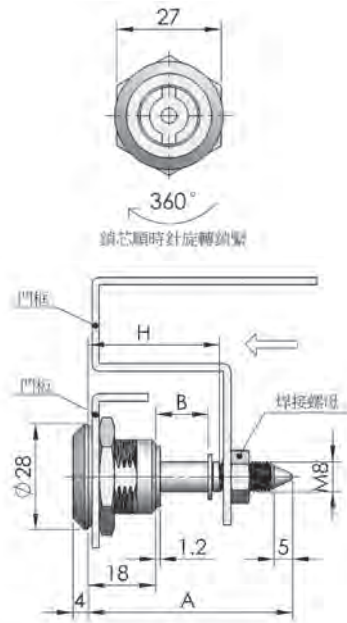
- 材質：主體 - 鋅合金 · 鎖芯 - 鐵製
- Material: Body - Zinc Alloy
- 表面處理：主體、鎖芯 - 鍍亮鎳
- S. Tr : Body & Lock Cylinder - Bright Chrome Finish
- 最大輸入扭矩：9N.m
- Maximum Static Load : 9N.m
- 可壓縮迫緊物件



開孔尺寸 Cut Out

單位：(mm)

型號 Item No	規格 . SPEC
MS-704-1	A=40 B=2.5 H=23
MS-704-2	A=46 B=7.5 H=28
MS-704-3	A=54 B=13.5 H=34



## 圓柱鎖

QUARTER TURN TUBULAR LOCKS

CYLINDER CAM LOCKS



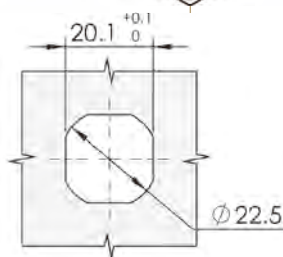
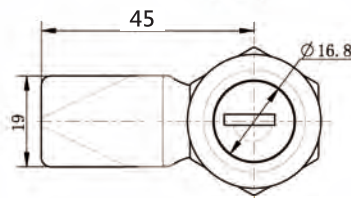
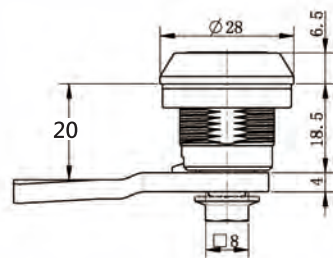
MS-704

## 不銹鋼 316 圓鎖 . IP65

STAINLESS STEEL 316 LOCK. IP65. WATERPROOF



- 材質：不銹鋼 316 鎖體
- Material: stainless steel lock body
- 表面處理：拋光
- S.Tr:Polish
- 適用門板厚度：1~5mm
- Applicable door thickness: 1~5mm



開孔尺寸 Cut Out

選配組件 Optional



取手 TX-2014



防水蓋 WP-001



MS-7366-SS







# 防水平面把手

## Waterproof Flat Lift-and-Turn Latch



- 材質：鋅合金
- Material: Zinc Alloy
- 表面處理：電鍍處理硬化亮鎳
- S.Tr: Electroplated with chrome.



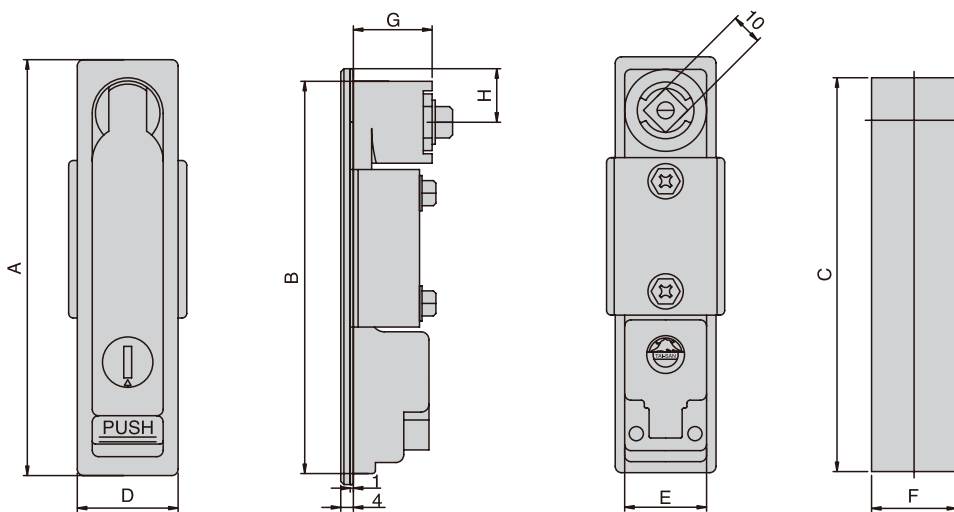
MS-712



MS-711



MS-713-2A



開孔尺寸 Cut Out

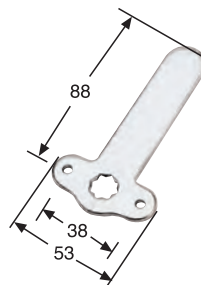
TX-201  
1200m/m



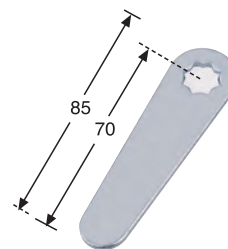
TX-201-2  
2400m/m



TX-002



TX-004



適用連桿、舌片

單位：(mm)

Item No.	A	B	C	D	E	F	G	H
MS-712	149	140	141	40	29	30	31	20
MS-711	132	124	125	32	26	27	28	17
MS-713-2A	92	84	85	33.5	26.5	27.5	30	17

# 機櫃鎖 . 不同號碼鎖心 . 高防盜性

## CABINET LOCK . DIFFERENT KEY . HIGH ANTI-THEFT



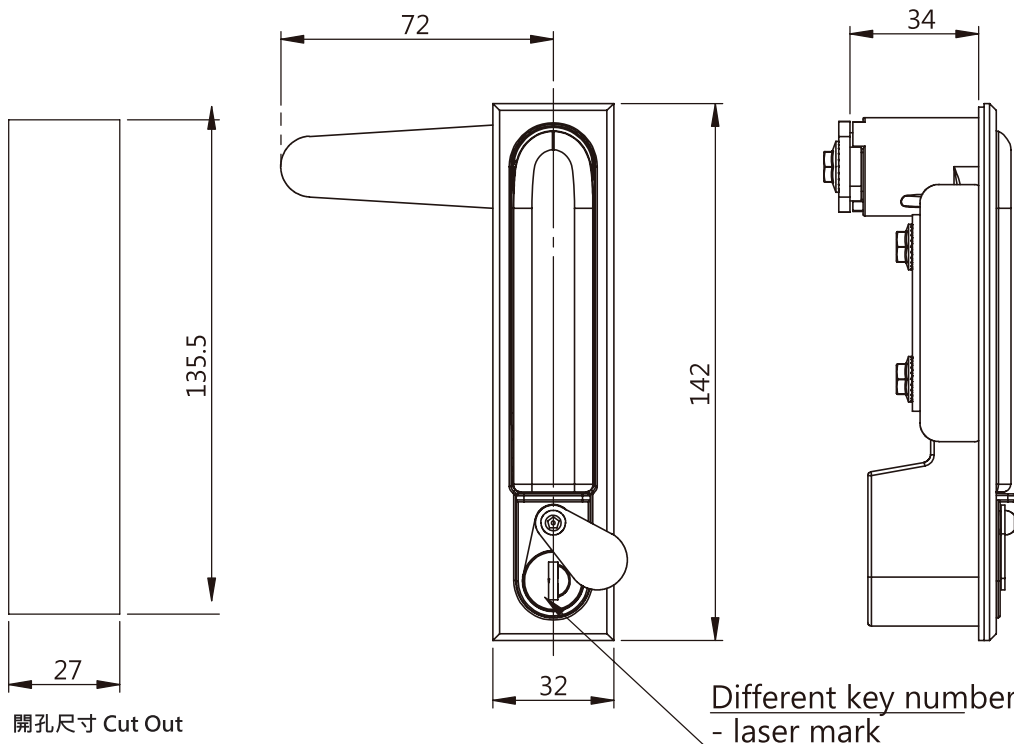
平面鎖

LATCHES

- 材質 : 主體 - 鋅合金
- Material: Zinc Alloy
- 表面處理 : 主體 - 黑色塗裝
- S.Tr: Black Finish
- 手柄承載拉力值 :  $\leq 310\text{N}$
- Handle Strength:  $\leq 310\text{N}$
- 手柄承載扭矩值 :  $\leq 33\text{N.m}$
- Handle Torque:  $\leq 33\text{N.m}$
- 最大靜載荷 : 300N
- Maximum Static Load: 300N
- 需先使用特殊工具打開鎖芯保護蓋 . 方可插入鑰匙如無需鎖心保護蓋 , 亦可將其拆除 . 可配置 1000 組不同號碼鎖芯
- Can be made with different lock and key combination( over 1000 key numbers )
- 使用壽命測試超過 10000 次
- Life cycle test more than 10,000 times
- 手柄壓回自動鎖閉 , 避免使用者忘記上鎖 .
- The handle is pressed back to automatically lock, Prevent the user forgot to lock it.



MS-818-1S-KD-72-3



## 平面把手鎖

### FLAT LIFT-and-turn latch



MS-818-1A

材質：主體 - 鋁合金、手柄 - 鋅合金、擋片 - 鐵製

Material: Body-Aluminum Alloy, Handle-Zinc Alloy

表面處理：黑色塗裝、擋片 - 鍍鋅

S.Tr: Black Finish

手柄承載拉力值： $\leq 550N$

Handle Strength： $\leq 550N$

手柄：水平方向扭矩  $\geq 40N.m$

Handle: Horizontal torque  $\geq 40N.m$

附掛鎖座，使用者自行配置掛鎖增強防盜性

Attached padlock seat, the user configures the padlock to enhance the anti-theft.

掛鎖座：垂直方向拉力  $\geq 1800N$

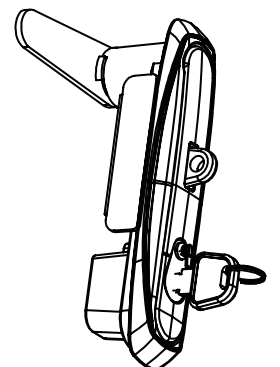
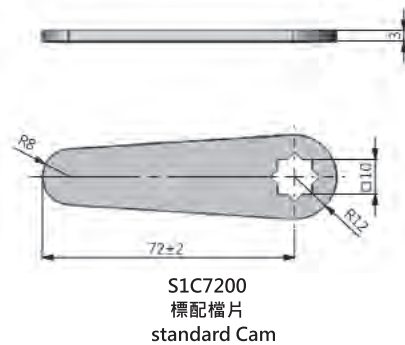
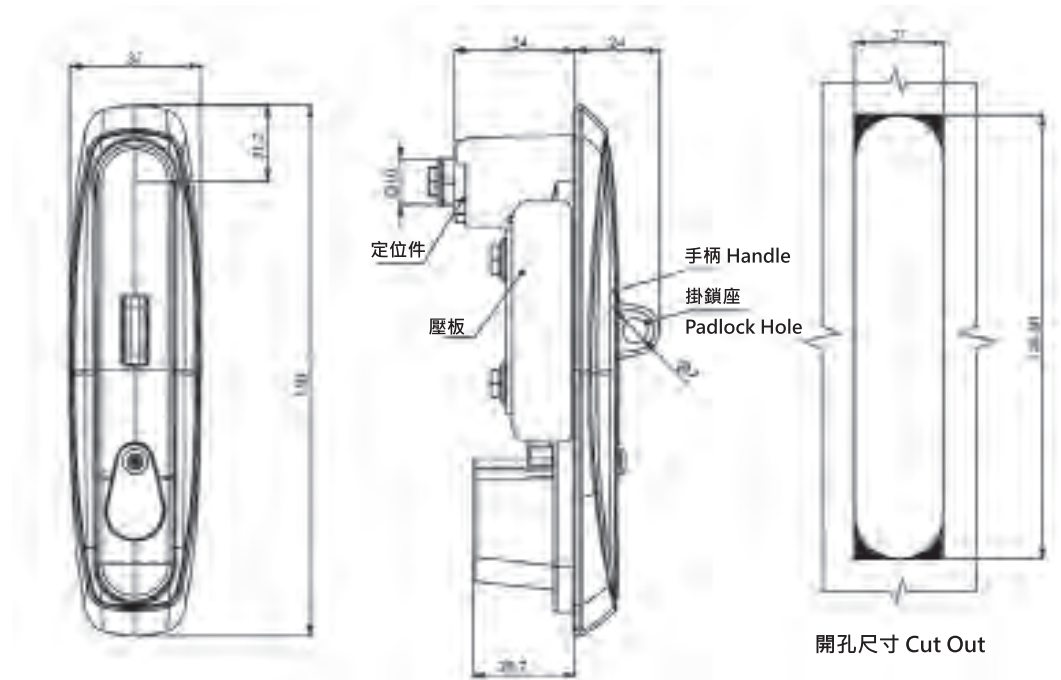
Padlock seat: vertical pull force  $\geq 1800N$

鎖心自動復位，推入手柄即鎖定。

The lock is automatically reset and the push handle is locked.

不銹鋼鎖心外蓋 - 具防水、防塵、防撬開功能

Stainless steel cylinder cover - waterproof, dustproof, anti-theft

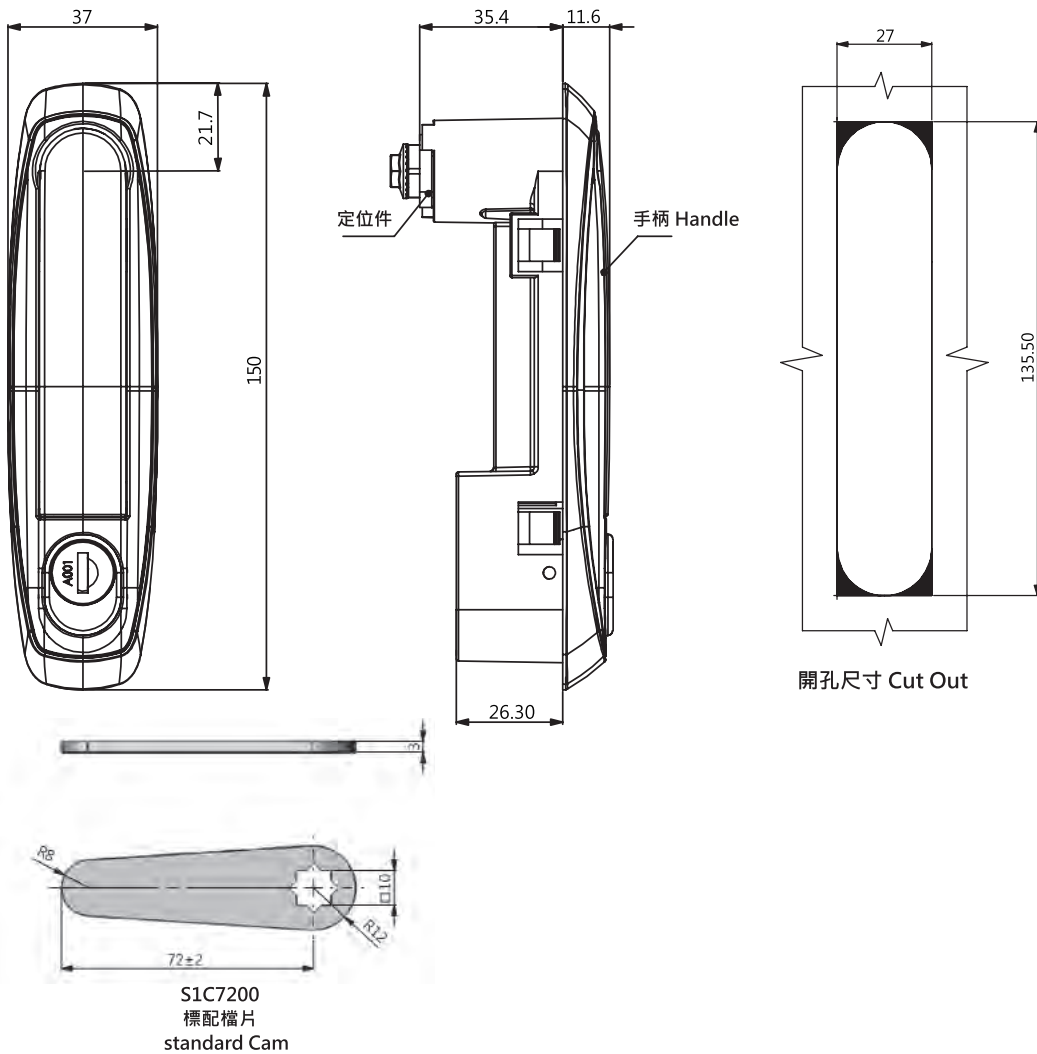


# 平面把手 . 快速安裝

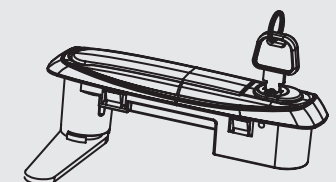
## Flat Lift-and-Turn Latch . Snap in



- 材質：基座：尼龍 + 玻璃纖維 (白色)，手柄：鋅合金 (黑色烤漆)
- 擋片：鐵鍍鋅
- Material: Body: PA6+GF30 Handle: Zinc alloy (black coating)
- Cam: Steel, zinc plated
- 適用板厚：1.0~1.5 m/m
- Panel thickness: 1.0~1.5 m/m
- 手柄：垂直方向承載拉力值  $\geq 800N$ ；水平方向扭矩  $\geq 300N.m$
- Handle Strength:  $\geq 800N$ ；Horizontal torque  $\geq 20N.m$
- 快速安裝卡扣：垂直方向拉力  $\geq 700N$
- Quick installation buckle: vertical pull force  $\geq 700N$
- 擋片鎖舌：垂直抗拉力  $\geq 800N$
- Cam: vertical tensile force  $\geq 800N$
- 門鎖通過連續 5000 次開啟與關閉測試合格。
- Passed 5,000 times consecutive opening and closing tests.
- 將門鎖按壓進入安裝孔，嵌入型卡扣即可夾住板件，
- Press this latch into the mounting hole, and the embedded type buckle can clamp the plate.
- 無需另外安裝壓板螺絲，節約組裝時間。
- Saving assembly time.



MS-818-2A

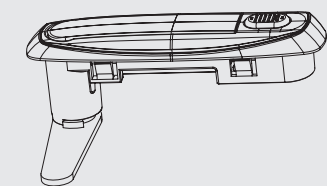


# 平面把手 . PA 塑料 . 快速安裝

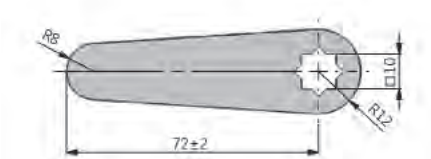
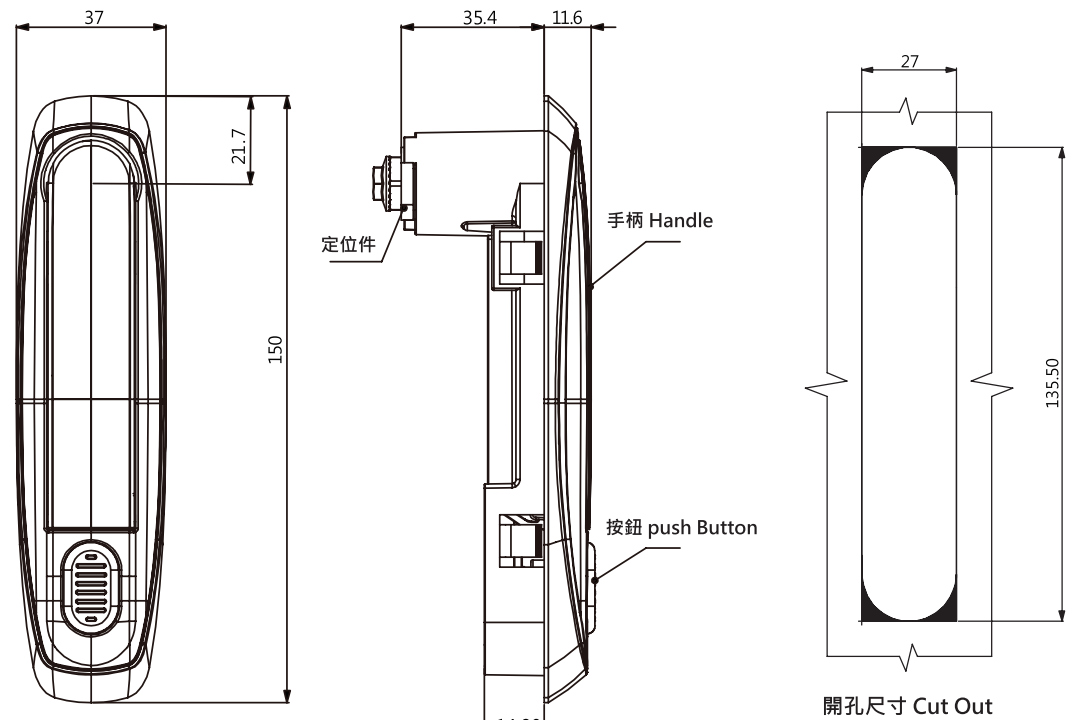
## Flat Lift-and-Turn Latch . Snap in



MS-818-3A



- 材質：鎖體：尼龍 + 玻璃纖維 (PA6+GF30) 擋片：鐵鍍鋅
- Material: Body: PA6+GF30 Cam: Steel, zinc plated
- 適用板厚：1.0~1.5 m/m
- Panel thickness: 1.0~1.5 m/m
- 手柄：垂直方向承載拉力值  $\geq 800\text{N}$ ；水平方向扭矩  $\geq 20\text{N.m}$
- Handle Strength:  $\geq 800\text{N}$ ；Horizontal torque  $\geq 20\text{N.m}$
- 快速安裝卡扣：垂直方向拉力  $\geq 700\text{N}$
- Quick installation buckle: vertical pull force  $\geq 700\text{N}$
- 擋片鎖舌：垂直抗拉力  $\geq 800\text{N}$
- Cam: vertical tensile force  $\geq 800\text{N}$
- 門鎖通過連續 5000 次開啟與關閉測試合格。
- Passed 5,000 times consecutive opening and closing tests.
- 按下按鈕，帶動手柄彈起，旋轉手柄 90 度後打開門板。
- Press the button for the handle up and rotate the handle 90 degrees to open the door.
- 將門鎖按壓進入安裝孔，嵌入型卡扣即可夾住板件，
- Press this latch into the mounting hole, and the embedded type buckle can clamp the plate.
- 無需另外安裝壓板螺絲，節約組裝時間。
- Saving assembly time.



S1C7200  
標配擋片  
standard Cam

# 防水平面把手

Waterproof Flat Lift-and-Turn Latch



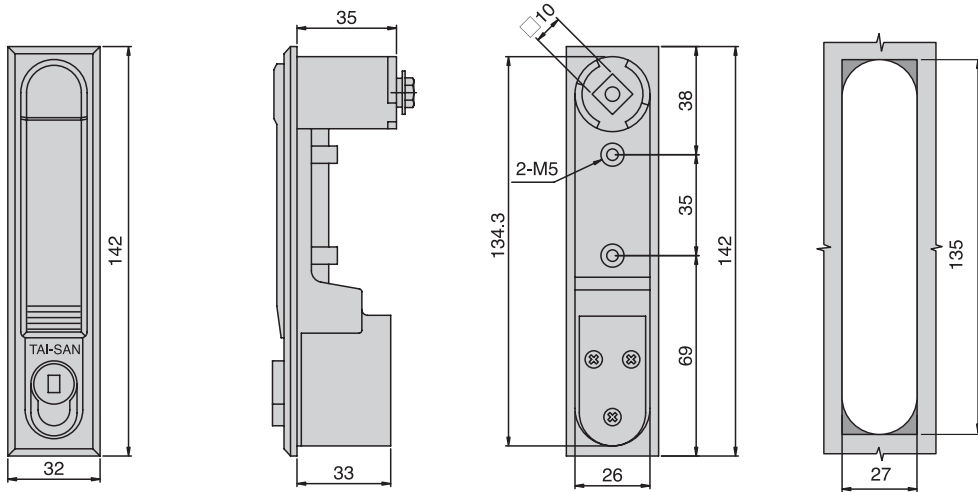
平面鎖

LATCHES

## MS-818 系列

- 材質：鋅合金
- Material : Zinc Alloy
- 表面處理：電鍍硬化黑鉻或亮鉻
- S.Tr : Electroplated with chrome.
- 適用：通信用機櫃、電控箱、箱體門板、機械設備
- Application : Telecommunication Cabinets, Electric Control Box, Cabinet Door, Machine Equipment

- 可訂製不同號鎖心 (200 組號碼)



開孔尺寸 Cut Out



MS-818-1-2



MS-818-3-2

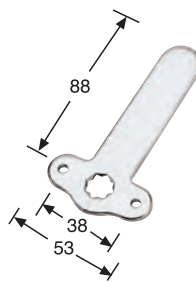
TX-201  
1200m/m



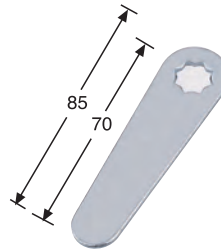
TX-201-2  
2400m/m



TX-002



TX-004



適用連桿、舌片

## 平面密碼鎖

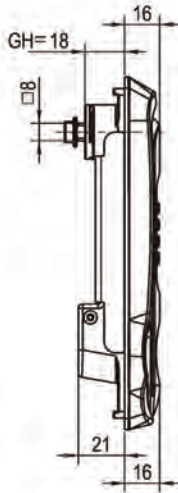
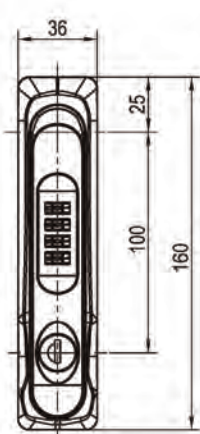
### COMBINATION LOCK. PASSWORD LOCK



- 材質：黑色 PA 塑料鎖體、鋅合金手柄
- Material: Handle- Zinc Alloy ; Body-PA
- 特徵：使用者可自行設定 4 位數密碼
- Feature: User can set 4 number passwords,
- 密碼設定簡單易操作，10 秒即可設定完成
- Password setting is simple and easy to operate, set within 10 seconds
- 詳細使用方法請洽詢本公司
- For detailed usage, please contact us



MS-1208-101-20



開孔尺寸  
Panel Cutout

## 密碼鎖

### Pin code handle



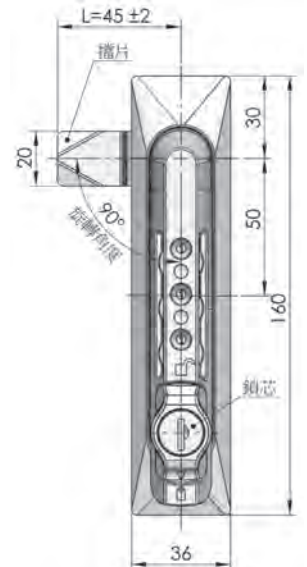
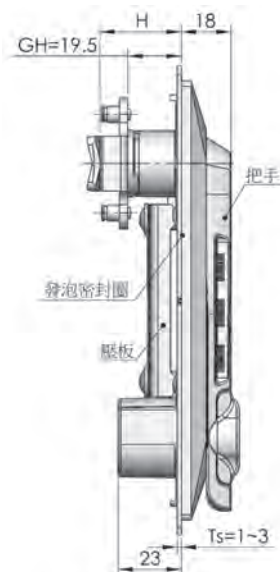
- 材質：尼龍 (PA)
- Material : PA
- 特徵：使用者可自行設定 3 位數密碼
- Feature: User can set 3 number passwords
- 詳細使用方法請洽詢本公司客服
- 標配擋片料號 :S3B4510



MS-200



開孔尺寸 Cut Out



# 平面 · 薄型 · 提轉開啟

## Flat Thin Lift-and-Turn Latch



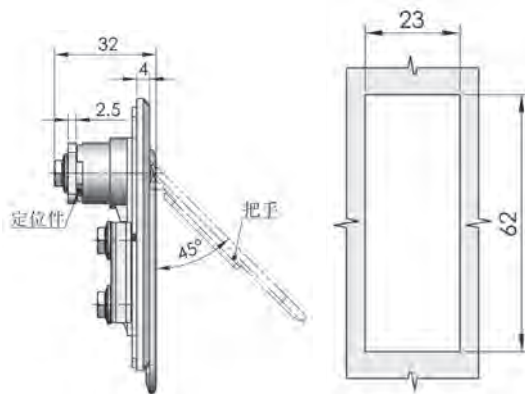
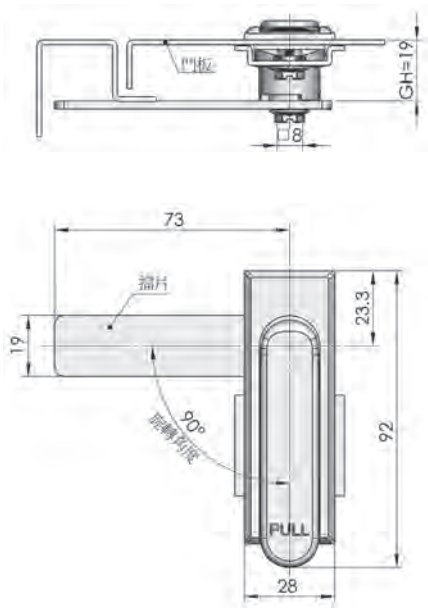
### 平面鎖

### LATCHES

- 材質：鋅合金
- Material : Zinc Alloy
- 表面處理：黑色塗裝
- S.Tr: black powder coated
- 最大靜載荷：150N
- Maximum Static Load: 150N
- 手柄最大拉力值：≤ 140N
- Handle Maximum Strength : ≤ 140N
- 手柄承載扭矩值：≤ 140N
- Handle Torque : ≤ 140N

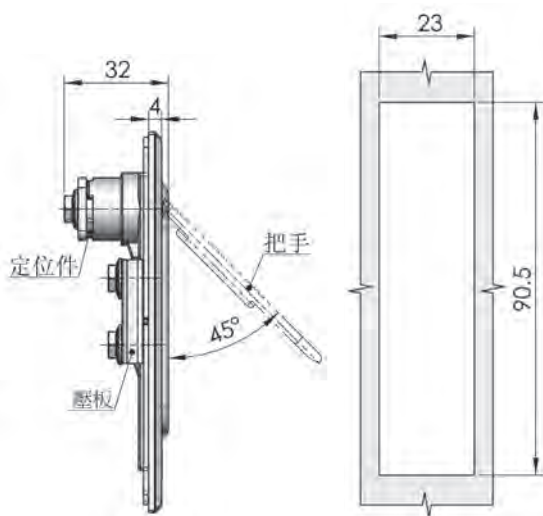
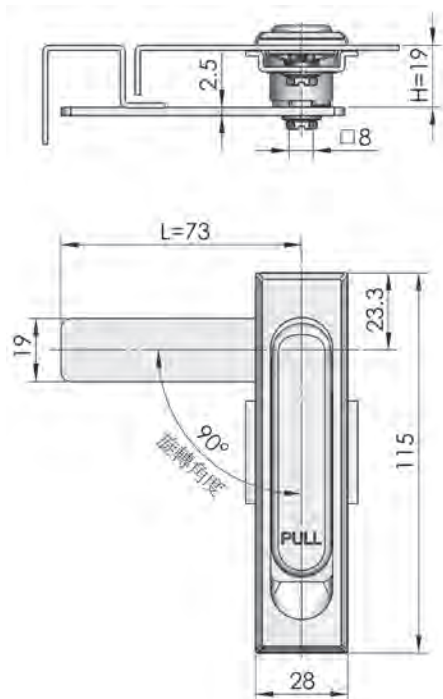


MS-717-1



MS-717-1

開孔尺寸 Cut Out MS-717-1



MS-717-2

開孔尺寸 Cut Out MS-717-2



MS-717-2

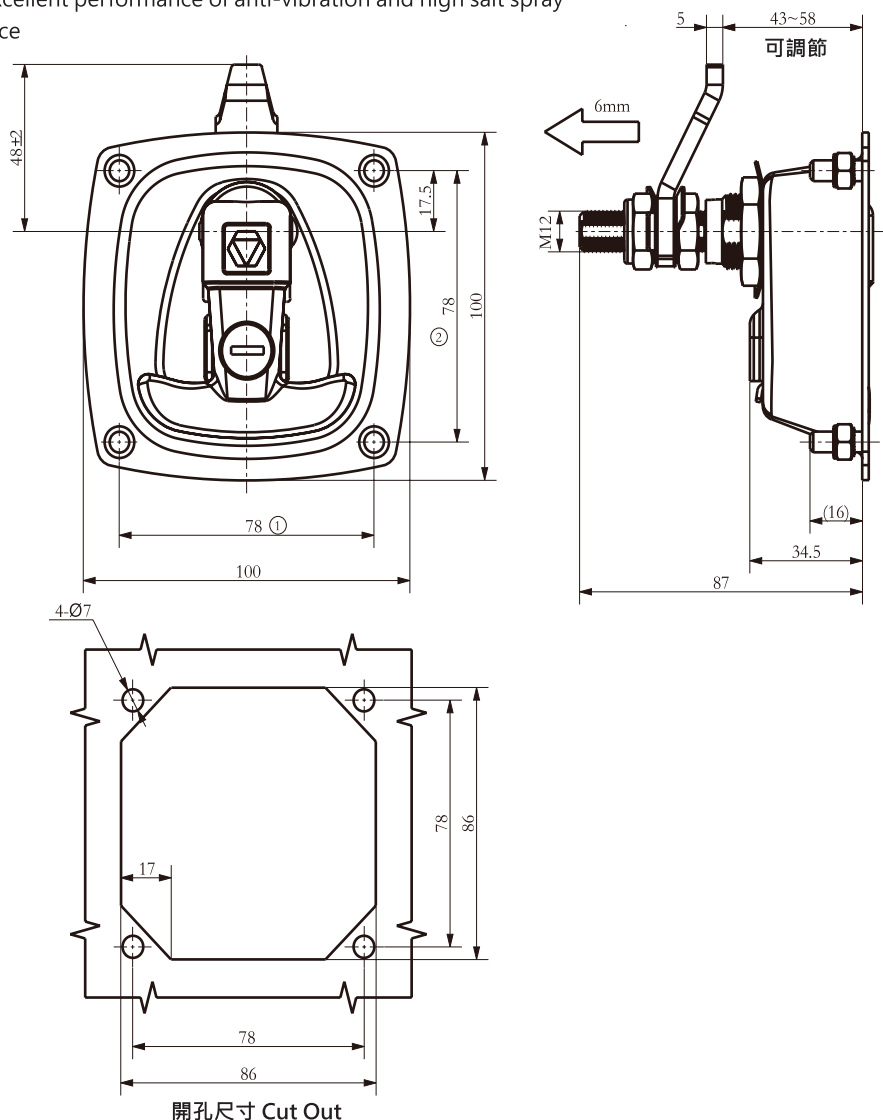
## 壓縮迫緊型平面鎖 . 中性鹽霧 1000 小時

Compression type T handle Lock. Salt spray test 1000 hours



MS-366-40

- 材質：鐵質基座，鋅合金手柄及鎖心，不鏽鋼擋片和配件
- Material: Carbon Steel -Base, Zinc Alloy -Handle and Lock Core, Stainless Steel Cam and Accessories.
- 表面處理：亞光黑烤漆 (T 型手柄 & 基座)，鈍化 ( 擋片 & 不鏽鋼配件 )
- S.Tr: Matte Black Coating (T-Handle & Base), Passivated (Cam & Stainless Steel Fittings)
- 鎖心旋轉扭矩 :0.5N.m~3N.m
- lock cylinder rotation torque: 0.5N.m~3N.m
- 擋片承載力 : ≤ 3000N
- Cam bearing capacity: ≤ 3000N
- T 型手柄符合人體工學設計，擋片夾持深度可調
- The T-handle is ergonomically designed, and the clamping depth of the baffle is adjustable.
- 產品表面經特殊處理，整鎖可通過 NSS 1000H 中性鹽霧測試標準
- The surface is specially treated, and the whole lock can pass the NSS 1000H neutral salt spray test .
- 適用於工程機械，車輛，戶外櫃，軍規設備箱體 .
- Suitable for construction machinery, vehicles, outdoor cabinets, military equipment boxes.
- 具有抗振動及高耐鹽霧的優異性能 .
- It has excellent performance of anti-vibration and high salt spray resistance





# 薄型平面把手 ( 防水 )

## Waterproof Latches · Lift-and-Turn Latch



MS-843-1

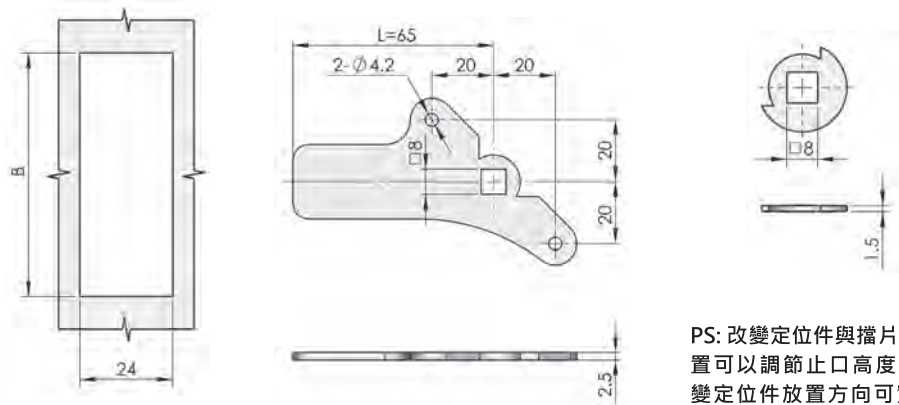
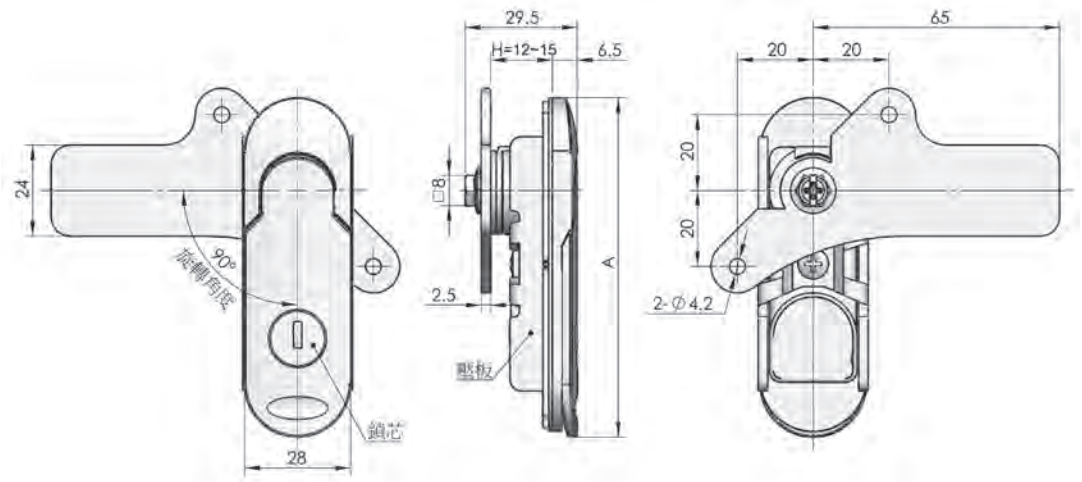


MS-843-2



MS-843-3

- 材質：鋅合金 • Material : Zinc Alloy
- 表面處理：亞光銀塗裝 • S.Tr : Sliver powder coated
- 變換擋片方向，可左、右開門通用
- 適用門板厚度：1.5~3m/m • Panel thickness : 1.5~3m/m
- 可訂製無鎖芯式 • Can be custom made without the lock
- 手柄承載拉力值：≤180N • Handle Strength : ≤180N
- 手柄承載扭矩值：≤14N.m • Handle Torque ≤ 10N.m
- 最大靜載荷：190N • Maximum Static Load : 190N



開孔尺寸 Cut Out

PS: 改變定位件與擋片安裝位置可以調節止口高度 H · 改變定位件放置方向可實現左右開門

單位：(mm)

型號 Order No.	A	H	B
MS-843-1	89	14.5	63
MS-843-2	107	14.5	80
MS-843-3	123	14.5	96

# 小型平面手柄型門扣鎖

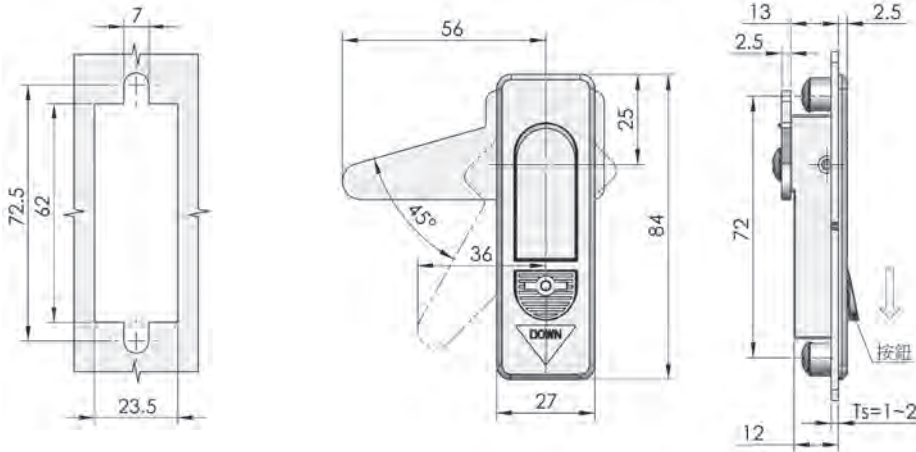
## Lift-and-Turn Latch



- 材質：鋅合金 • Material : Zinc Alloy
- 表面處理：電鍍亞光鉻 • S.Tr : Bright chrome plated
- 變換擋片方向，可左右開門通用
- Use for left and right opening door
- 按鍵下推，手柄彈起，即可開啓箱門
- 手柄承載拉力值 $\leq 550\text{N}$  • Handle Strength  $\leq 550\text{N}$
- 最大靜載荷：350N • Maximum Static Load : 350N



MS-732



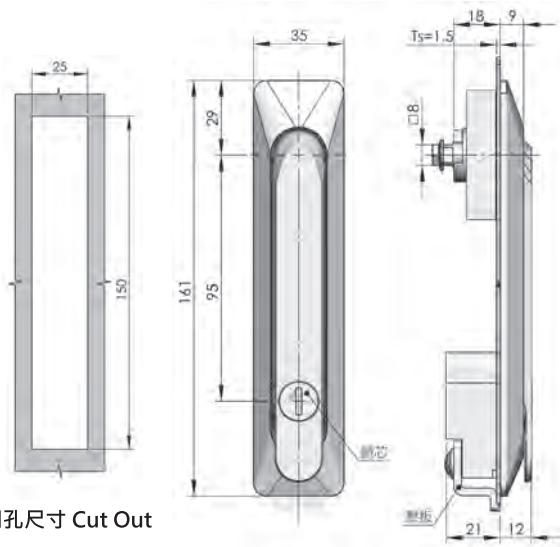
開孔尺寸 Cut Out

# 平面手柄式門鎖 · PA 塑料

## Plastic Swing Handle Lock



- 材質：PA
- Material : PA
- 適用板厚：1~3m/m
- Panel thickness:1~3m/m
- 手柄承載拉力值 $\leq 115\text{N}$
- Handle Strength  $\leq 115\text{N}$
- 手柄承載扭矩值 $\leq 10\text{N.m}$
- Handle Torque  $\leq 10\text{N.m}$
- 最大靜載荷：220N
- Maximum Static Load : 220N



開孔尺寸 Cut Out



MS-861-3

訂購範例 Order Exp: 主體 Body+ 擋片 Cam  
MS-861-3+S1B4500

單位：(mm)

擋片 (選配) Cam Selection	
擋片型號 CAM CODE	擋片深度 (H) CAM DEPTH
S1B4500	18
S1B4507	25
S1B4516	35

# 防水平面把手

## Waterproof Flat Lift-and-Turn Latch



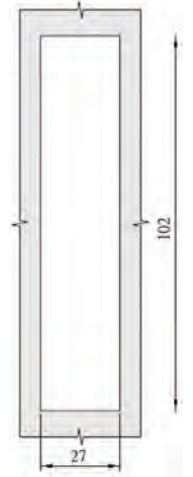
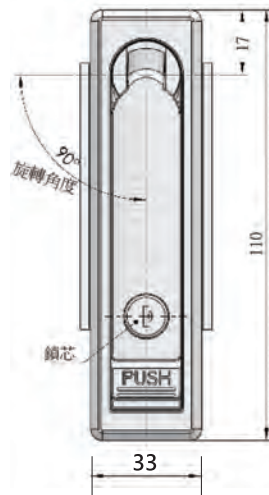
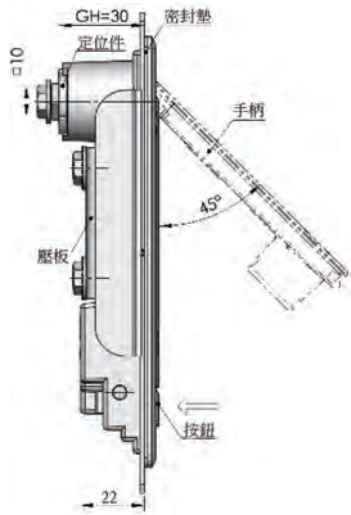
- 材質：鋅合金
- Material : Zinc Alloy
- 表面處理：亞光或黑色
- S.Tr : Sliver or black powder coated



MS-713-A



MS-713-B



開孔尺寸 Cut Out

# 小型 · 壓縮 · 可調間距

## Compression Latch · Adjustable grip



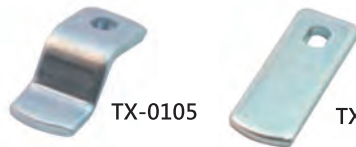
- 材質：鋅合金 • Material : Zinc Alloy
- 表面處理：電著塗裝 ( 黑色 ) 或電鍍亮鎳
- S.Tr : Electrolyte paint, Black or Bright chrome plated
- 擋片可調整至關門迫緊時最佳之鬆緊程度
- 最大靜載荷 :200N
- Maximum Static Load:200N
- 手柄承載拉力值 ≤ 240N
- Handle Strength ≤ 240N



MS-733-1



MS-733-2

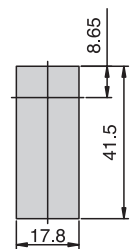
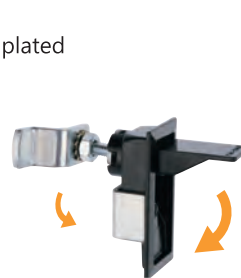


TX-0105

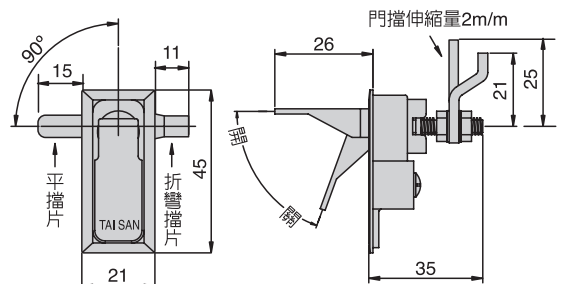
TX-0106

單位：(mm)

擋片調節深度 Cam Depth	
TX-0105(內)	12.5~16
TX-0105(外)	32.5~36
TX-0106	22~26



開孔尺寸 Cut Out



# 平面 · 壓縮

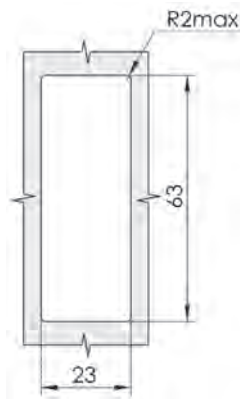
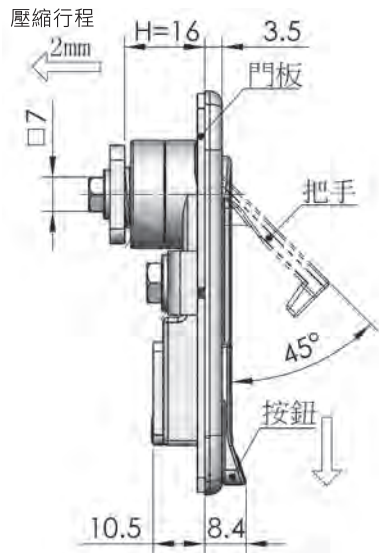
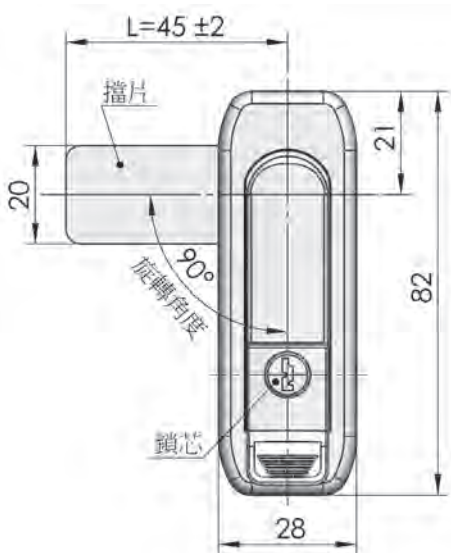
## Compression Latch



# 平面鎖

## LATCHES

- 材質：鋅合金
- Material : Zinc Alloy
- 表面處理：塗裝 ( 黑色 ) 或 亞光銀色
- S.Tr : Sliver or black powder coated
- 按鍵下推、手柄彈起、擋片解除壓縮、旋轉手柄開啓箱門
- 迫緊伸縮量：2m/m
- Compression distance : 2m/m
- 最大靜載荷：250N
- Maximum Static Load : 250N
- 手柄承載拉力值 $\leq 14N.m$
- Handle Strength  $\leq 14N.m$



開孔尺寸 Cut Out



MS-732-2A



MS-732-2B



MS-732-2C

# 大型 · 壓縮 · 可調間距 · 附鎖芯

## Waterproof Compression Latch · Adjustable grip



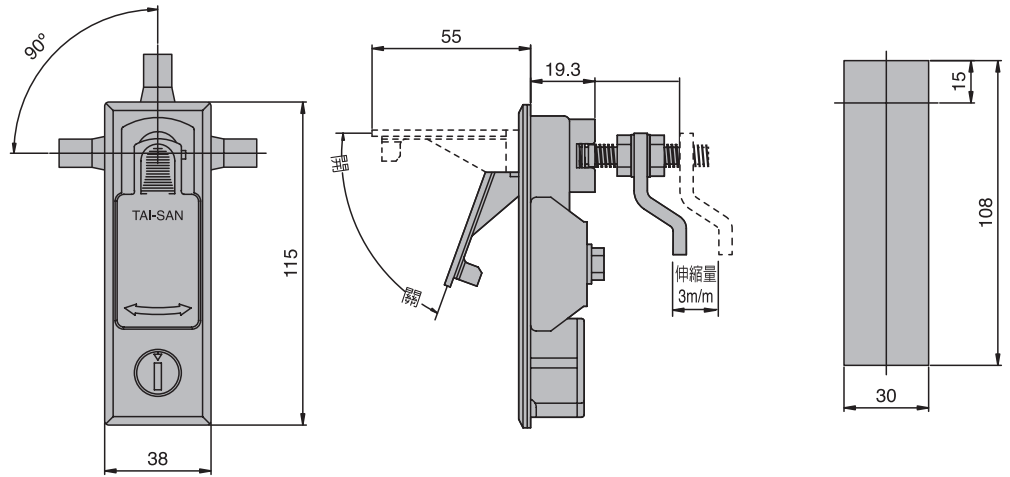
- 材質：鋅合金
- Material : Zinc Alloy
- 表面處理：電鍍處理（鍍鉻）或電著塗裝（黑色）
- S.Tr : Available in Chrome Electroplated and Black Electrolyte Painted finish
- 最大靜載荷：400N
- Maximum Static Strength : 400N



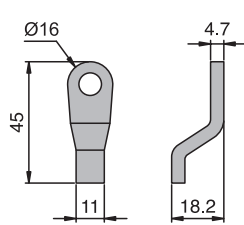
MS-727-1



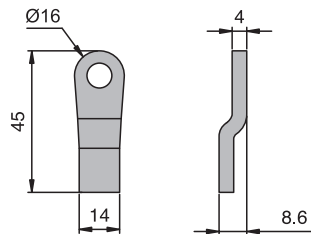
MS-727-3



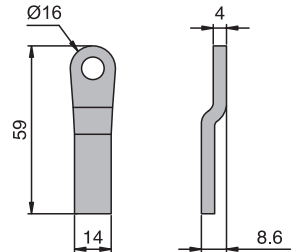
開孔尺寸 Cut Out



TX-005



TX-007



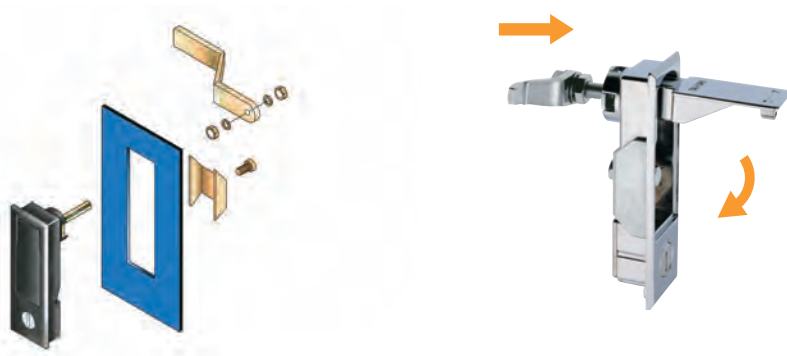
TX-008

擋片調節深度 Cam Depth	
TX-005(內)	23.5~26
TX-005(外)	48~53

擋片調節深度 Cam Depth	
TX-007(內)	30~35
TX-007(外)	39.5~46

擋片調節深度 Cam Depth	
TX-008(內)	30~35
TX-008(外)	39.5~46

單位：(mm)

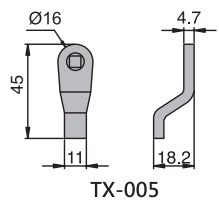
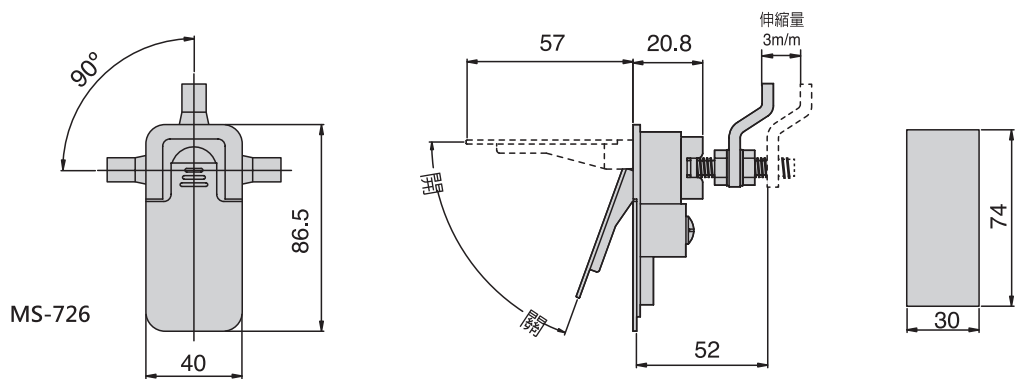
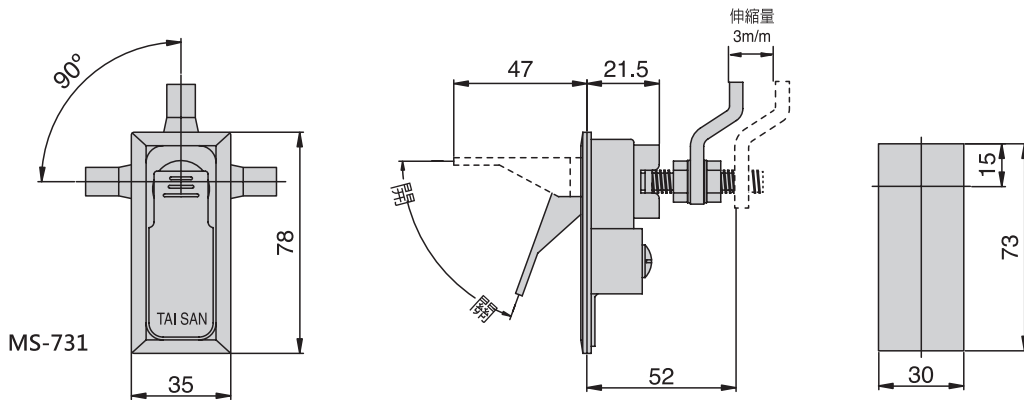


# 中型 · 壓縮 · 可調間距

Sealed Compression Latch · Adjustable grip

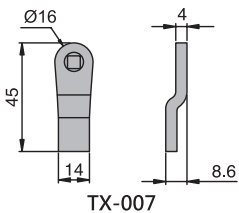


- 材質：鋅合金 • Material : Zinc Alloy
- 表面處理：電著塗裝 (黑色) 或電鍍亮鉻
- S.Tr : Electrolyte paint, Black or Bright chrome plated
- 擋片可調整至關門迫緊時最佳之鬆緊程度
- 最大靜載荷：400N • Maximum Static Strength : 400N



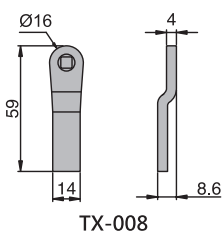
TX-005

擋片調節深度 Cam Depth	
TX-005(內)	21~27
TX-005(外)	49~55



TX-007

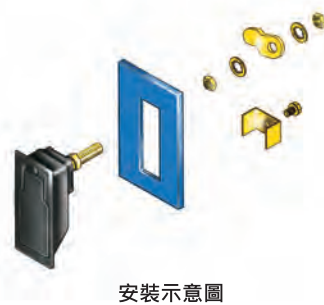
擋片調節深度 Cam Depth	
TX-007(內)	29~36
TX-007(外)	40~46



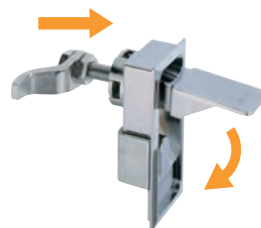
TX-008

擋片調節深度 Cam Depth	
TX-008(內)	29~36
TX-008(外)	40~46

單位：(mm)



安裝示意圖



## 平面鎖

LATCHES



MS-726-1



MS-726-2



MS-731-1



MS-731-3

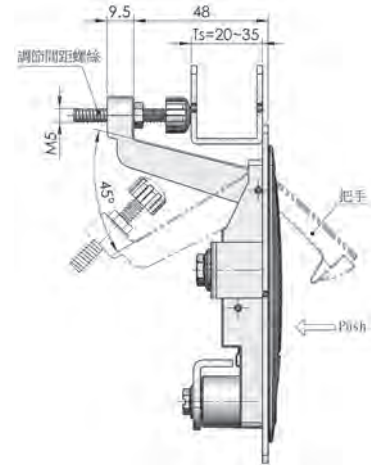
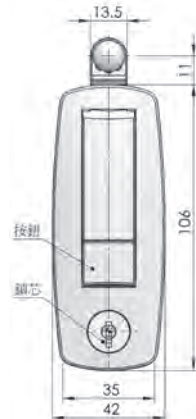
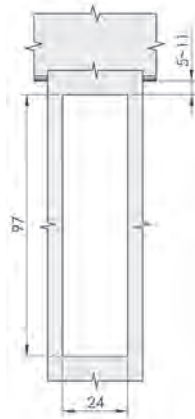
平面 · 壓縮 · 可調間距

Lever Latches · Compression · Adjustable grip



MS-718

- 材質：鋅合金 • Material: Zinc Alloy
- 表面處理：黑色塗裝 • S.Tr: Black powder coated
- 手柄承載拉力值 $\leq 750N$  • Handle Strength  $\leq 750N$
- 最大靜載荷：200N • Maximum Static Load: 200N

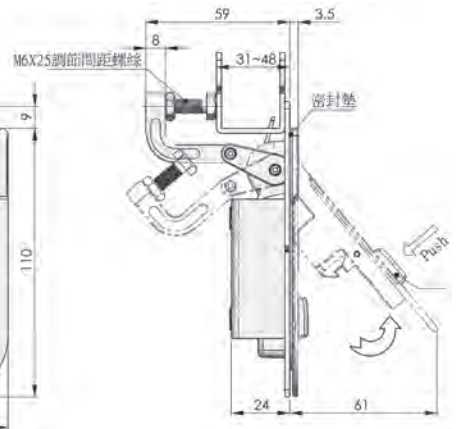
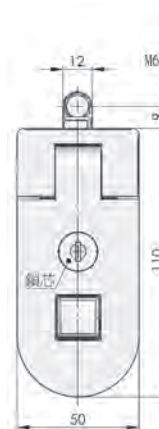
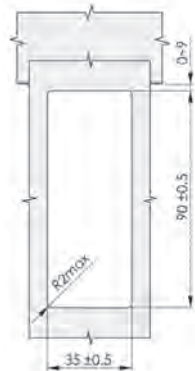


開孔尺寸 Cut Out



MS-718-2B 帶鎖芯 Locking

- 材質：鋅合金 • Material: Zinc Alloy
- 表面處理：黑色塗裝 • S.Tr: Black powder coated
- 手柄承載拉力值 $\leq 1500N$  • Handle Strength  $\leq 1500N$
- 最大靜載荷：290N • Maximum Static Load: 290N



開孔尺寸 Cut Out



MS-718-2B-N 無鎖芯 Non Locking



# 平面 · 壓縮 · 可調間距

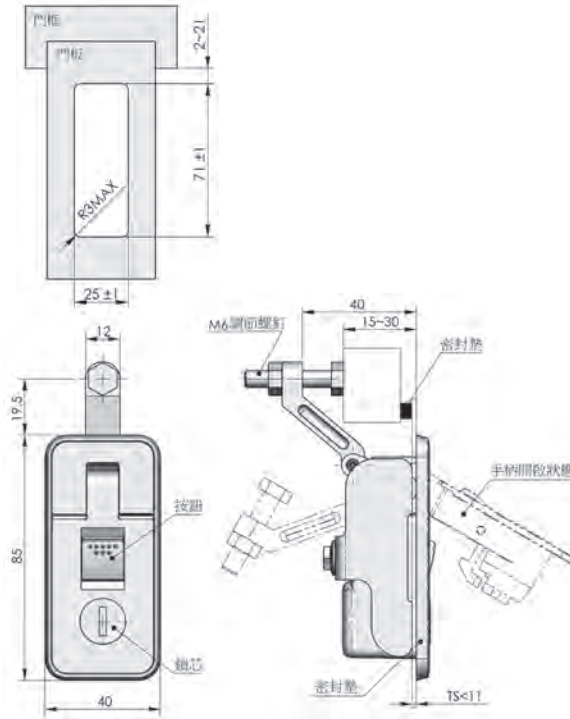
Lever Latches · Compression · Adjustable grip



- 材質：鋅合金，鐵製壓板、螺絲
- Material : Zinc Alloy ·
- 表面處理：亮鉻或黑色塗裝，壓板、螺絲 - 鍍鋅
- S.Tr : Black powder coated
- 按壓按鈕 · 手柄彈起 · 自動開啟
- 手柄承載拉力值 ≤ 1300N
- Handle Strength ≤ 1300N
- 最大靜載荷：290N
- Maximum Static Load: 290N



開孔尺寸 Cut Out



型號 Item No	顏色 Color
MS-718-3CA	亮鉻 Bright chrome
MS-718-3CB	黑色塗裝 Black powder coated

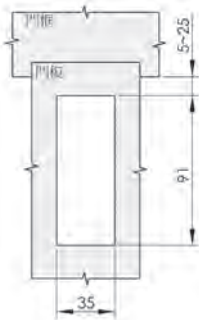
MS-718-3CA

MS-718-3CB

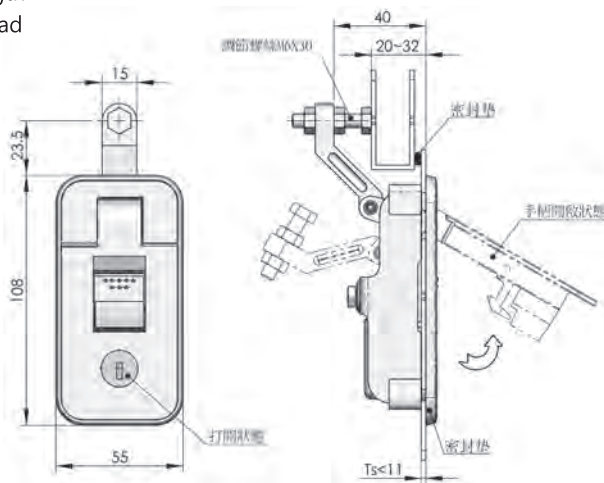


## 防護等級：IP65

- 材質：鋅合金      • Material : Zinc Alloy
- 表面處理：亮鉻或黑色塗裝      • S. Tr : Chrome or Black Finish
- 按壓按鈕 · 手柄彈起 · 自動開啟      • Push button. Handle springs up. Door opens
- 手柄承載拉力值 ≤ 790N      • Handle Strength
- 最大靜載荷 :290N      • Maximum Static Load



開孔尺寸 Cut Out



亮鉻 Chrome	黑色 Black
MS-718-4CA	MS-718-4CB

MS-718-4CA

MS-718-4CB

## 平面鎖

LATCHES



## 可調間距 · 附掛鎖座

Cam Latch with Padlock Hole · Adjustable grip



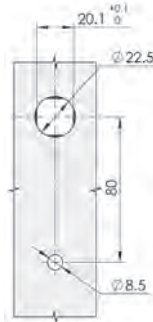
MS-860-SS

### 不銹鋼 Stainless steel 304

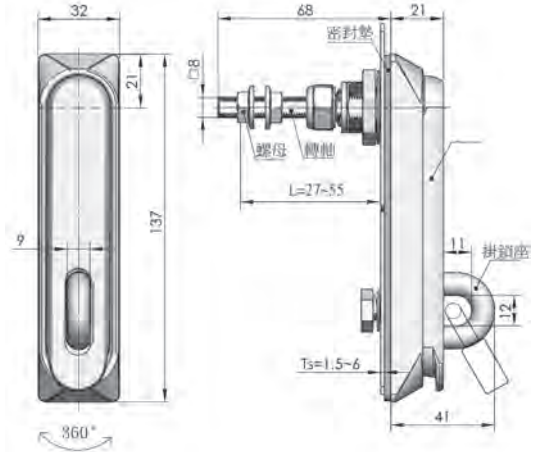
- 材質：不銹鋼 304
- Material: Stainless steel 304
- 表面處理：拋光
- S.Tr: Bright polish finish
- 可自行加裝掛鎖防盜
- 可調整擋片深度距離：L=27~55m/m
- 適用板厚：1.2~8m/m
- Panel thickness：1.2~8 m/m



掛鎖示意圖



開孔尺寸 Cut Out



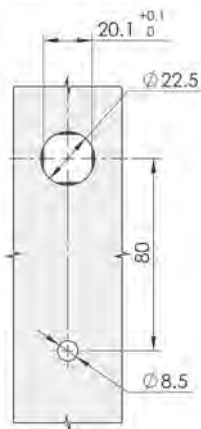
MS-860-2-SH

### 鋅合金 Zinc alloy

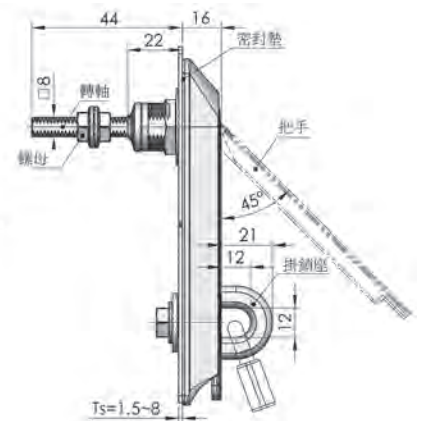
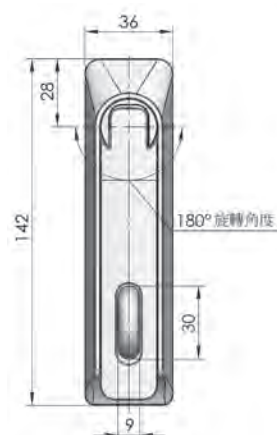
- 材質：主體 - 鋅合金、螺柱 - 鋼鐵、擋片 - 鋼鐵
- Material: Body-Zinc Alloy、Screw-Steel、Cam- Steel
- 表面處理：主體 - 鍍黃鎳、螺柱 - 鍍鋅、擋片 - 鍍鋅
- S.Tr: Body-nickel plating、Screw-zinc plating、Cam- zinc plating



掛鎖示意圖



開孔尺寸 Cut Out

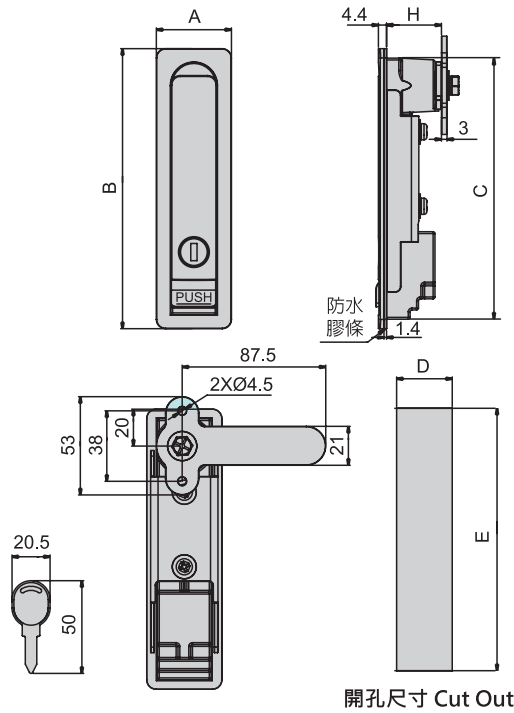


# 不銹鋼防水平面式門鎖

Stainless Steel Latch Waterproof



- 材質：不銹鋼 316
- Material : Stainless steel 316
- 表面處理：鏡面拋光
- S.Tr : Bright polish finish



型號 Item No	A	B	C	D	E	H
MS-800	40.5	151	140.8	30	142.5	29.6
MS-800-2	39.5	135.6	126.3	30.5	128	30.5

## 平面鎖

LATCHES



MS-800



MS-800-2

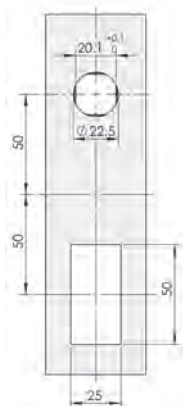


## MS-870-SS

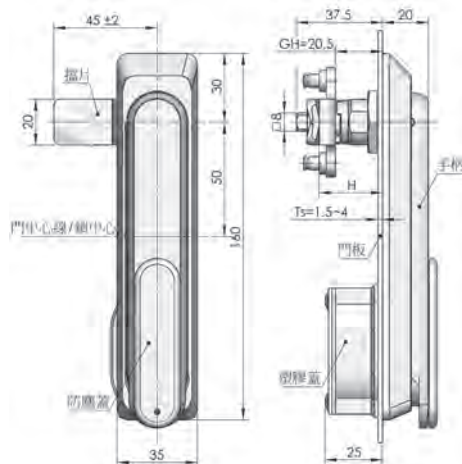
- 材質：鎖體 & 擋片 - 不銹鋼 304、後方密封蓋 - PA 塑膠
- Material : Lock-body&Cam-Stainless steel 304 · Cover-PA
- 適用板厚：1.2~4m/m
- Panel thickness : 1.2~4 m/m
- 使用防盜性強的鑰匙 · 適用於戶外
- With strong anti-theft key suitable for outdoor use



高防盜型鎖芯



開孔尺寸 Cut Out



MS-870-SS

# 圓型拉環式扣鎖 - 推入關閉 · PA 塑料

Push to Close Latch · PA



MS-3202(無鎖)

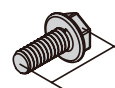
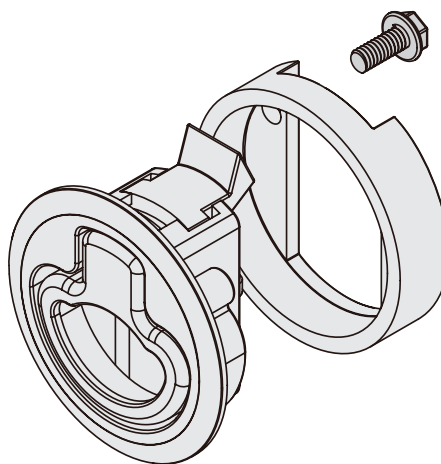


MS-3303(附鎖)

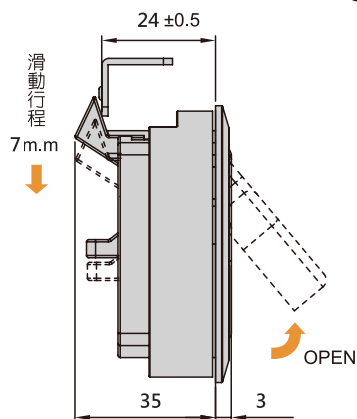
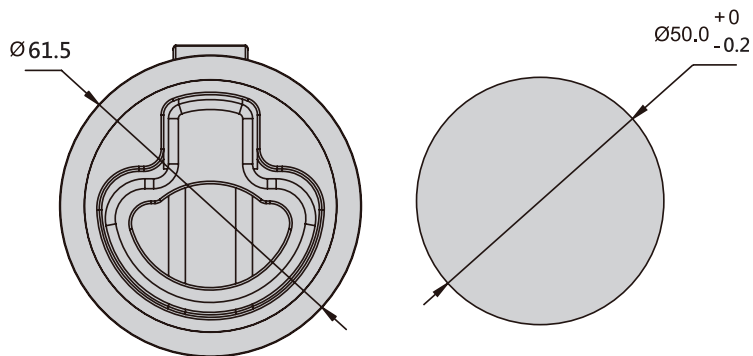
- 材質：尼龍玻纖黑色
- Material : Nylon glass fiber,black
- 適用板厚：1~12m/m
- Panel thickness : 1~12m/m
- 最大工作載荷：200N
- 工作溫度：-15° C~60° C
- 可內部驅動解鎖



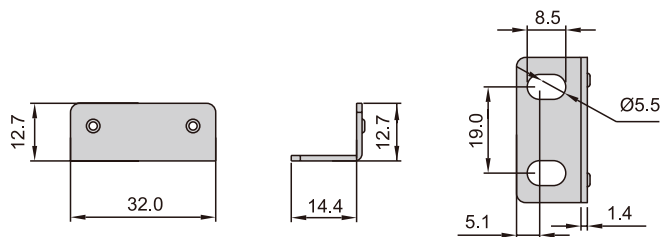
L 型片 & KEY



安裝螺絲提供  
(Screws Supplied)



開孔尺寸 Cut Out



# 圓型拉環式扣鎖 - 推入關閉 · 不銹鋼

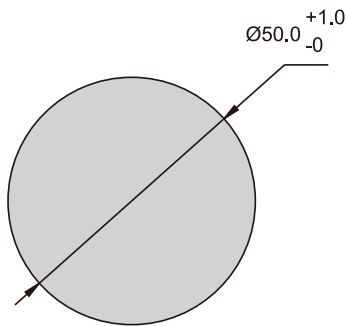
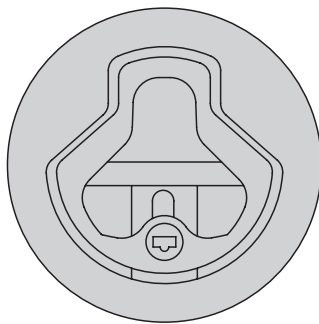
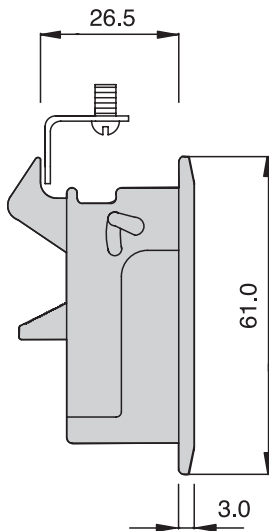
Push to Close Latch · Stainless Steel 316



平面鎖

LATCHES

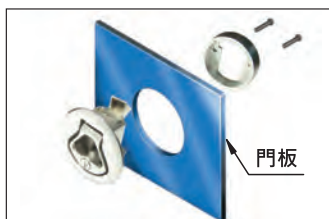
- 材質：不銹鋼 316
- Material : Stainless Steel 316
- 表面處理：鏡面拋光
- S.Tr:Bright polishing
- 最大工作載荷：790N
- 可內部驅動解鎖
- Can be unlocked internally



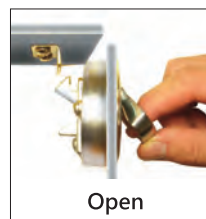
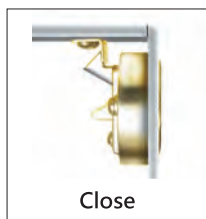
開孔尺寸 Cut Out



L 型片 & KEY



EXP:



MS-320 (無鎖)



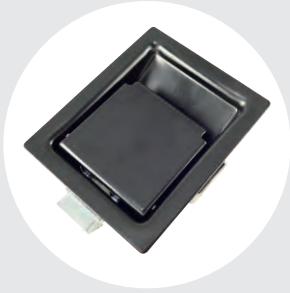
MS-330 (附鎖)

## 平面型拉式門扣 - 推入關閉

Paddle Latch · Push to Close · Pull to open



MS-318

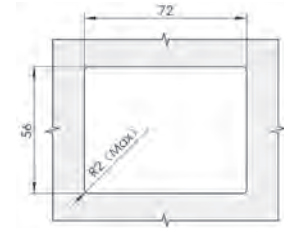


MS-318-2

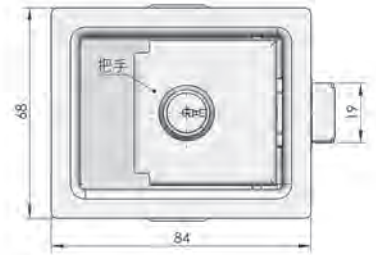
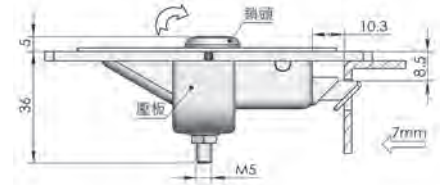
- 材質：鋼鐵 • Material : Steel
- 表面處理：黑色塗裝 • S.Tr : Black powder coated
- Lift paddle to retract latch bolt and open door. Push door to close and the spring loaded latch bolt will lock into place.
- 手柄承載拉力值 $\leq 200\text{N}$  • Handle Strength  $\leq 200\text{N}$
- 鎖舌承載力 $\leq 550\text{N}$  • Cam Strength  $\leq 550\text{N}$



型號 Item No	
MS-318	附鎖型 (常規) Locking (Standard)
MS-318-2	無鎖型 Non Locking



開孔尺寸 Cut Out

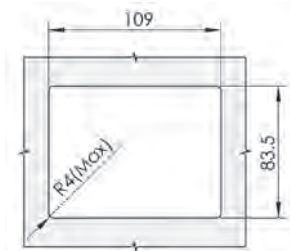


MS-325

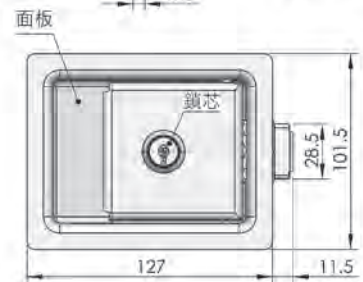
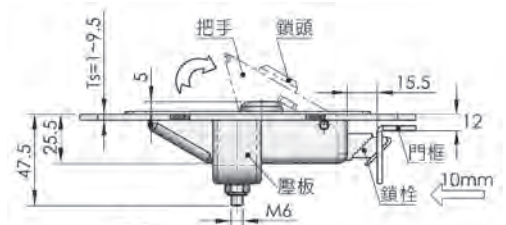
- 材質：鋼鐵或不銹鋼
- Material : Steel or Stainless steel 304
- 表面處理：黑色塗裝
- S.Tr : Black powder coated
- 拉動閘板，使滑塊收縮 7m/m · 開啓門板 ·
- 關門時只需推回即可
- 手柄承載拉力值 $\leq 160\text{N}$
- Handle Strength  $\leq 160\text{N}$
- 鎖舌承載力 $\leq 800\text{N}$
- Cam Strength  $\leq 800\text{N}$



型號 Item No	附鎖型 Locking	無鎖型 Non Locking
鐵製 Steel	MS-325(常規)	MS-325-2
不銹鋼 Stainless steel	MS-325-3S	MS-325-4S



開孔尺寸 Cut Out

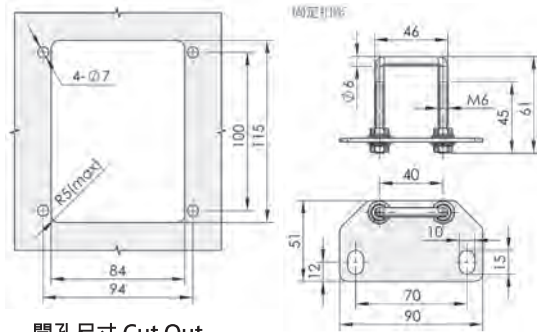


# 平面型拉式門扣 - 推入關閉

Paddle Latch · Push to Close · Pull to open



- 材質：鐵製面板 · 鋅合金鎖頭
- Material: Frame – Steel, Latch Bolt – Zinc Alloy
- 表面處理：面板 - 黑色塗裝 · 鎖頭 - 亮鉻
- S. Tr : Frame – Black Finish, Latch Bolt – Bright Chrome
- 手柄承載拉力值 :  $\leq 700N$
- Handle Strength :  $\leq 700N$
- 鎖舌承載力 :  $\leq 800N$
- Latch Bolt Strength :  $\leq 800N$

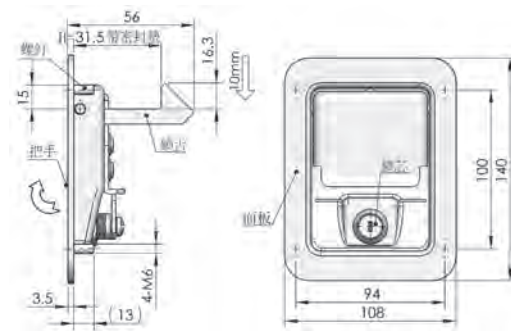


開孔尺寸 Cut Out



MS-866-5

	附鎖型 Locking	無鎖型 Non Locking
H=31.5(常規 Standard)	MS-866-5	MS-866-5A
H=44	MS-866-5B	MS-866-5BA
H=55	MS-866-5C	MS-866-5CA



# 不銹鋼平面型拉式門扣鎖 - 推入關閉

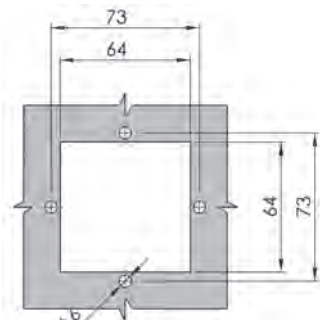
Pull to open · Push to close · Paddle Latches



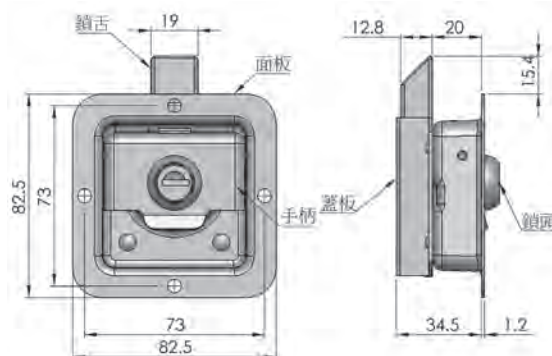
- 材質：手柄 - 不銹鋼、鎖舌 - 鋅合金、蓋板 - 鐵製
- Material: Handle – Stainless Steel, Latch Bolt – Zinc Alloy, Cover – Steel
- 表面處理：手柄 & 面板 - 鏡面拋光、鎖舌 & 蓋板 - 鍍鋅
- S. Tr. : Handle & Frame – Polished Finish, Latch Bolt & Cover – Zinc Plated
- 手柄承載拉力值 :  $\leq 180N$       • Handle Strength:  $\leq 180N$
- 鎖舌承載力 :  $\leq 1000N$       • Latch Bolt Strength :  $\leq 1000N$



MS-866-28 附鎖型



開孔尺寸 Cut Out



MS-866-28A 無鎖型

## 平面型拉式門扣 - 推入關閉

Paddle Latch · Push to Close · Pull to open



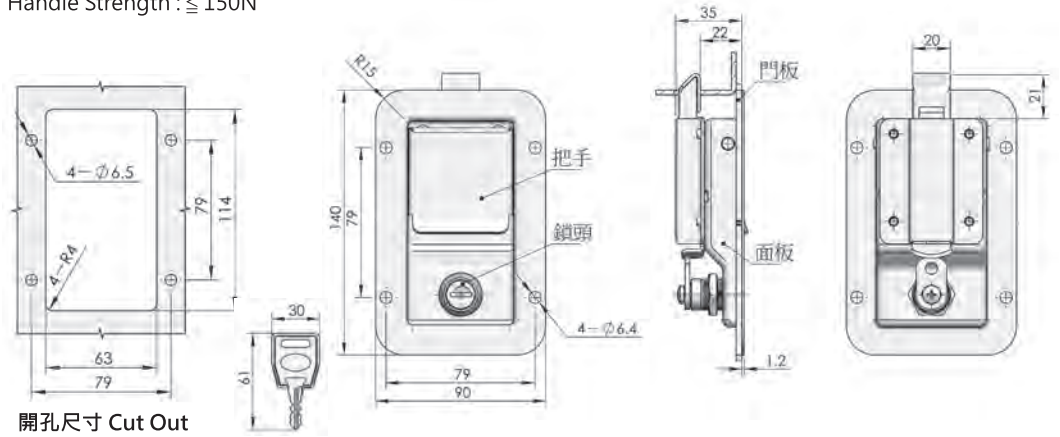
MS-335



MS-335-N  
無鎖芯 Non Locking

### 大型 Large

- 材質：主體 - 不銹鋼、鎖芯 - 鋅合金
- Material: Body-Stainless steel 304 ; Lock cylinder-Zinc alloy
- 適用於中大型門板
- Suitable for large equipment door
- 最大工作載荷：500N
- Maximum Working Load: 500N
- 手柄承載拉力值： $\leq 150N$
- Handle Strength： $\leq 150N$

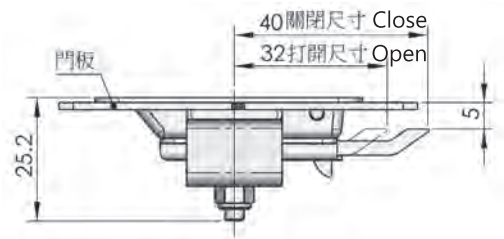
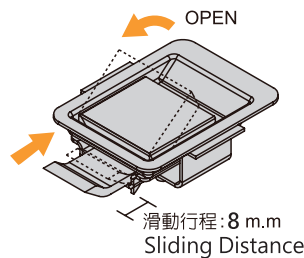
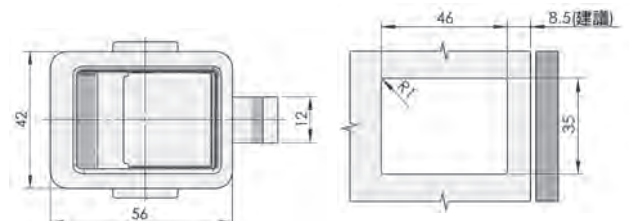


### 小型 Small

- 材質：不銹鋼 304
- Material: Stainless steel 304
- 表面處理：拉絲拋光
- S.Tr : Polishing
- 推入關閉、拉動開啓·單孔快速安裝
- Push to close & pull to open, single hole installation, concealed mounting
- 手柄承載拉力值： $\leq 50N$
- Handle Strength： $\leq 50N$
- 鎖舌承載力： $\leq 200N$
- Latch Bolt Strength： $\leq 200N$



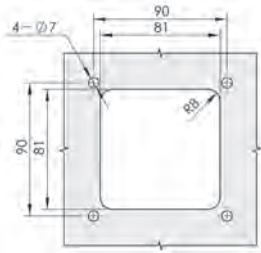
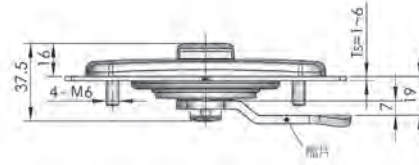
MS-729



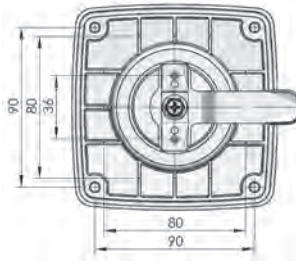
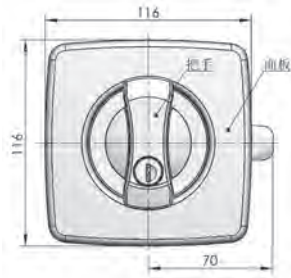
# 手柄旋轉開啟



- 材質：鋅合金或 PA 塑料
- Material: Zinc Alloy or PA
- 手柄承載扭矩值： $\leq 28\text{N.m}$
- Handle Torque： $\leq 28\text{N.m}$
- 擋片承載力： $\leq 390\text{N}$
- Cam Strength： $\leq 390\text{N}$



開孔尺寸 Cut Out



型號 Item No	規格 .SPEC
MS-870-2	面板、手柄 - 鋅合金 Zinc Alloy
MS-870-2F	面板、手柄 - PA

## 平面鎖

LATCHES



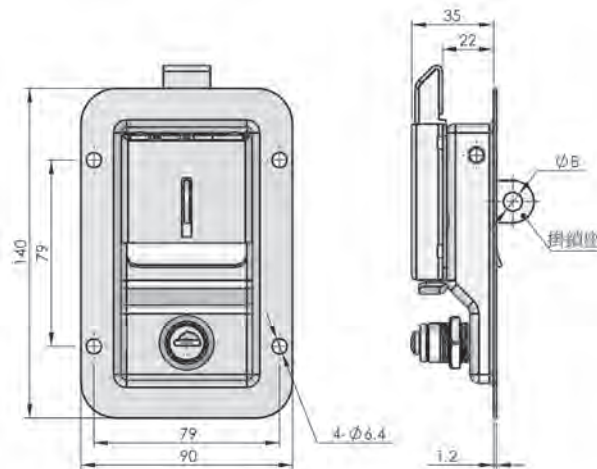
MS-870-2

# 推入鎖定型 · 附掛鎖座

PUSH TO CLOSE TYPE. WITH PADLOCK BRACKET



- 材質：面板、把手 - 不銹鋼
- Material: Stainless Steel
- 表面處理：面板、把手 - 鏡面拋光
- S. Tr: Polished Finish
- 手柄承載拉力值： $\leq 150\text{N}$
- Handle Strength： $\leq 150\text{N}$
- 鎖舌承載力： $\leq 550\text{N}$
- Cam Strength： $\leq 550\text{N}$



MS-866-7-1P

平面把手鎖 · 薄型 · 防護等級 IP54

Lift and Turn Latch.Thin type

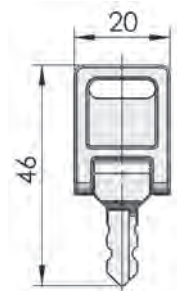


MS-723-2

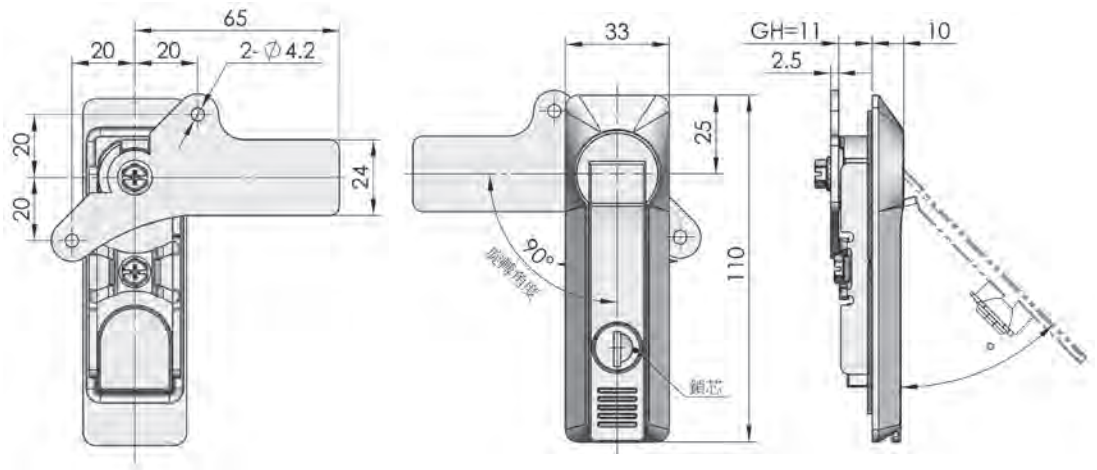


MS-723-3

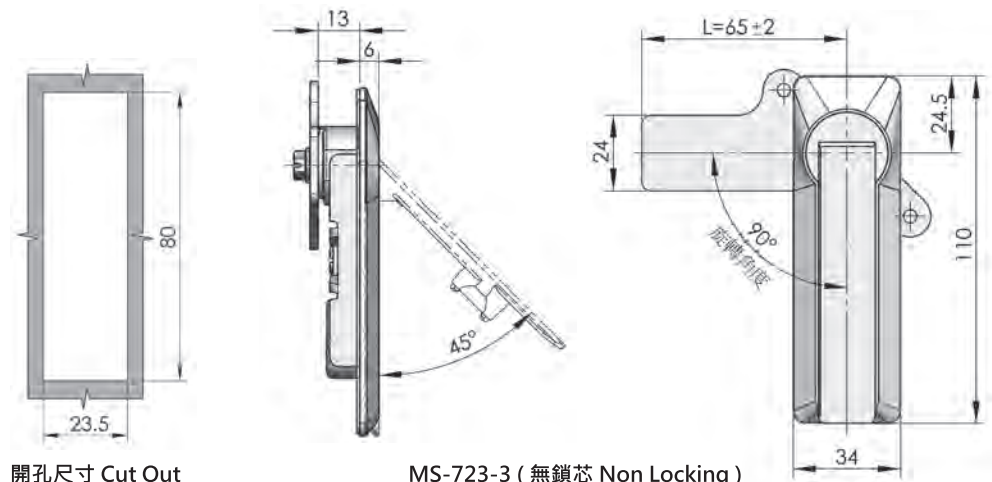
- 材質：主體、手柄鋅合金
- Material : Zinc Alloy
- 表面處理：奈米噴塗亞光銀
- S. Tr : Matt Silver Finish (Nano Spray Coating)
- 手柄承載拉力值：≤ 98N
- Handle Strength : ≤ 98N
- 手柄承載扭矩值：≤ 14N.m
- Handle Torque : ≤ 14N.m
- 最大靜載荷：200N
- Maximum Static Load : 200N



鑰匙 KEY



MS-723-2 (附鎖芯 Locking)



開孔尺寸 Cut Out

MS-723-3 (無鎖芯 Non Locking)

# 平面把手鎖 · 附防塵蓋

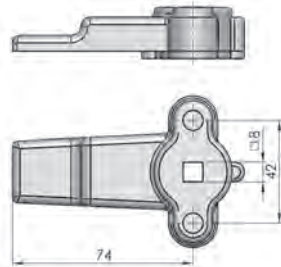
## Lift and Turn Latch



平面鎖

LATCHES

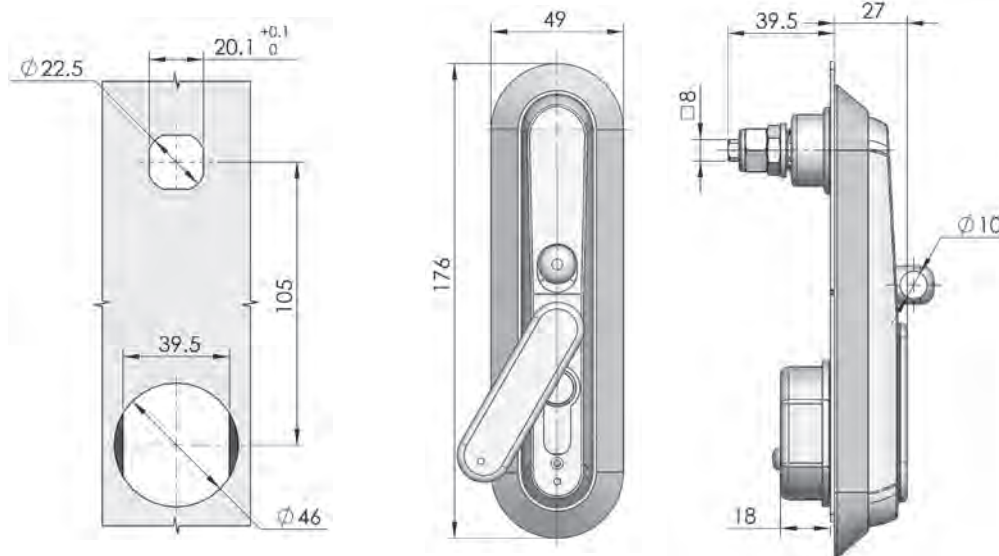
- 材質：主體、手柄、鎖頭 - 鋅合金，轉軸 - 鐵製，擋片 - PA
- Material: Body - Zinc Alloy, Cam - PA
- 表面處理：主體、手柄 - 噴塑 (黑麻面)，鎖頭組件 - 鍍亮光鉻
- S. Tr.: Matt Black Finish
- 手柄承載拉力值： $\leq 700\text{N}$
- Handle Strength： $\leq 700\text{N}$
- 手柄承載扭矩值： $\leq 40\text{N.m}$
- Handle Torque： $\leq 40\text{N.m}$
- 最大靜載荷：300N
- Maximum Static Load: 300N
- 可選配電子鎖芯
- 可選配 8X8 系列擋片



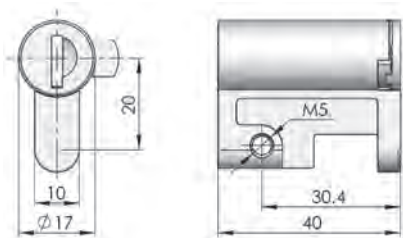
擋片



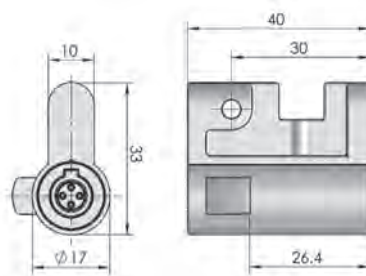
MS-839-1



開孔尺寸 Cut Out



標準鎖芯  
Standard Lock Cylinder



電子鎖芯 (選配)  
Electronic Lock  
Cylinder (Optional)

型號 Item No	規格 .SPEC
MS-839-1	標準 (無掛鎖) Without Padlock Bracket (Standard)
MS-839-1P	訂製 (帶掛鎖) With Padlock Bracket (Customized)

## 平面把手鎖 · 按壓開啟 · 附掛鎖座

PUSH TO OPEN. WITH PADLOCK BRACKET



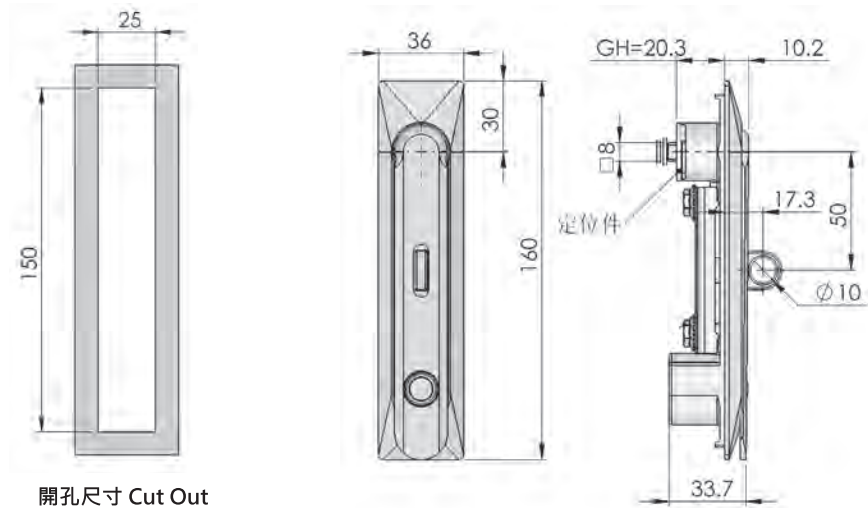
### 防護等級：IP65

- 材質：主體、手柄、轉軸 - 鋅合金，擋片 - 鐵製 • Material: Body - Zinc Alloy, Cam - Steel
- 手柄承載拉力值： $\leq 390\text{N}$  • Handle Strength： $\leq 390\text{N}$
- 手柄承載扭矩值： $\leq 12\text{N.m}$  • Handle Torque： $\leq 12\text{N.m}$
- 最大靜載荷：300N • Maximum Static Load：300N
- 按下按鈕抬起手柄，90°旋轉開啟

備註：擋片可選配 S1B 系列



MS-861-2H



開孔尺寸 Cut Out

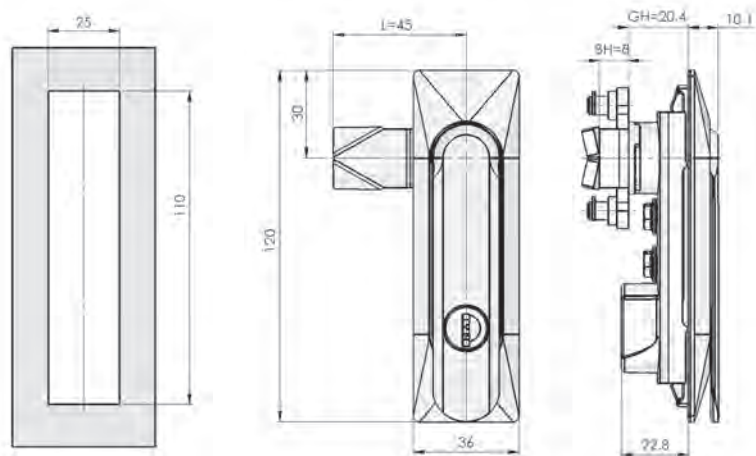


### 防護等級：IP65

- 材質：主體 - 鋅合金，手柄 - 鍍鋅，擋片 - 鐵製 • Material: Body - Zinc Alloy, Cam - Steel
- 表面處理：黑色或亞光銀烤漆 • S. Tr : Black or Matt Silver Finish
- 手柄承載拉力值： $\leq 350\text{N}$  • Handle Strength： $\leq 350\text{N}$
- 手柄承載扭矩值： $\leq 25\text{N.m}$  • Handle Torque： $\leq 25\text{N.m}$
- 壽命測試：5000 次開合，鎖功能正常
- Product Life Test: lock mechanism stays normal after 5000 open/close cycle



MS-861-4



開孔尺寸 Cut Out



平面把手鎖 · 特殊工具 & 鑰匙開啟  
SPECIAL TOOL & KEY OPENING TYPE

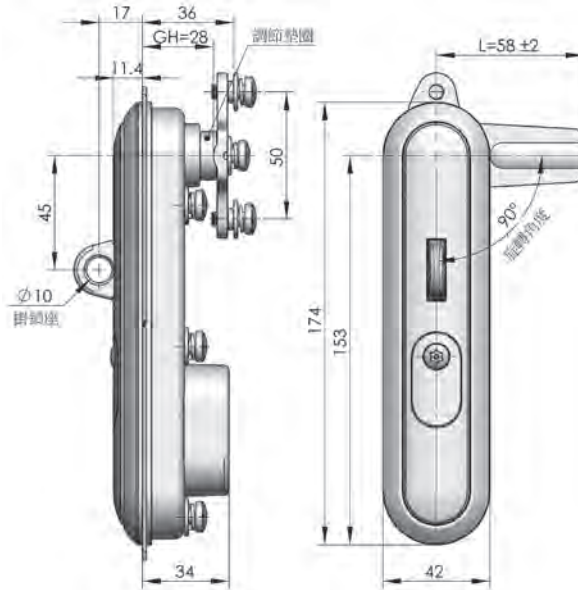


防護等級：IP65

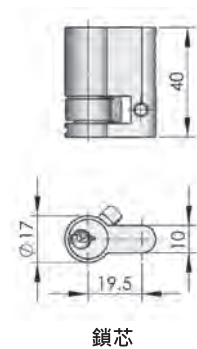
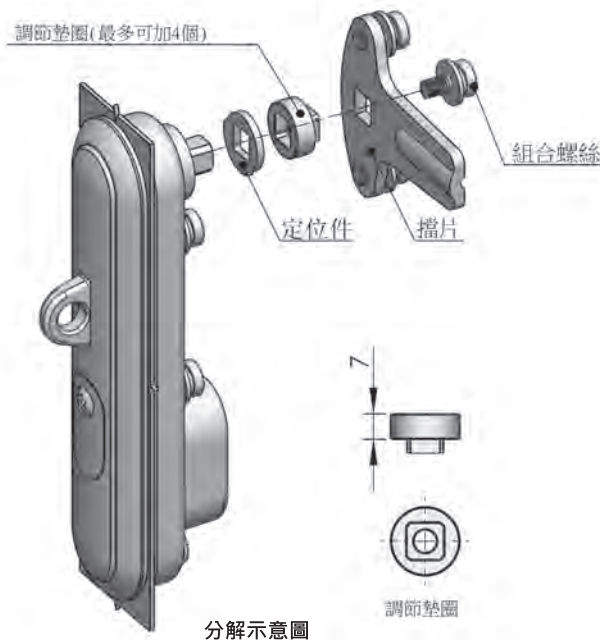
- 材質：主體 - 鋅合金 • Material: Zinc Alloy
- 表面處理：塗裝 (黑色高耐鹽霧) • S. Tr: High Salt Spray Resistant Finish
- 手柄承載拉力值： $\leq 2500\text{N}$  • Handle Strength： $\leq 2500\text{N}$
- 手柄承載扭矩值： $\leq 21\text{N.m}$  • Handle Torque： $\leq 21\text{N.m}$
- 最大靜載荷：600N • Maximum Static Load：600N



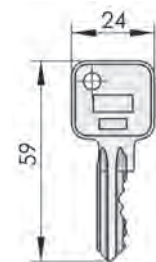
MS-864-4P



開孔尺寸 Cut Out



鎖芯



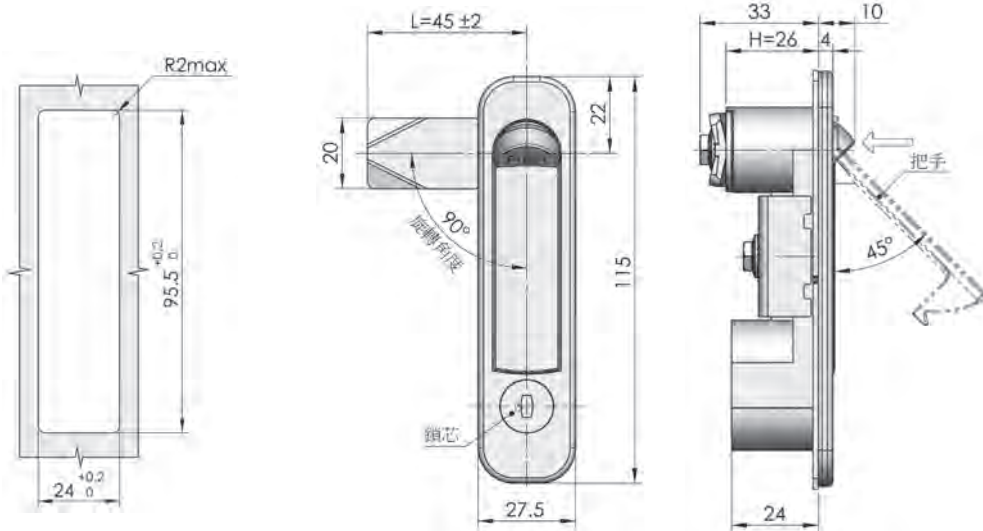
無掛鎖座	帶掛鎖座 with padlock bracket
MS-864-4	MS-864-4P

# 平面門扣鎖

Lift and Turn Latch



- 材質：主體 - 鋅合金 · 擋片 - 鐵製      • Material: Body - Zinc Alloy, Cam - Steel
- 表面處理：主體 - 亞光銀 · 擋片 - 鍍鋅      • S. Tr: Body - Matt Silver Finish, Cam - Zinc Plated
- 手柄承載拉力值：≤ 340N      • Handle Strength : ≤ 340N
- 手柄承載扭矩值：≤ 11N.m      • Handle Torque : ≤ 11N.m
- 最大靜載荷：270N      • Maximum Static Load : 270N



開孔尺寸 Cut Out



MS-737

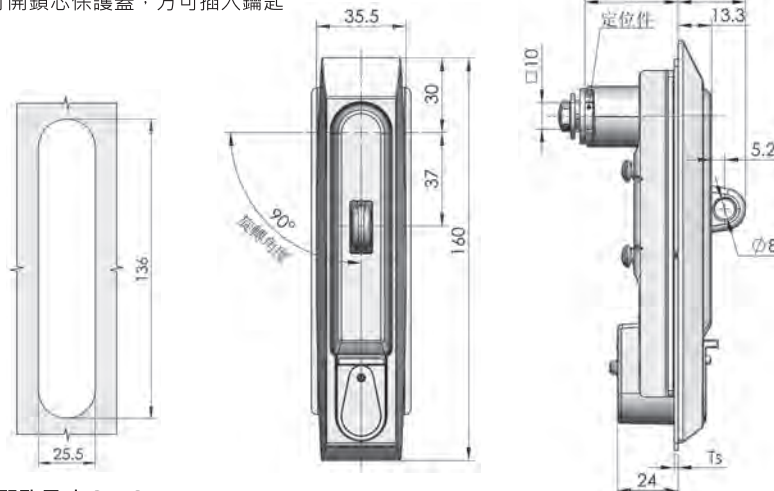
# 特殊工具 & 鑰匙開啟 · 附掛鎖座

OPENED BY SPECIAL TOOL & KEY. WITH PADLOCK BRACKET



- 材質：主體 - 鋅合金      • Material: Zinc Alloy
- 表面處理：主體 - 黑色塗裝      • S. Tr: Black Finish
- 手柄承載拉力值：≤ 310N      • Handle Strength: ≤ 310N
- 手柄承載扭矩值：≤ 33N.m      • Handle Torque: ≤ 33N.m
- 最大靜載荷：300N      • Maximum Static Load : 300N
- 需先使用特殊工具打開鎖芯保護蓋，方可插入鑰匙

可訂製不同號鎖芯鑰匙 (500 組)  
Can be custom made with different lock and key combination (500SETS)



開孔尺寸 Cut Out

無掛鎖座 - 可訂製



MS-834-5P

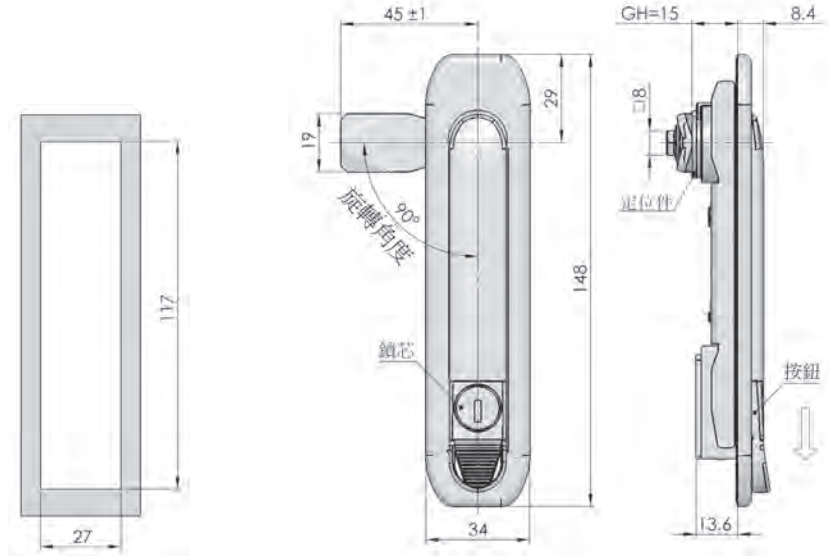
# 平面門扣鎖 · 按壓開啟 · 薄型

## Lift and Turn Latch



MS-738-1A

- 材質：主體 - 鋅合金 · 擋片 - 鐵製      • Material: Body – Zinc Alloy, Cam – Steel
- 表面處理：主體 - 亞光銀 · 擋片 - 鍍鋅      • S. Tr: Body – Matt Silver Finish, Cam – Zinc Plated
- 手柄承載拉力值：≤ 690N      • Handle Strength : ≤ 690N
- 手柄承載扭矩值：≤ 40N.m      • Handle Torque : ≤ 40N.m
- 最大靜載荷：270N      • Maximum Static Load : 270N

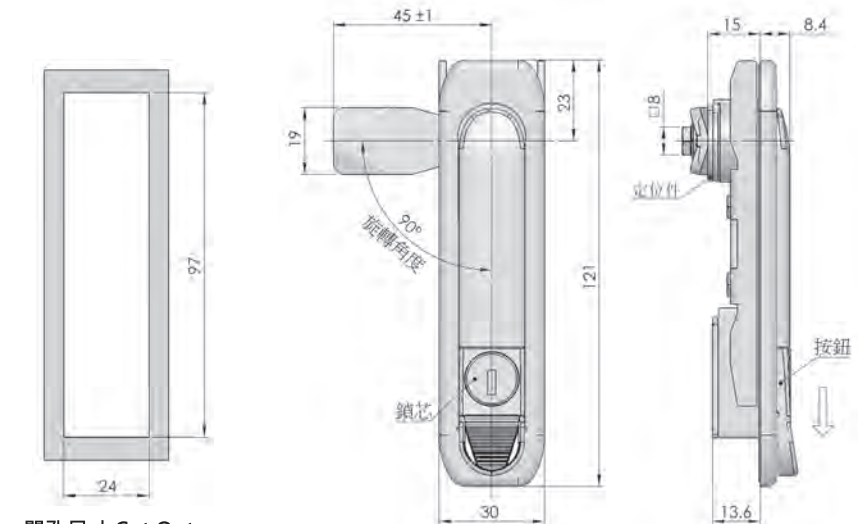


開孔尺寸 Cut Out



MS-738-2A

- 材質：主體 - 鋅合金 · 擋片 - 鐵製      • Material: Body – Zinc Alloy, Cam – Steel
- 表面處理：主體 - 奈米亞光 · 擋片 - 鍍鋅      • S. Tr: Body – Matt Silver Finish, Cam – Zinc Plated
- 手柄承載拉力值：≤ 510N      • Handle Strength
- 手柄承載扭矩值：≤ 40N.m      • Handle Torque
- 最大靜載荷：270N      • Maximum Static Load



開孔尺寸 Cut Out

# 不鏽鋼平面鎖 · 防水型

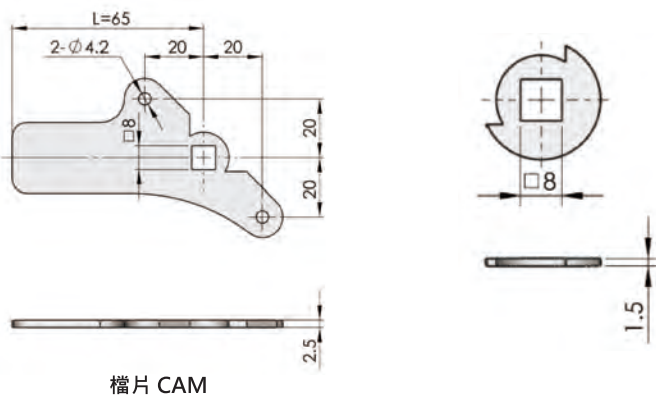
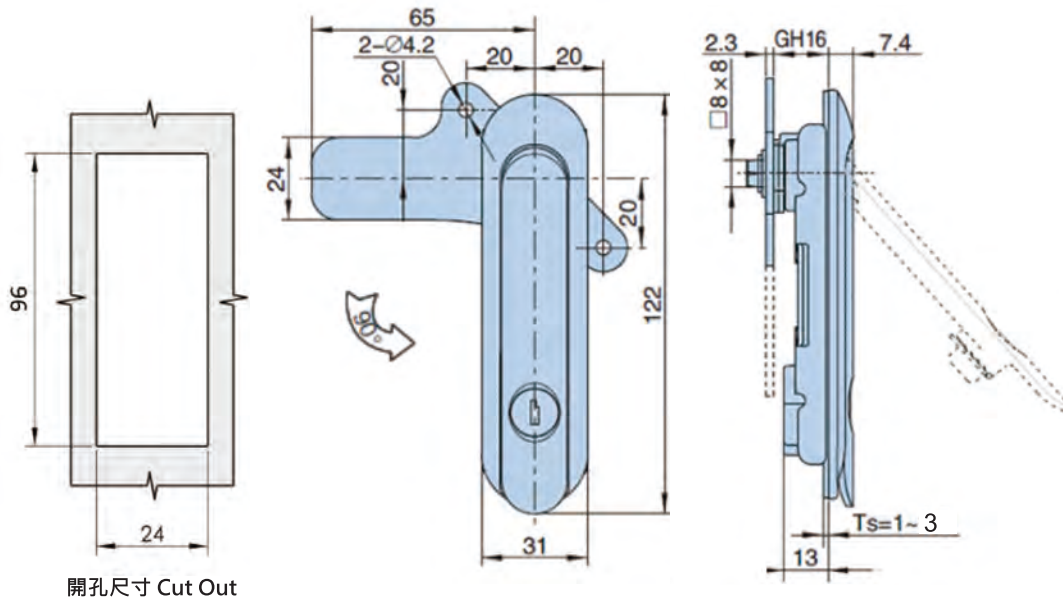
Stainless Steel Latches · Waterproof



平面鎖

LATCHES

- 材質：不鏽鋼 304
- Material: Stainless Steel 304.
- 表面處理：亮面拋光
- S.Tr: Bright polish Finish
- 變換檔片方向，可左右開門通用
- IP54, RoHS, Right and Left Side Opening
- 適用門板厚度：1~3 mm
- Panel thickness: 1~3 mm
- 門擋片可單點或是三點鎖閉使用
- The Cam can be used for single-point or three-point locking on the door frame.
- 鑰匙編號：0200
- Key No : 0200



MS-8433-SS



# 平面壓縮型門鎖 . 可調夾持間距

COMPRESSION LEVER LATCHES ADJUSTABLE GRIP



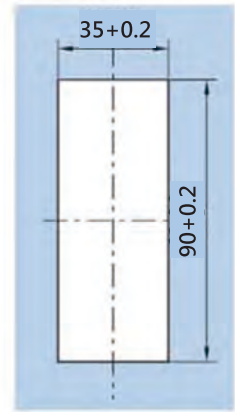
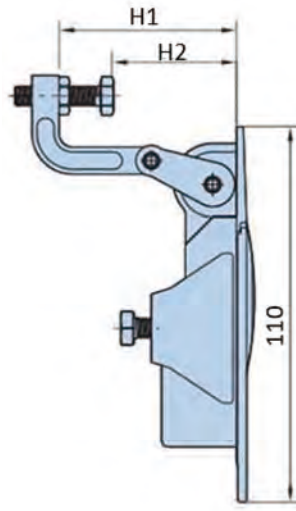
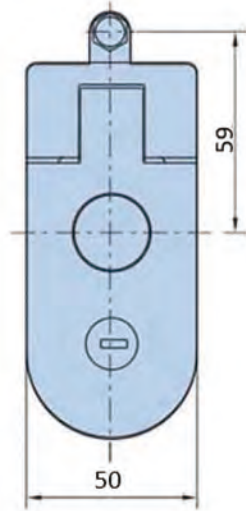
- 材質：鋅合金
- 表面處理：黑色粉體塗裝
- 最大靜載荷：280N.
- 適用門板厚度：1~5mm
- Material: Zinc Alloy
- S.Tr: black powder coating
- Maximum static load: 280N.
- Applicable door thickness: 1~5mm



MS-718-9



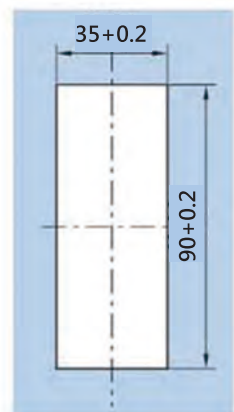
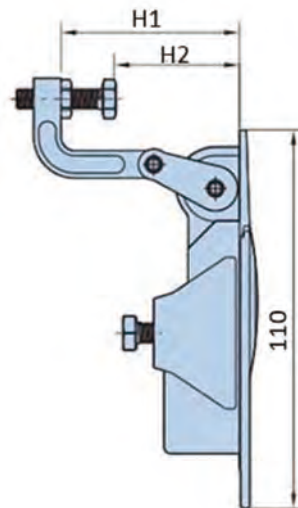
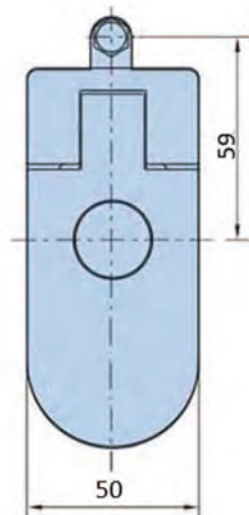
MS-718-9N



開孔尺寸 Cut Out

單位：(mm)

型號	H1	H2
MS-718-9-1	21	0~15
MS-718-9-2	35	15~30
MS-718-9-3	52	30~45
MS-718-9-4	67	45~60



開孔尺寸 Cut Out

單位：(mm)

型號	H1	H2
MS-718-9N-1	21	0~15
MS-718-9N-2	35	15~30
MS-718-9N-3	52	30~45
MS-718-9N-4	67	45~60



# 天地鍵把手

## Multi-point Latching System



- 材質：鋅合金 • Material: Zinc Alloy
- 表面處理：麻面烤漆 - 黑色 • S.Tr: Black powder coated
- 連桿傳動行程·上下端各 16m/m
- Sliding distance of the rod : Top and bottom each 16m/m
- 手柄承載拉力值 :  $\leq 295\text{N}$  • Handle Strength:  $\leq 295\text{N}$
- 手柄承載扭矩值 :  $\leq 25\text{N.m}$  • Handle Torque :  $\leq 25\text{N.m}$
- 最大靜載荷 : 270N • Maximum Static Load: 270N



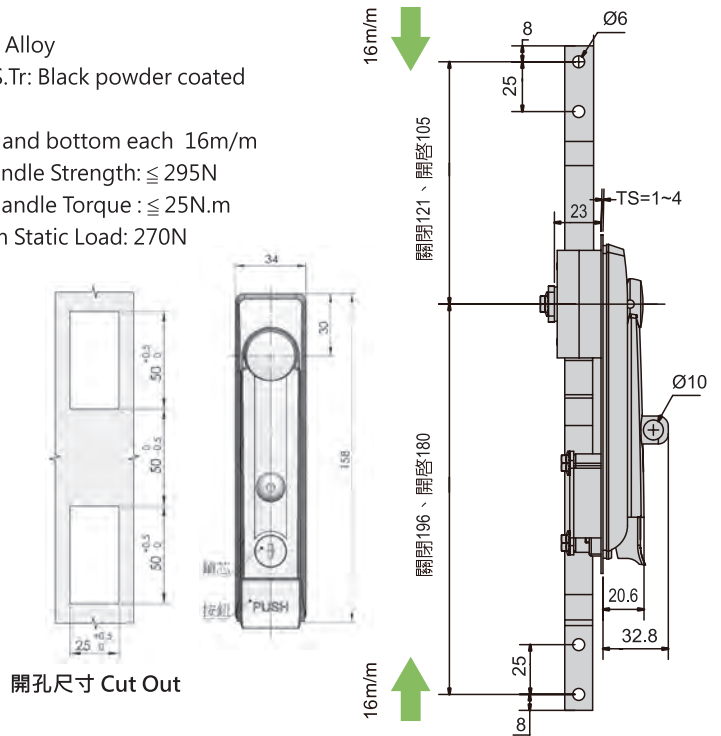
MS-831-1P 附掛鎖座



MS-831



可訂製不同號鎖芯鑰匙 (500 組)  
Can be custom made with  
different lock and  
key combination(500SETS)



# 單點平面鎖

- 材質：鋅合金
- Material: Zinc Alloy
- 麻面烤漆 - 黑色
- S.Tr: Black powder coated
- 手柄承載拉力值 :  $\leq 295\text{N}$
- Handle Strength:  $\leq 295\text{N}$
- 手柄承載扭矩值 :  $\leq 25\text{N.m}$
- Handle Torque :  $\leq 25\text{N.m}$
- 最大靜載荷 : 270N
- Maximum Static Load: 270N

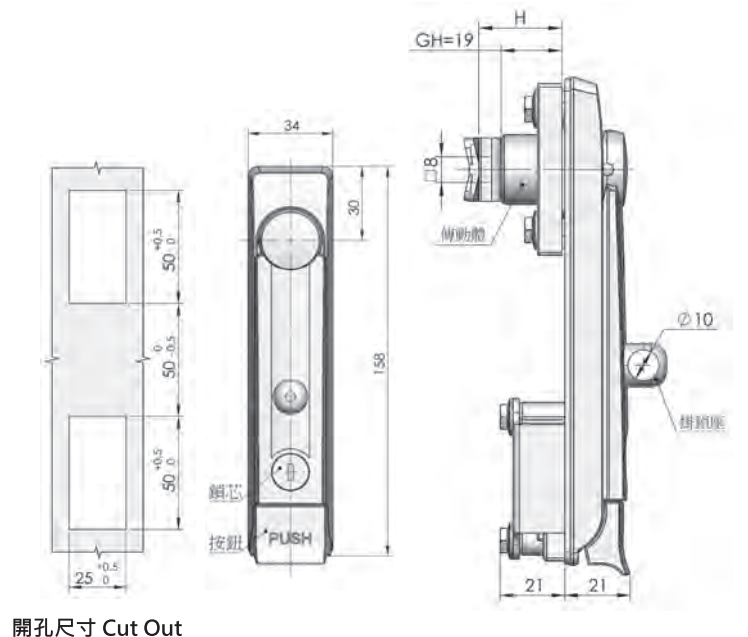


MS-833



MS-833-1P 附掛鎖座

可訂製不同號鎖芯鑰匙 (500 組)  
Can be custom made with  
different lock and  
key combination(500SETS)

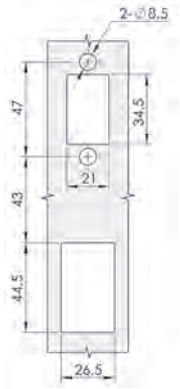


# 天地鍵把手

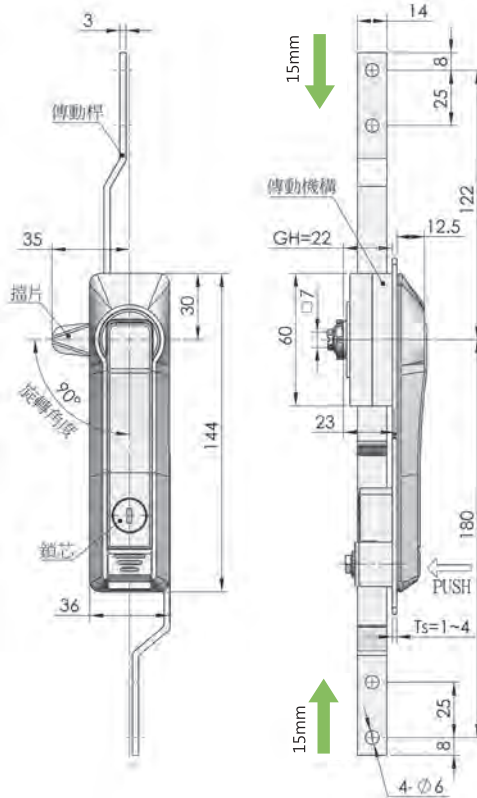
## Multi-point Latching System



- 材質：鋅合金
- Material: Zinc Alloy
- 表面處理：亞光銀、黑色烤漆
- S.Tr: Silver or Black powder coated
- 手柄承載拉力值： $\leq 340N$
- Handle Strength： $\leq 340N$
- 手柄承載扭矩值： $\leq 28N.m$
- Handle Torque： $\leq 28N.m$



開孔尺寸 Cut Out



可訂製不同號鎖芯鑰匙 (20 組)  
Can be custom made with different lock and key combination(20SETS)

# 連桿鎖

## ROD CONTROL SWING HANDLE



MS-828-1



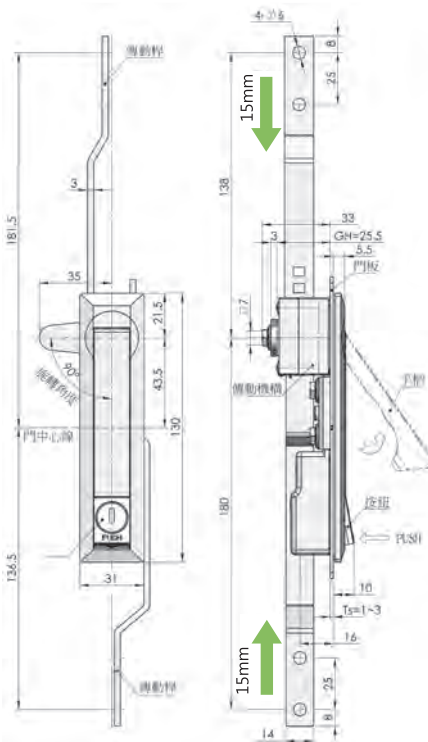
MS-828-2



- 材質：鋅合金
- Material: Zinc Alloy
- 表面處理：亞光銀
- S.Tr: Silver powder coated
- 手柄承載拉力值： $\leq 350N$
- Handle Strength： $\leq 350N$
- 手柄承載扭矩值： $\leq 25N.m$
- Handle Torque： $\leq 25N.m$



開孔尺寸 Cut Out



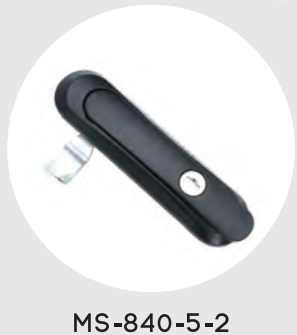
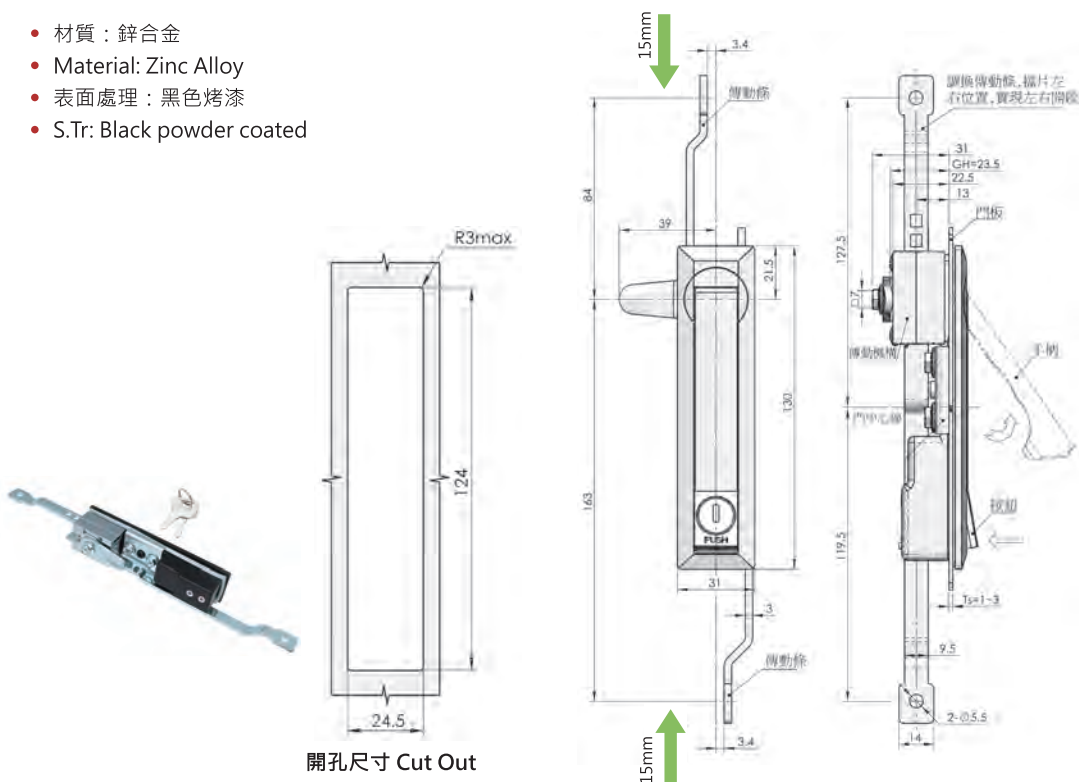
MS-838-1

# 天地鍵把手

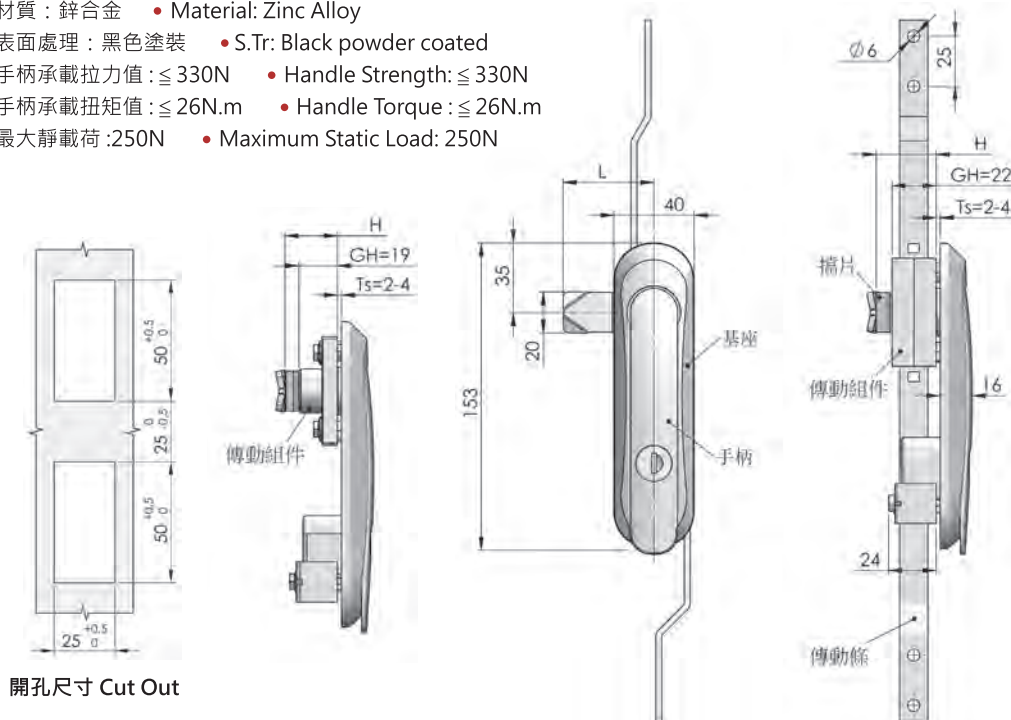
## Multi-point Latching System



- 材質：鋅合金
- Material: Zinc Alloy
- 表面處理：黑色烤漆
- S.Tr: Black powder coated



- 材質：鋅合金
- Material: Zinc Alloy
- 表面處理：黑色塗裝
- S.Tr: Black powder coated
- 手柄承載拉力值： $\leq 330\text{N}$
- Handle Strength： $\leq 330\text{N}$
- 手柄承載扭矩值： $\leq 26\text{N.m}$
- Handle Torque： $\leq 26\text{N.m}$
- 最大靜載荷：250N
- Maximum Static Load: 250N



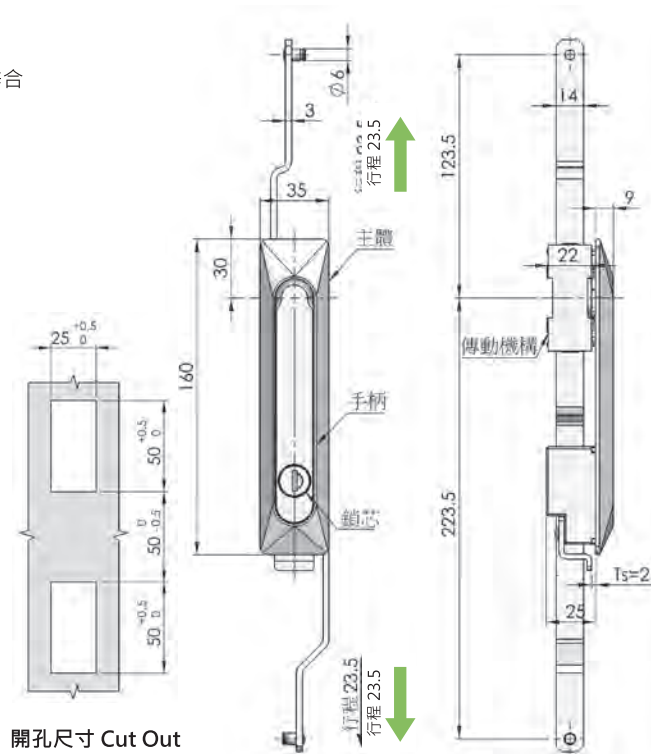
# 天地鍵把手 · PA 塑料 · 自動鎖閉

Multi-point Latching System



## 防護等級：IP65

- 材質：主體 - PA · 手柄、傳動軸、鎖芯 - 鋅合金 · 擋片、傳動條 - 鐵製
- Material : Body - PA, Handle/Rotating Shaft/Lock Cylinder - Zinc Alloy, Cam - Steel
- 表面處理：主體 - 黑色塗裝、擋片 - 鍍鋅
- S. Tr : Body - Black Finish, Cam - Zinc Plated
- 手柄承載拉力值： $\leq 290N$
- Handle Strength： $\leq 290N$
- 手柄承載扭矩值： $\leq 22N.m$
- Handle Torque： $\leq 22N.m$
- 手柄壓回自動鎖閉，避免使用者忘記上鎖。
- The handle is pressed back to automatically lock, Prevent the user forgot to lock it.

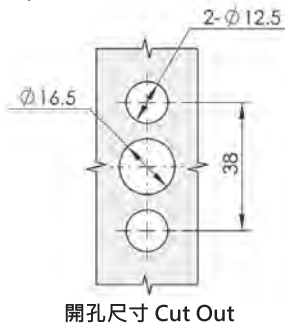


MS-861-2E

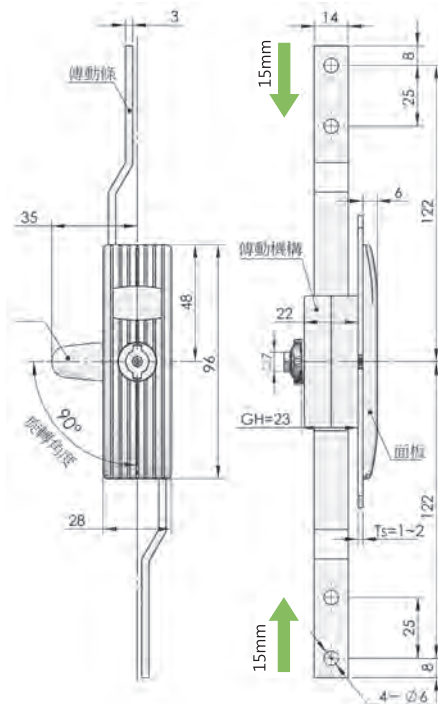
## 工具型鑰匙開啟



- 材質：鎖芯 - 鋅合金 · 面板 - ABS · 擋片、傳動條 - 鐵製 · 傳動殼 - PA
- Material: Lock Cylinder - Zinc Alloy, Frame - ABS
- 表面處理：鎖芯、面板 - 奈米亞光銀 · 擋片 - 鍍鋅
- S. Tr : Lock Cylinder & Frame - Matt Silver Finish, Cam - Zinc Plated
- 輸入扭矩值： $\leq 3N.m$
- Input Torque： $\leq 3N.m$



開孔尺寸 Cut Out



MS-820-1A

備註：在未變換傳動條與傳動殼相對位置下，取下擋片及鎖芯等零件，傳動體翻轉 180 度可實現左右開啟的變化



# 高耐鹽霧防護表面 . 天地連桿鎖 充電樁適用

High resistance salt spray protection . Multipoint Latch (Padlockable).

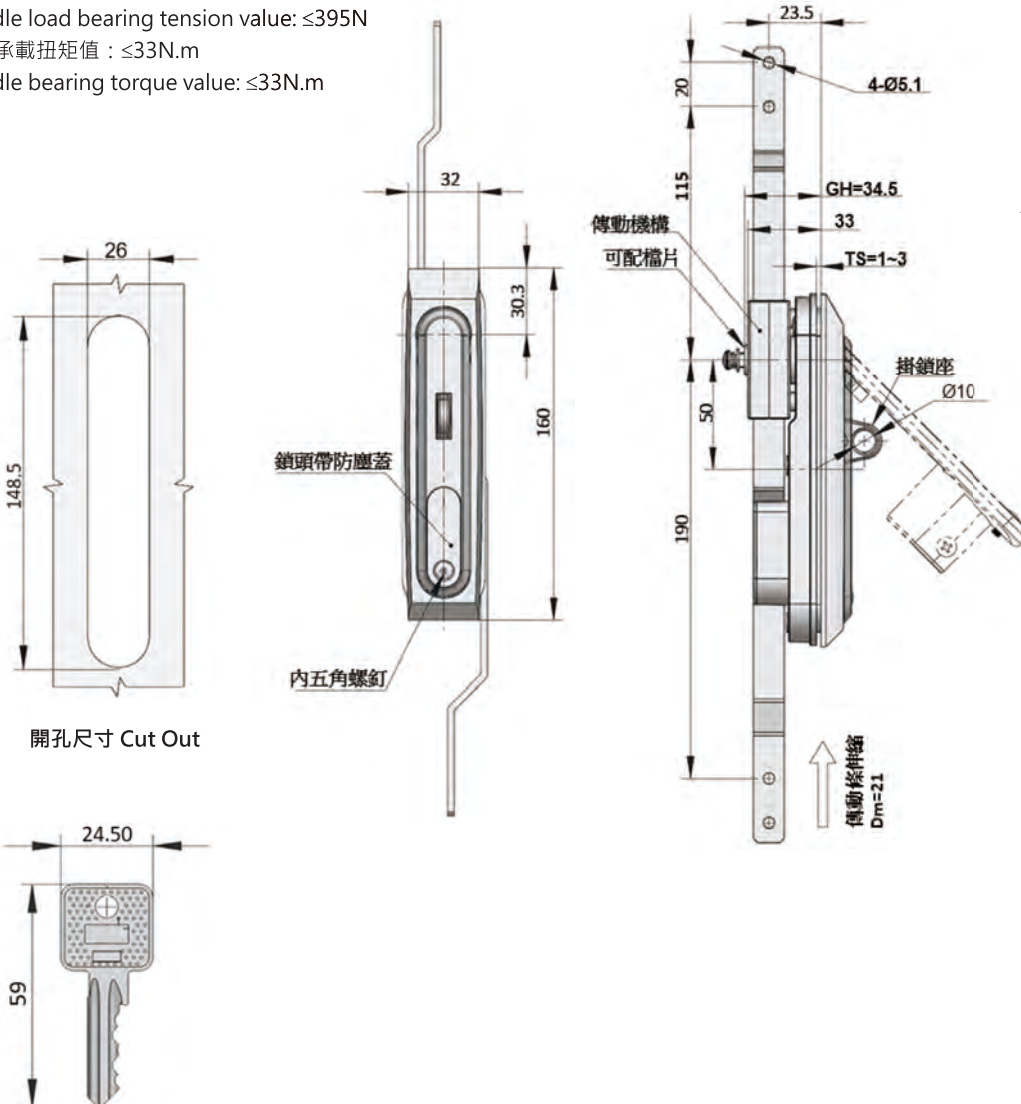


## 連桿鎖

ROD CONTROL SWING HANDLE

### 防護等級 : IP65

- 材質：鋅合金 - 基座 & 手柄鎖頭組件 · 不鏽鋼 304- 擋片 & 傳動條
- Material: Zinc alloy-base & handle assembly, stainless steel 304-cam & drive bar
- 表面處理：烤漆 ( 黑色高耐鹽霧 ) 手柄 & 基座 · 鍍亮光鉻鎖頭組件
- S.Tr: Coating (black high salt spray resistance) handle & base, bright chrome plated lock assembly
- 手柄抬起 45°後可 135°旋轉，帶動傳動桿上下作動完成開啟和鎖閉 · 調換齒輪齒條位置實現左右開啟 · 可加裝掛鎖
- The handle can be rotated 135° after being lifted by 45° , driving the transmission rod to move up and down to complete the opening and locking, and the position of the rack and pinion can be changed to realize left and right opening, and a padlock can be installed.
- 鎖頭外側配置防護蓋，提高整鎖安全性及保護鎖心免受灰塵及雨水入侵 ·
- The outer side of the lock head is equipped with a protective cover to improve the safety of the whole lock and protect the lock core from dust and rain. Use for charging pile
- 手柄承載拉力值：≤395N
- Handle load bearing tension value: ≤395N
- 手柄承載扭矩值：≤33N.m
- Handle bearing torque value: ≤33N.m



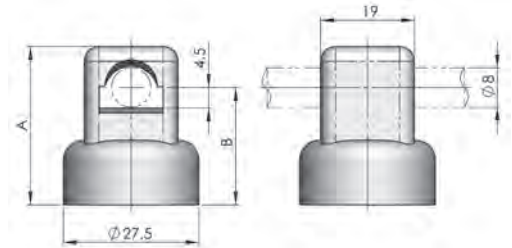
## 連桿型把手鎖專用配件

## Fittings For 3 Point System Latch

## TG-002 系列

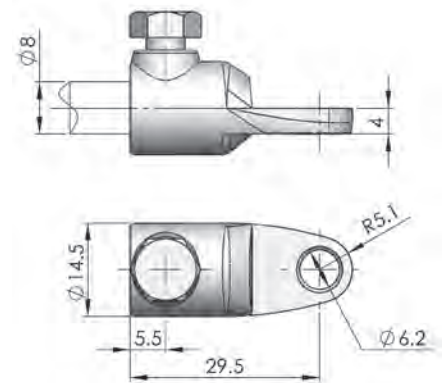
- 黑色 PA 導向件 · 內嵌螺母

型號 Item No	A	B	焊接螺絲 規格
TG-002-1	32	24	M6x16
TG-002-2	38	30	M6x20
TG-002-3	42	34	M6x20



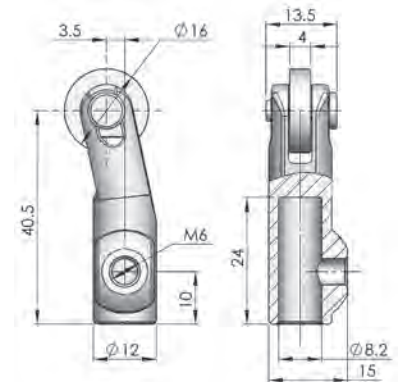
## TG-006

- 鍍鋅 ZDC 連桿連接件 · 鍍鋅鋼 M6 緊固螺絲
- 材質：鋅合金



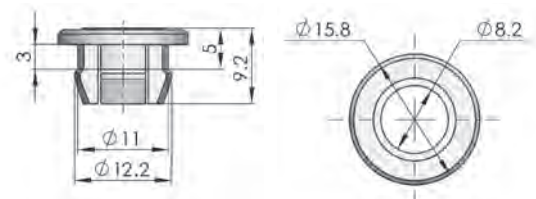
## TG-007

- 鋅合金連接套 · 尼龍滾輪



## TG-008

- 尼龍導向套 · 適用於 Ø8mm 圓連桿
- 材質：黑色 PA

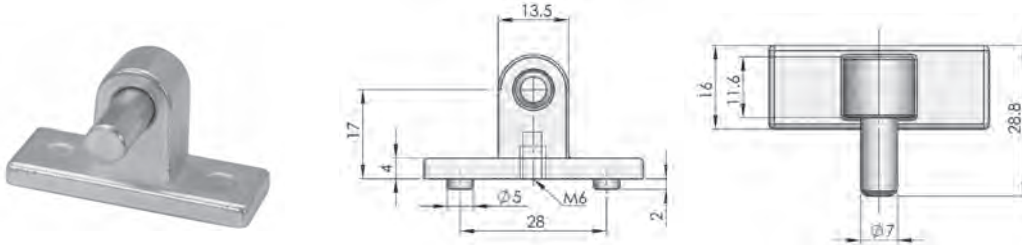


# 連桿型把手鎖專用配件

Fittings For 3 Point System Latch

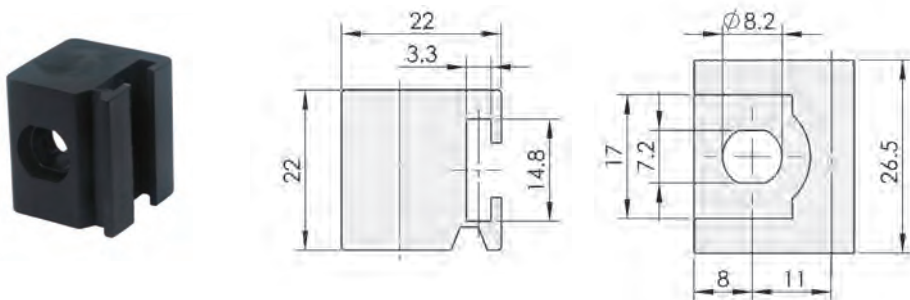
## TG-003

- 鋅合金固定扣 · 鐵鍍鋅插銷 · M6 螺絲固定



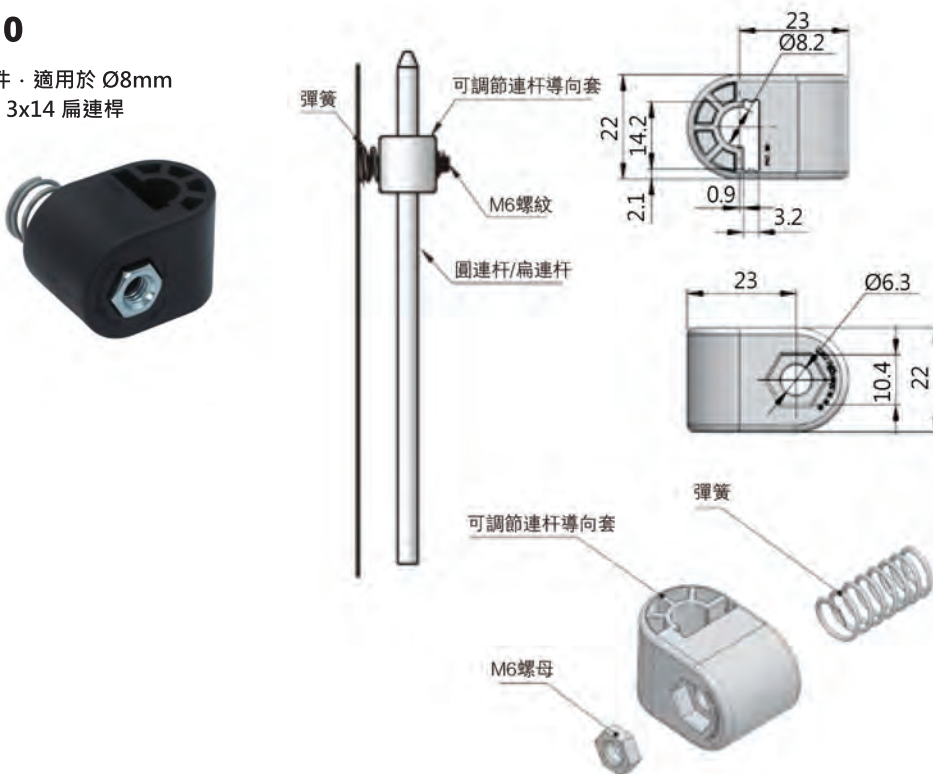
## TG-001

- PA 導向件 · 可用 M6X16~20 植焊螺釘固定



## RG-010

- PA 導向件 · 適用於 Ø8mm 圓連桿及 3x14 扁連桿







## 小型·拉動式·搭扣·不銹鋼

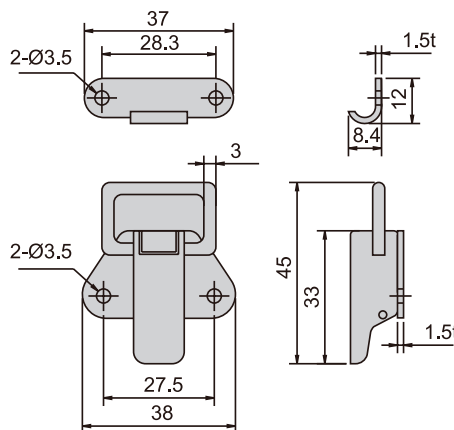
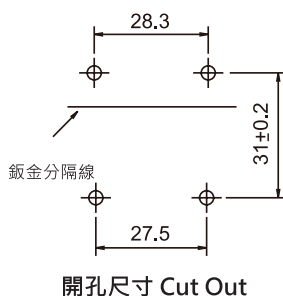
### Draw Latch



- 材質：不銹鋼 304
- Material: Stainless Steel 304
- 表面處理：振動研磨
- S.Tr: Vibration Polish



TS-146



## 小型不銹鋼彈簧迫緊式搭扣

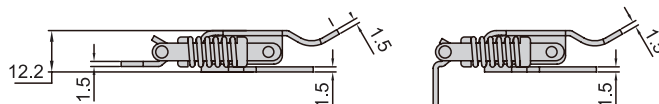
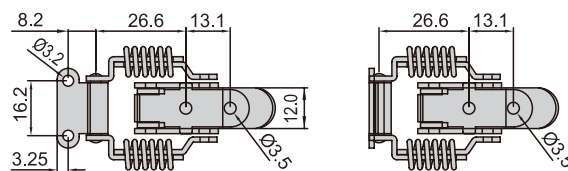
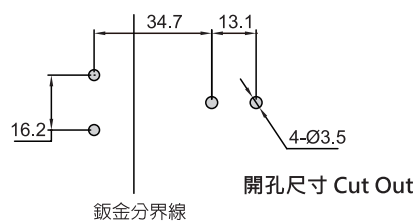
### Spring Loaded Draw Latch · Compression



- 材質：不銹鋼 304
- Material: Stainless steel 304
- 表面處理：震動拋光
- S.Tr: Vibration Polish
- 裝置彈簧·可迫緊物件
- With spring compression function



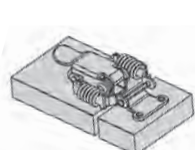
TS-33



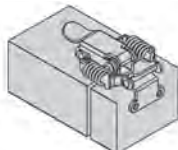
TS-33A 水平安裝座



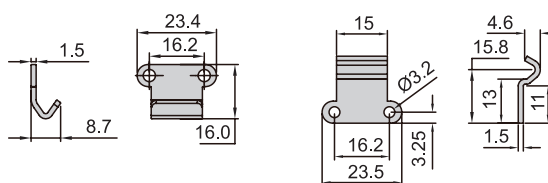
TS-33B 垂直安裝座



水平安裝示意圖



垂直安裝示意圖



# 不銹鋼搭扣

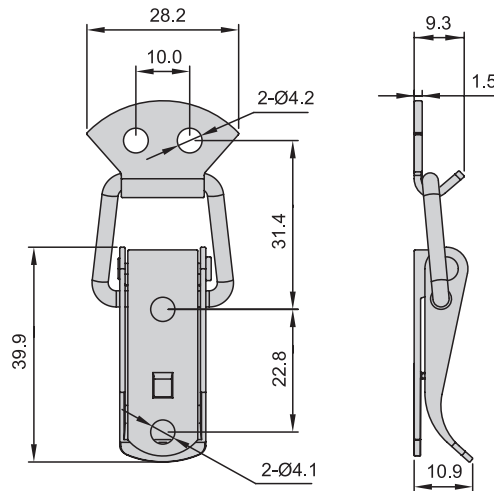
Stainless steel · Draw Latches



搭扣、門檔、  
磁鐵門吸

DRAW LATCHES

- 材質：不銹鋼 304
- Material : Stainless steel 304
- 表面處理：震動研磨
- S.Tr: Vibration Polish



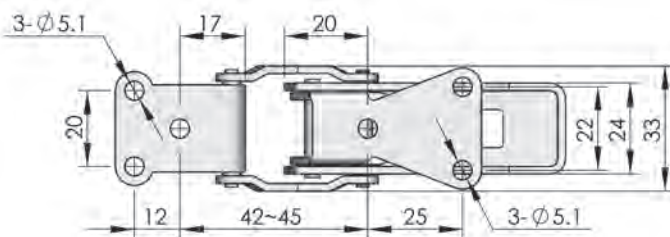
TS-17

# 不銹鋼 · 壓縮 · 帶安全扣裝置

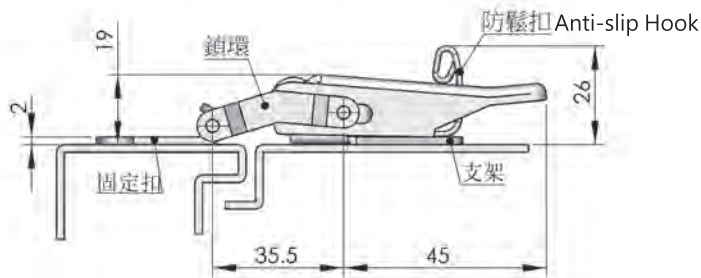
Stainless steel · Compression



- 內置鎖緊彈簧
- 材質：不銹鋼 304
- Material: Stainless Steel 304
- 物件鎖定後，利用防鬆扣拉緊手柄，避免意外開啟
- With anti-slip hook to tighten the grip and prevent accidental loosening
- 最大靜載荷 :800N
- Maximum Static Load:800N



TS-605



## 迷你型不銹鋼彈簧壓縮型搭扣

Compression Draw Latch · Mini Type

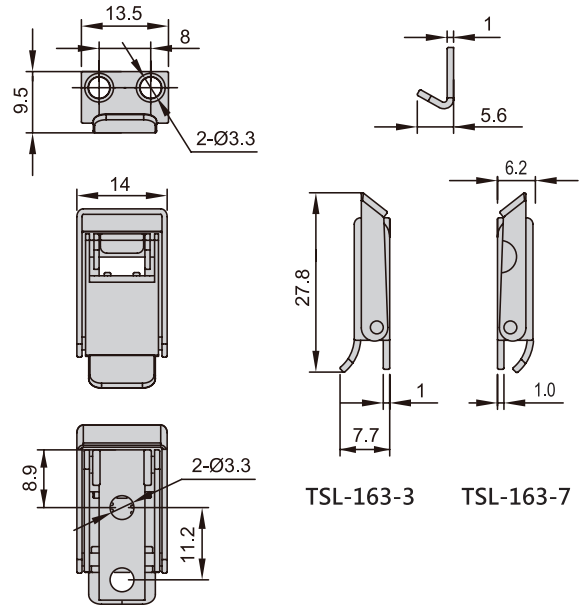
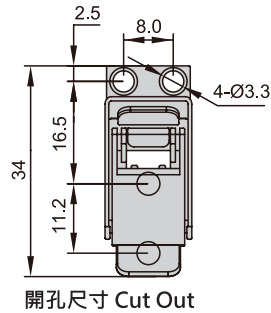


TSL-163-3



TSL-163-7

- 材質：不銹鋼 304
- Material : Stainless Steel 304
- 表面處理：震動拋光
- S.Tr : Vibration polish finish
- 內部裝置彈簧，可迫緊物件
- Spring loaded for strong compression function



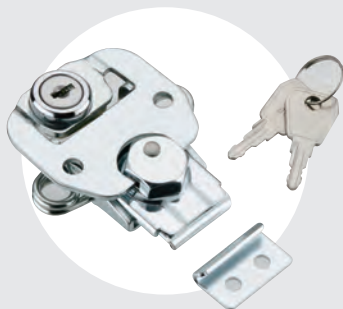
- 使用 M2.5 皿頭螺絲
- Use M2.5 screws

## 提轉型搭扣 · 帶鎖芯

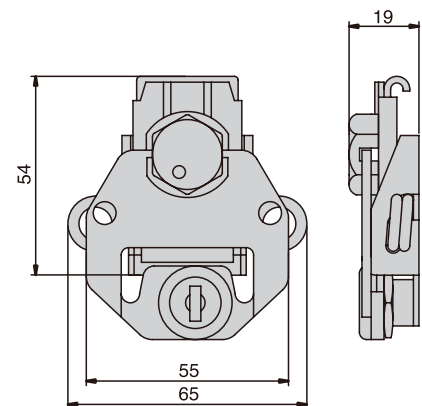
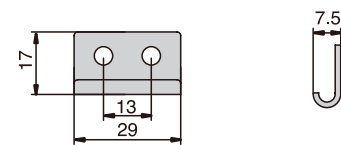
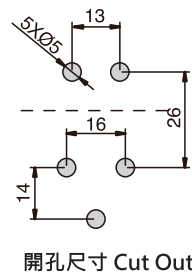
Rotary Action Draw Latches With Lockcore



- 材質：鋼鐵、不銹鋼
- Material : Steel、Stainless steel
- 表面處理：鍍鋅
- S.Tr : Zinc Plated



TS-180



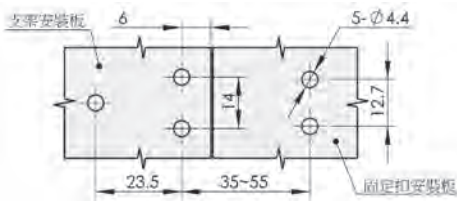
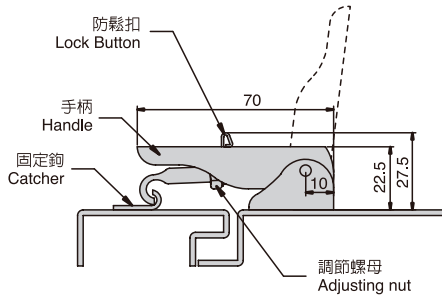
型號 Item No	材質 Material
TS-180	鋼鐵 Steel
TS-180-SS	不銹鋼 304 Stainless steel304

# 搭扣 · 可調間距 · 帶防鬆扣

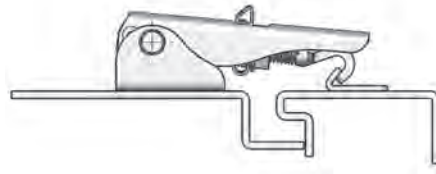
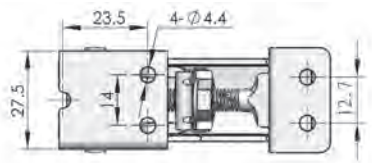
Adjustable grip · With anti-slip hook



- 可調間距設計 · 配置防鬆扣防止意外開啓
- Adjustable design, with anti-slip hook to prevent accidental loosening
- 最大靜載荷：430N
- Maximum Static Load : 430N



開孔尺寸 Cut Out



型號 Item No	材質 Material
TS-602-3B	鋼鐵 Steel
TS-602-3B-S	不銹鋼 304 Stainless steel 304

# 搭扣、門檔、磁鐵門吸

DRAW LATCHES



TS-602-3B (鋼鐵)



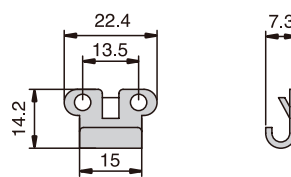
TS-602-3B-S (不銹鋼)

# 不銹鋼 · 彈簧壓縮型搭扣 · 附掛鎖孔

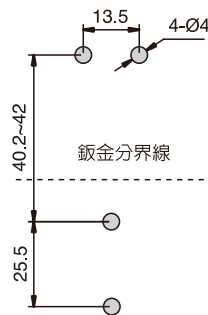
Spring Loaded Draw Latch · Compression



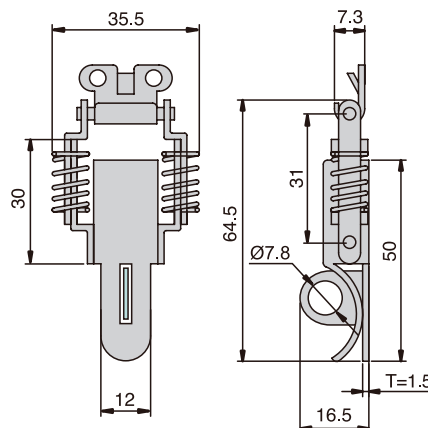
- 材質：不銹鋼 304
- Material: Stainless Steel 304
- 裝置彈簧 · 壓縮夾持物件
- Installed with spring inside for powerful compression
- 夾持力：20 kgf
- Static Load : 20 kgf



掛鎖安裝示意



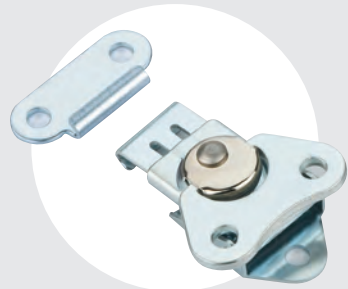
開孔尺寸 Cut Out



TSL-3071

## 提轉型搭扣

### Rotary · Draw Latch

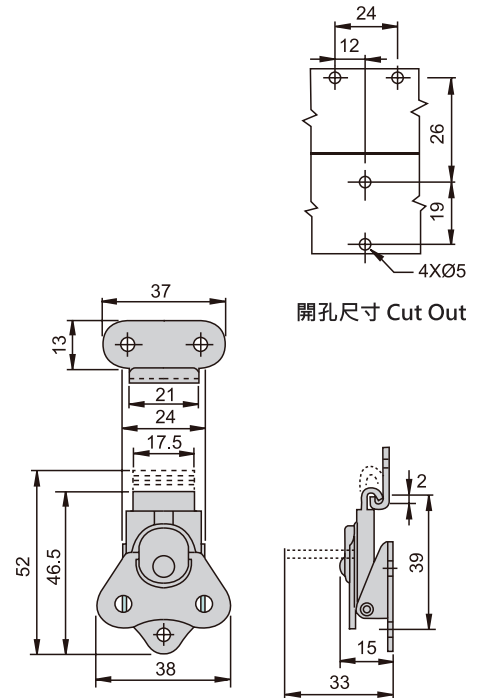


TS-153

- 材質：鋼鐵或不銹鋼 304
- Material : Steel or Stainless Steel 304
- 表面處理：鍍鋅或震動拋光
- S.Tr: Zinc Plated or Vibration Grind



型號 Item No	材質 Material
TS-153	鋼鐵 Steel(常規)
TS-153-SS	不銹鋼 304 Stainless steel 304

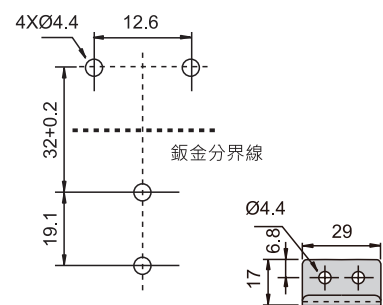


TS-156-1

- 材質：鋼鐵或不銹鋼 304
- Material: Steel or Stainless Steel 304
- 表面處理：黑色塗裝、震動拋光
- S.Tr : Black powder coated or Vibration Polish
- 抬起手柄轉動，使滑片伸縮
- To operate · lift the wing and turn
- 最大工作載荷：700N
- Max working load : 700N



型號 Item No	材質 Material
TS-156-1	鋼鐵 Steel
TS-156-2	不銹鋼 304S Stainless steel 304



TS-156-2

# 提轉型搭扣

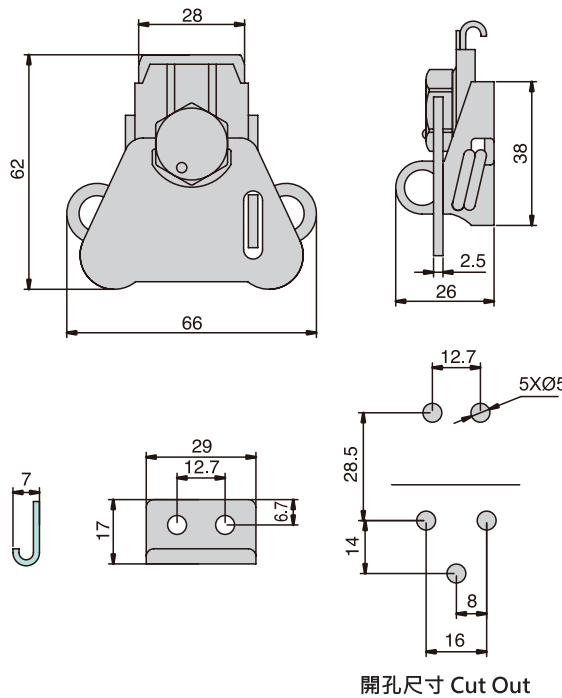
Rotary · Draw Latch



搭扣、門檔、  
磁鐵門吸

DRAW LATCHES

- 材質：鋼鐵
- Material: Steel
- 表面處理：鍍鋅
- S.Tr: Zinc Plated



TS-158-1



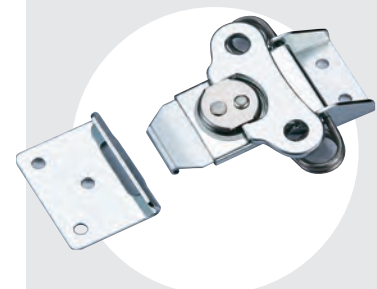
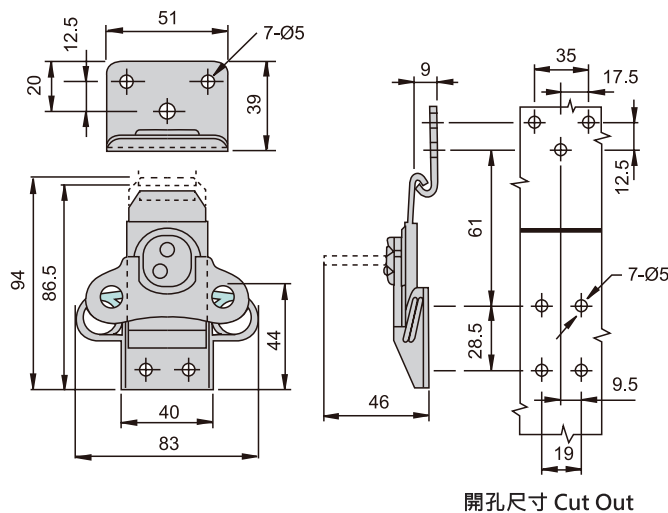
TS-158-2

# 大型搭扣 · 提轉式

Rotary · Draw Latch



- 材質：鋼鐵
- Material: Steel
- 表面處理：鍍鋅
- S.Tr: Zinc plated
- 滑片伸縮距離：8mm
- Adjustable latching distance: 8mm



TS-2011

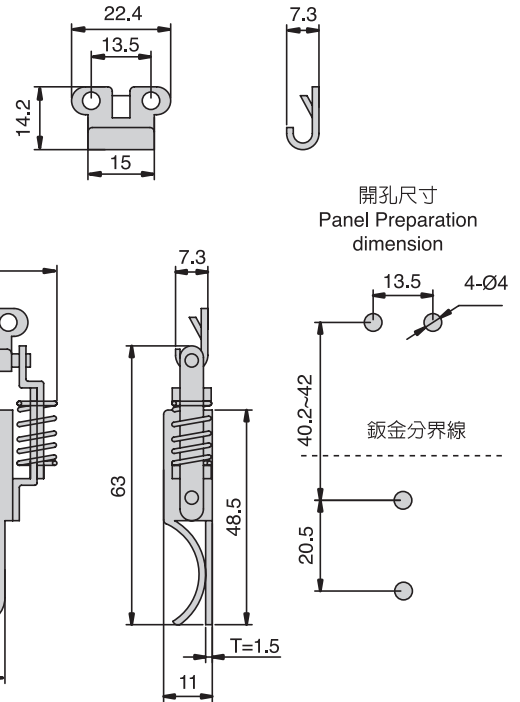
## 不銹鋼 · 彈簧壓縮型搭扣

Spring Loaded Draw Latch · Compression



TSL-3061

- 材質：不銹鋼 304
- Material : Stainless Steel 304
- 裝置彈簧，壓縮夾持物件
- Installed with spring inside for powerful compression

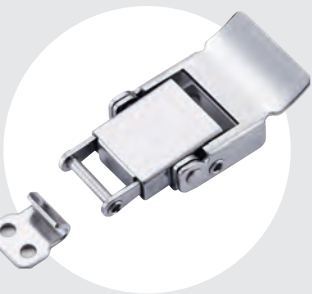
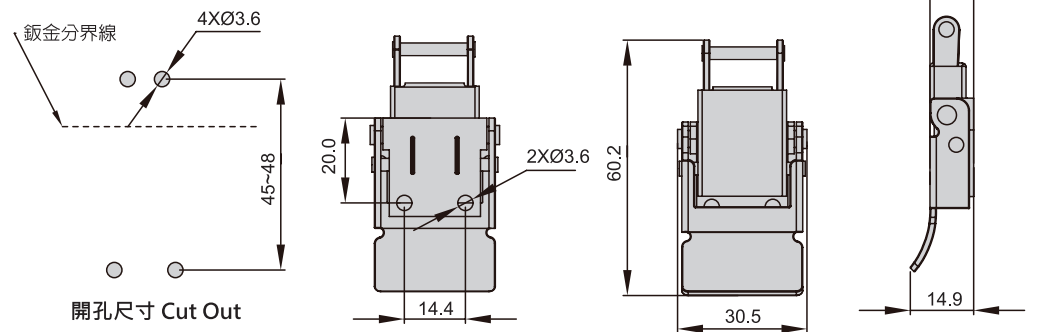


## 彈簧壓縮型搭扣

Spring Loaded Draw Latch · Compression



- 材質：不銹鋼 304
- Material : Stainless steel 304
- 表面處理：震動拋光
- S.Tr : Vibration Polish
- 內部裝置隱藏彈簧，可迫緊物件
- Installed with spring inside for powerful compression



TS-168-SS

# 彈簧壓縮型搭扣不銹鋼

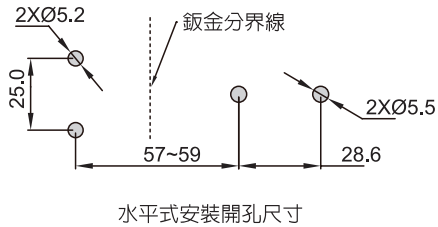
## Spring Loaded Draw Latch · Compression



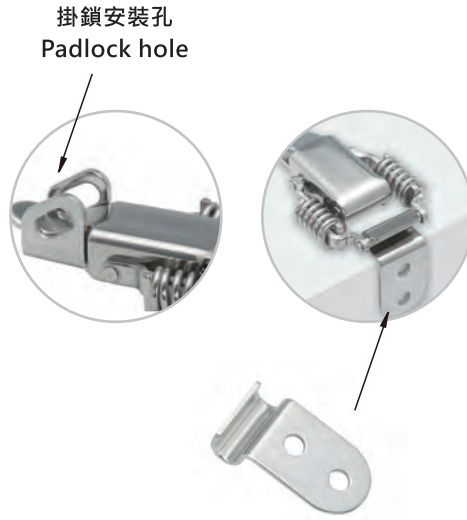
搭扣、門檔、  
磁鐵門吸

DRAW LATCHES

- 材質：不銹鋼 304
- Material : Stainless steel 304
- 裝置彈簧，壓縮鎖緊物件



A 扣座 TSL322-A  
水平安裝



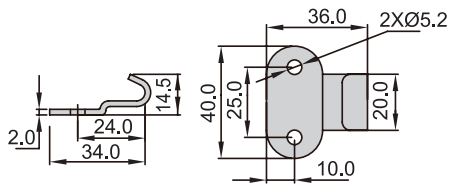
C 扣座 TSL322-C  
垂直安裝



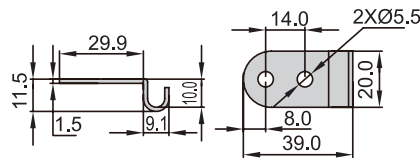
TSL-322



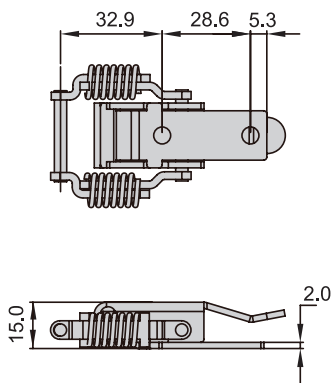
TSL-322P



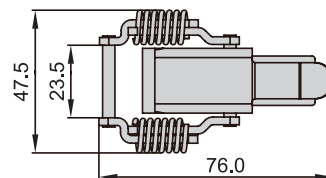
A 扣座 (TSL322-A)- 水平式安裝用



C 扣座 (TSL322-C)- 垂直式安裝用



TSL-322



TSL-322P

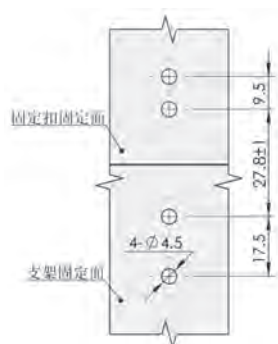
## 拉動型搭扣

Flexible. Over-center. Draw Latch

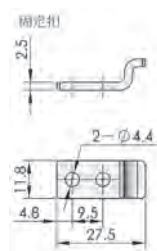
- 材質：黑色橡膠把手，不銹鋼固定扣 & 支架
- Material : Black Rubber Handle, Stainless Steel Mounting Hook & Bracket
- 最大靜載荷：45N
- Maximum Static Load : 45N



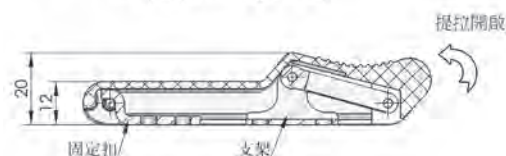
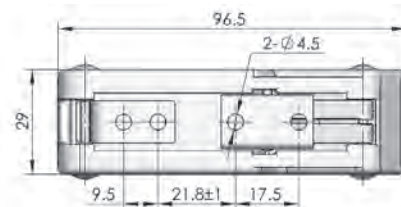
TS-609



開孔尺寸 Cut Out



固定扣  
Mounting Hook



## 拉動開啟型

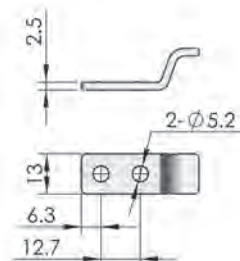
Draw Latch

### 橡膠搭扣

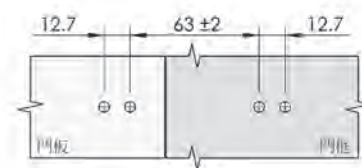
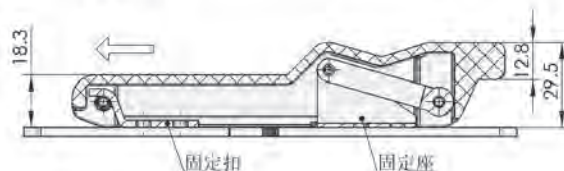
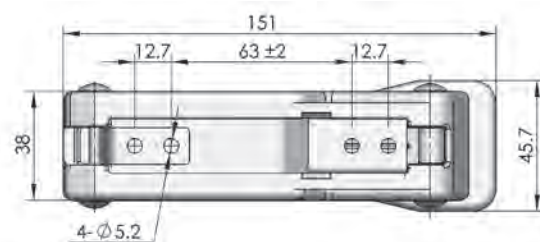
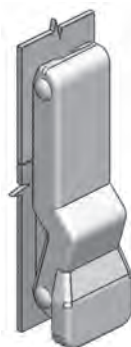
- 材質：把手 - 黑色橡膠，固定座及固定扣 - 不銹鋼
- Material : Handle - Black Rubber, Mounting Bracket & Hook - Stainless Steel
- 最大靜載荷：165N
- Maximum Static Load : 165N



TS-609-2



固定扣

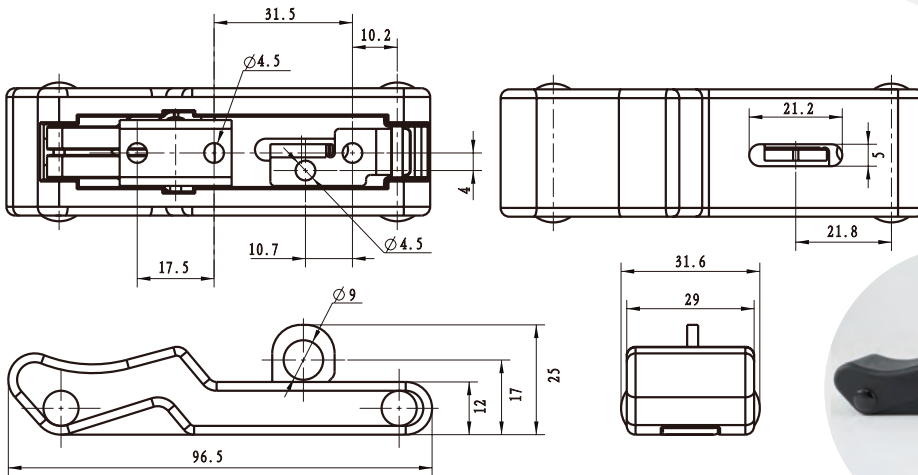


開孔尺寸 Cut Out

## 拉動型搭扣

Flexible. Over-center. Draw Latch

- 材質：黑色橡膠把手，不銹鋼 304 固定扣 & 支架
- Material: Black Rubber Handle, Stainless Steel 304 Mounting Hook&Bracket
- 最大靜載荷：200N
- Maximum Static Load: 200N
- 安全圓滑設計，吸收撞擊力，軟性材質可彌補安裝孔錯位誤差。
- Safe and sleek design, absorb impact force, soft material can make up for the misalignment error of the mounting hole
- 使用者可自行加裝掛鎖，提升安全性
- Install padlock to enhance anti-theft function

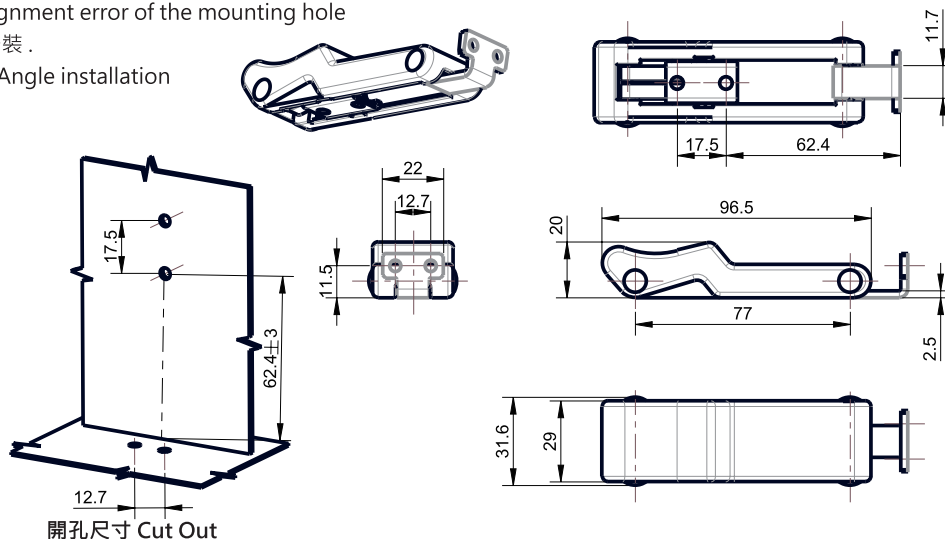


TS-609-UV-1P

## 拉動型橡膠箱扣 . 90 度直角安裝

90 degree vertical installation

- 材質：黑色橡膠把手，不銹鋼 304 固定扣 & 支架
- Material: Black Rubber Handle, Stainless Steel 304 Mounting Hook&Bracket
- 最大靜載荷：200N
- Maximum Static Load: 200N
- 安全圓滑設計，吸收撞擊力，軟性材質可彌補安裝孔錯位誤差。
- Safe and sleek design, absorb impact force, soft material can make up for the misalignment error of the mounting hole
- 直角安裝。
- Right Angle installation



TS-609-UV-3

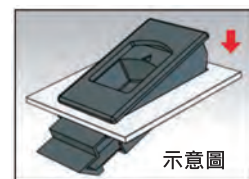


## 推動開啟 · 推入鎖定 · 塑料

Slide Latches, Push to Close



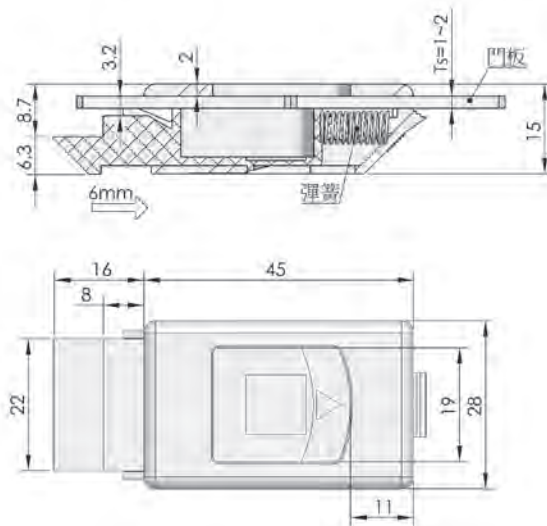
- 材質：ABS
- Material：ABS
- 手指按壓三角箭頭方向，止動擋塊連動
- 內縮 6m/m
- 適用板厚：1~2m/m
- Panel thickness：1~2m/m
- 最大靜載荷：200N
- Maximum Static Load：200N



MS-725



MS-725-L  
(增加鎖住功能)



開孔尺寸 Cut Out

## 推入鎖定 · 帶鎖心 · 快速扣件

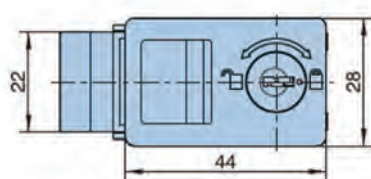
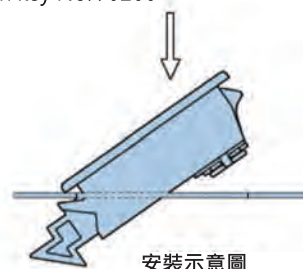
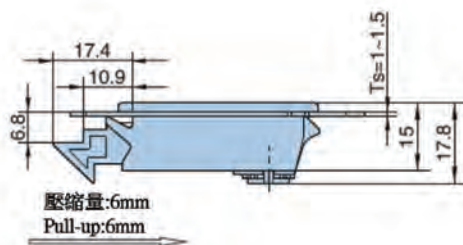
Push to Close. With locking core. Quick fastener

- 材質：PA6+30%GF 鎖體 · 鎖芯。
- 適用門板厚度：1~1.6mm
- 結構功能：鎖芯旋轉 180°實現鎖閉或開啟 · 搭配 0200 號鑰匙。

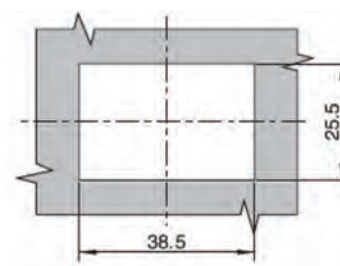
- Material：PA6+30%GF lock body, lock cylinder.
- Applicable door thickness：1~1.6mm
- Structural function: the lock cylinder rotates 180° to lock or open, With key No. : 0200



MS-725-0200



Unit : mm



開孔尺寸 Cut Out

# 按壓式門鎖

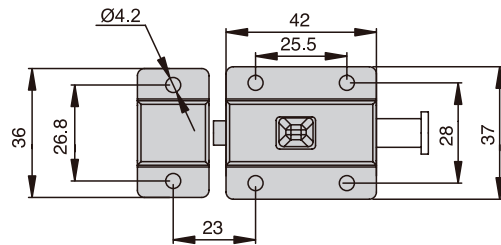
Push Latches



搭扣、門檔、  
磁鐵門吸

DRAW LATCHES

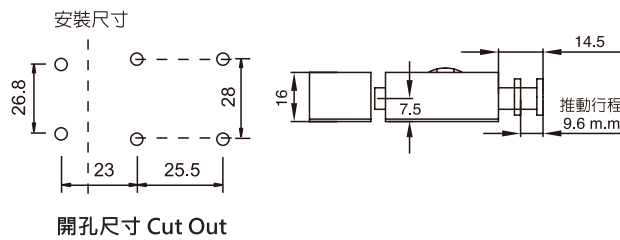
- 材質：不銹鋼
- Material: Stainless Steel
- 表面處理：振動研磨
- S.Tr: Vibration Polish



MS-101-SUS



關閉狀態



# 按壓開啟 · 鋅合金鎖扣

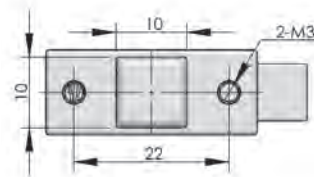
Push to close · Latches



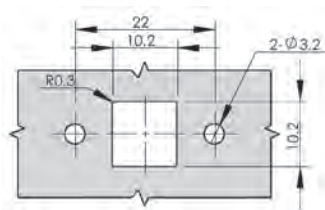
- 材質：鋅合金 - 基座、按鈕、鎖舌
- Material: Zinc Alloy
- 表面處理：鍍鎳
- S.Tr: Nickel-plated
- 按壓按鈕行程 6.5m/m 時 · 鎖舌內縮 7m/m
- 適用板厚：1~8m/m
- Panel thickness: 1~8 m/m
- 最大靜載荷：400N



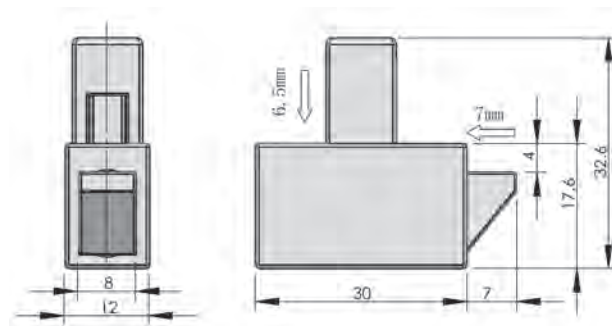
鎖舌內縮狀態



TS-637



開孔尺寸 Cut Out



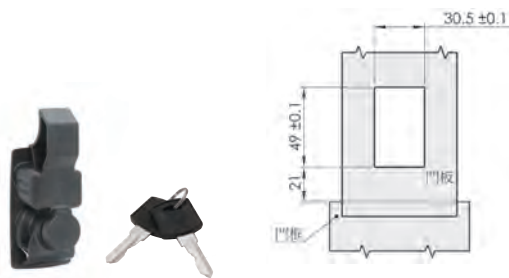
## 埋入型搭扣鎖 · 滑動開啟

Push to Close · Paddle Latches

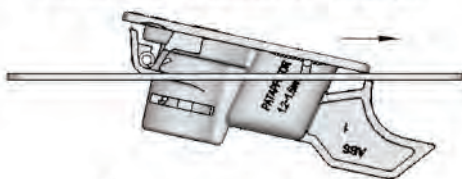
- 材質：ABS(黑色)
- Material：ABS(Black)
- 工作溫度範圍：-40°c ~ 60°c
- 適用板厚：1.2~1.6mm
- Panel thickness：1.2~1.6 mm
- 最大靜載荷：500N
- Maximum Static Load：500N



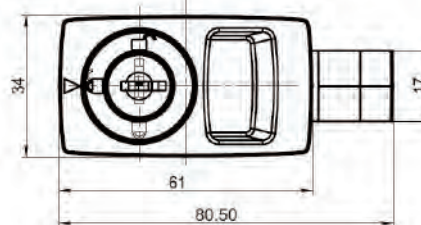
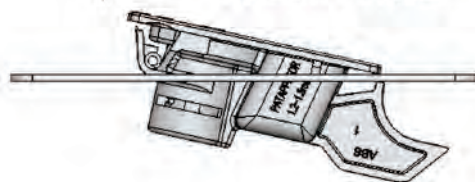
MS-725-5



1. 推動鎖的前部穿過銹金開孔，按壓向前



2. 按壓後端，卡入定位



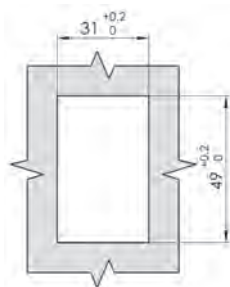
## 拉動開啟

Lift to open

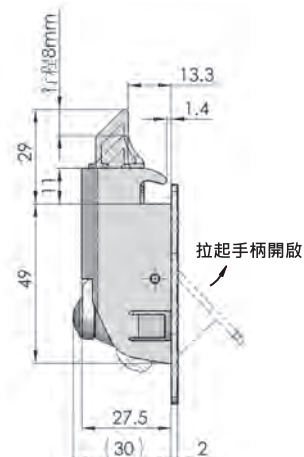
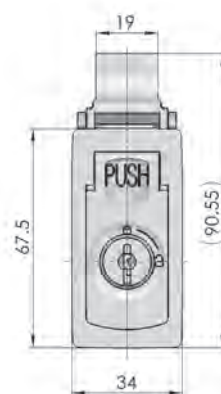
- 材質：PA6+GF30%(黑色)
- Material：PA6+GF30%(Black)
- 工作溫度範圍：-40°c ~ 60°c
- 適用板厚：1.5mm
- Panel thickness：1.5 mm
- 最大靜載荷：245N
- Maximum Static Load：245N



MS-725-7



開孔尺寸 Cut Out

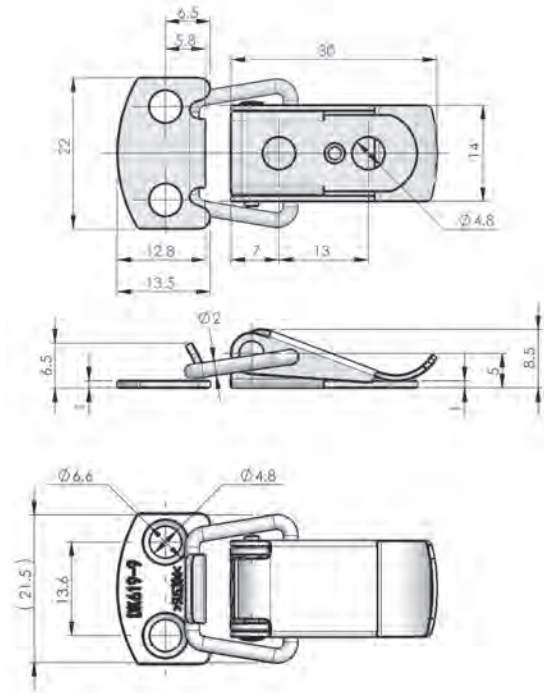


# 拉動開啟型

## Draw Latch



- 材質：不銹鋼 304
- Material : Stainless Steel 304
- 最大靜載荷：140N
- Maximum Static Load : 140N



# 搭扣、門檔、磁鐵門吸

## DRAW LATCHES



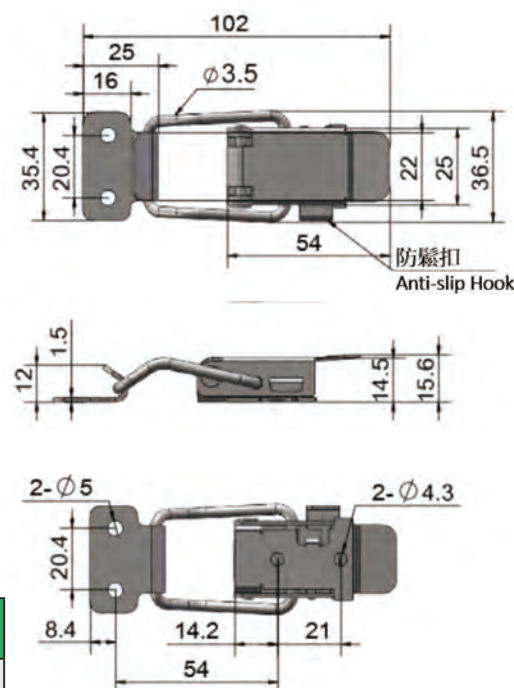
TS-619-9

# 不鏽鋼箱扣 · 帶安全壓鈕

## Draw Latch . with safety button



- 材質：不鏽鋼 304
- Material: Stainless Steel 304
- 表面處理：震動拋光
- S.Tr: Vibration Polishing
- 特點：獨特的自鎖結構設計，防止搭扣在使用過程中意外彈開，操作便捷，安全性佳。
- Features: Unique self-locking structure design to prevent the buckle from accidentally popping open during use, Easy to operate and safe.
- 適用於：機械設備 / 軍工設備 / 車輛 / 食品機械
- Applicable to: machinery equipment/military equipment/vehicles/food machinery



TS-102-SS



型號 Item No	材質 Material	鎖緊力 Locking load	極限載荷 Ultimate load
TS-102-SS	SUS304	500N	4000N

## 磁鐵拍門器

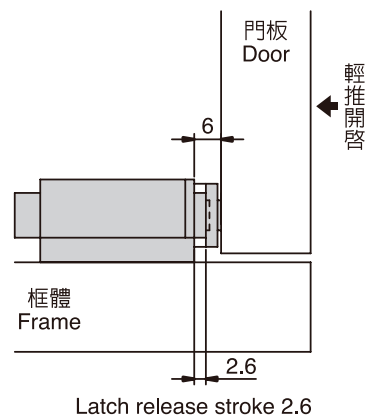
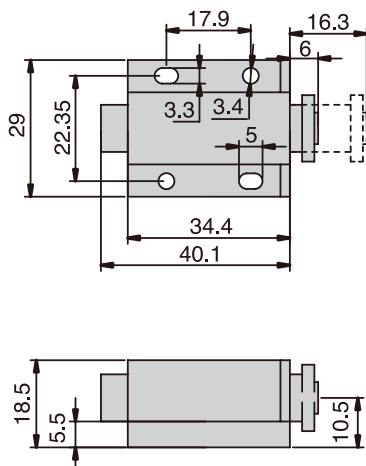
### Magnetic catches

#### 單管

- 材質：ABS
- Material：ABS
- Push to Close and Push to Open



TK-713B

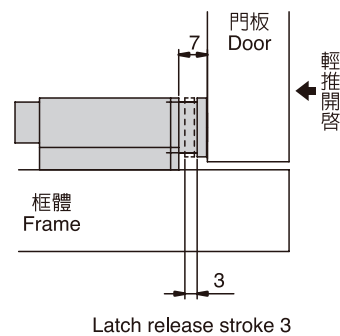
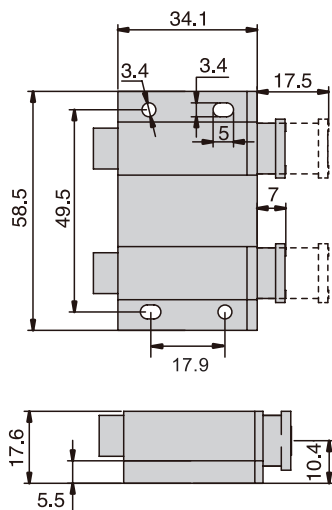


#### 雙管

- 材質：ABS
- Material：ABS
- Push to Close and Push to Open



TK-714B



# 上偏心 · 可調間距 · 拉動開啟 · 附掛鎖孔

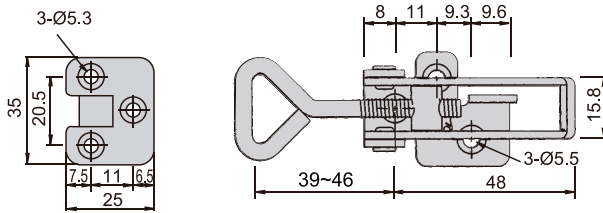
## Adjustable Series Draw Latches With padlock hole



搭扣、門檔、  
磁鐵門吸

DRAW LATCHES

- 材質：不銹鋼 304、鋼鐵
- Material : Stainless Steel 304、Steel-zinc plated
- 表面處理：震動研磨或鍍鋅
- S.Tr : Vibration Polish or Zinc plated
- 使用：旋轉 Y 型螺桿，可調整至適當距離
- Operation : Suitable latching distance can be adjusted by rotating the Y type screw

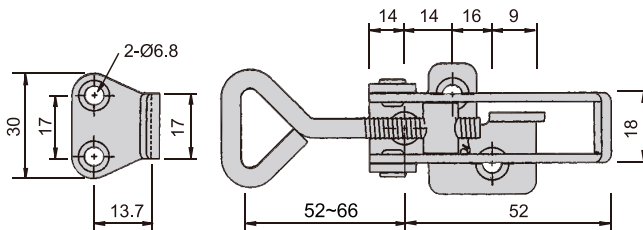
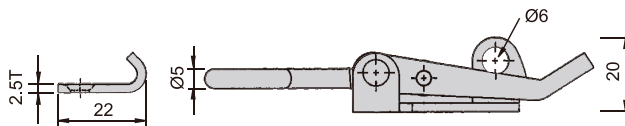


Unit:m/m

型號 Item No	材質 Material
TS-260	不銹鋼 304 Stainless steel304
TS-260-ST	鐵鍍鋅 Steel-zinc plated



TS-260

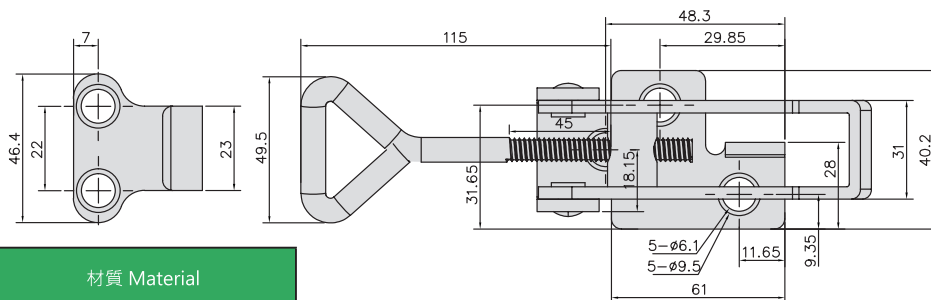
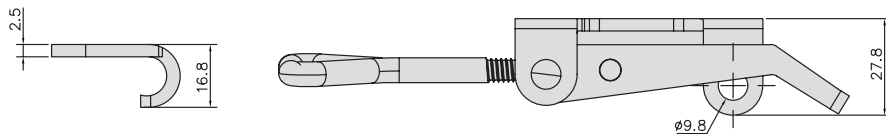


Unit:m/m

型號 Item No	材質 Material
TS-270	不銹鋼 304 Stainless steel304
TS-270-ST	鐵鍍鋅 Steel-zinc plated



TS-270



型號 Item No	材質 Material
TS-280	不銹鋼 304 Stainless steel304
TS-280-ST	鐵鍍鋅 Steel-zinc plated



TS-280

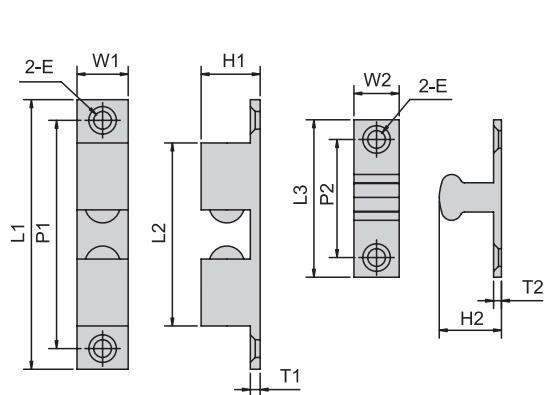
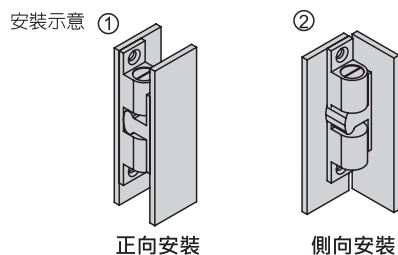
## 銅雙珠門擋 · 拉動開啟 · 推入鎖定

Copper Ball Latches · Push to Close

- 材質：銅
- Material : Copper
- 表面處理：原色
- S.Tr: Natural finish
- 可微調鋼珠夾持力
- With adjustable grip tightness



TK- 系列



型號 Item No.	L1	L2	L3	W1	W2	H1	H2	T1	T2	P1	P2	E	夾持 (kg)
TK-40	40	24	24	7.6	6.8	10	10	1.8	2	32	15	3.4	1
TK-44	44	27	26	8	6.8	10	10	2	2	35	15	3.4	1.5
TK-49	49	31	29	9	7.8	10.8	10.8	2	2	40	19.7	3.8	2
TK-60	60	36	35	11	9	13	13	2.2	2.2	50	24	4.6	2.5
TK-69	69	47	40	13	11.5	15	15	2.2	2.2	58	30	4.8	5

## 拉動開啟型 · 可調間距 · 附掛鎖座

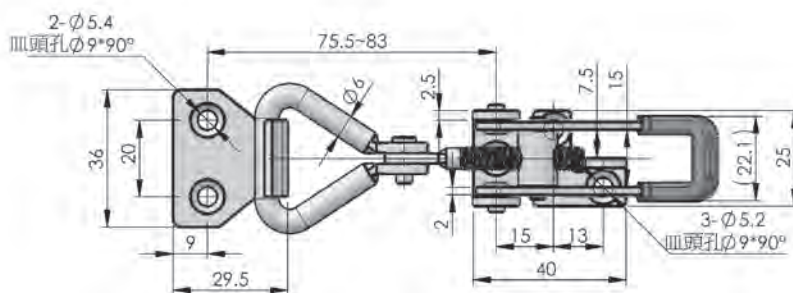
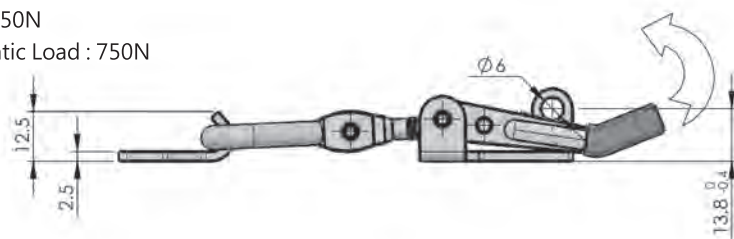
Draw Latch



- 材質：不銹鋼 316
- Material : Stainless Steel 316
- 最大靜載荷：750N
- Maximum Static Load : 750N



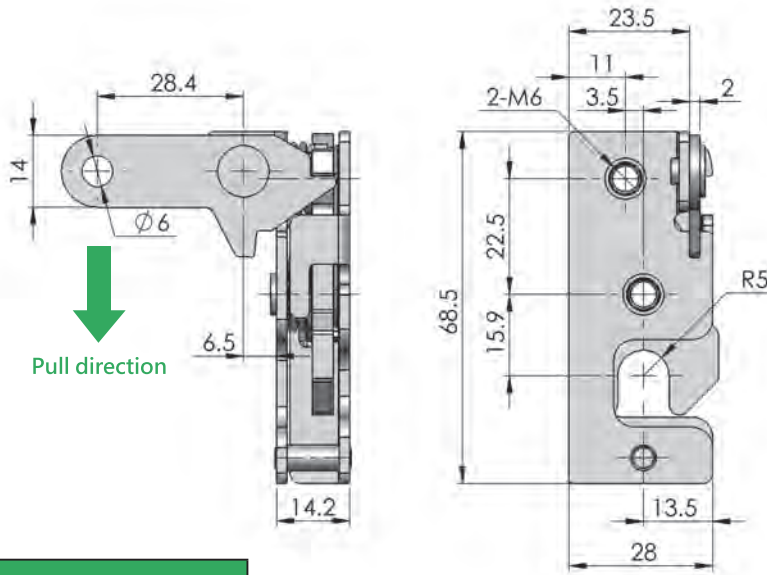
TS-614



# 拉動開啟型 · 搭扣 · 隱藏安裝

Draw Latch · Rotary · Concealed

- 材質：鐵製
- Material : Steel
- 表面處理：三價鋅
- S. Tr : Zinc Plated



型號 Item No	特徵描述 SPEC
TS-618-6L	左開門 For Left Opening
TS-618-6R	右開門 For Right Opening

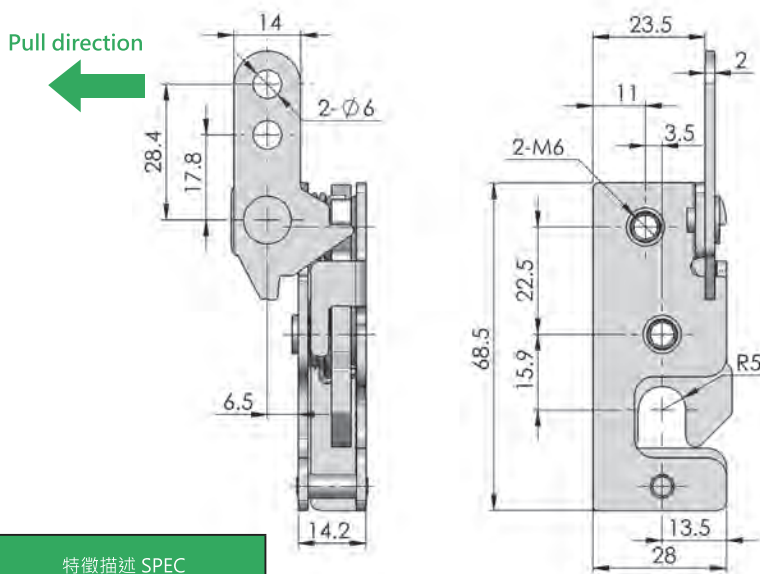
搭扣、門檔、  
磁鐵門吸

DRAW LATCHES



圖示為 TS-618-6L

- 材質：鐵製
- Material : Steel
- 表面處理：三價鋅
- S. Tr : Zinc Plated



型號 Item No	特徵描述 SPEC
TS-618-7L	左開門 For Left Opening
TS-618-7R	右開門 For Right Opening



圖示為 TS-618-7L

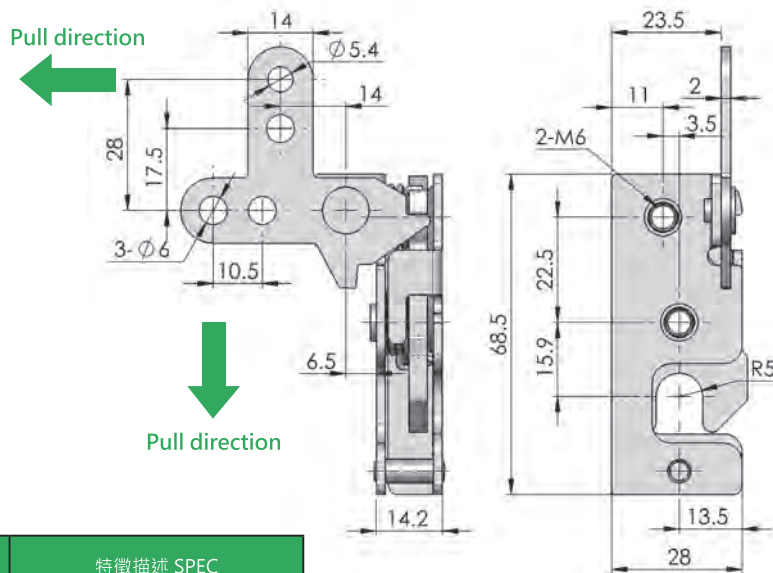
## 拉動開啟型 · 搭扣 · 隱藏安裝

Draw Latch · Rotary · Concealed



圖示為 TS-618-8L

- 材質：鐵製
- Material : Steel
- 表面處理：三價鋅
- S. Tr : Zinc Plated

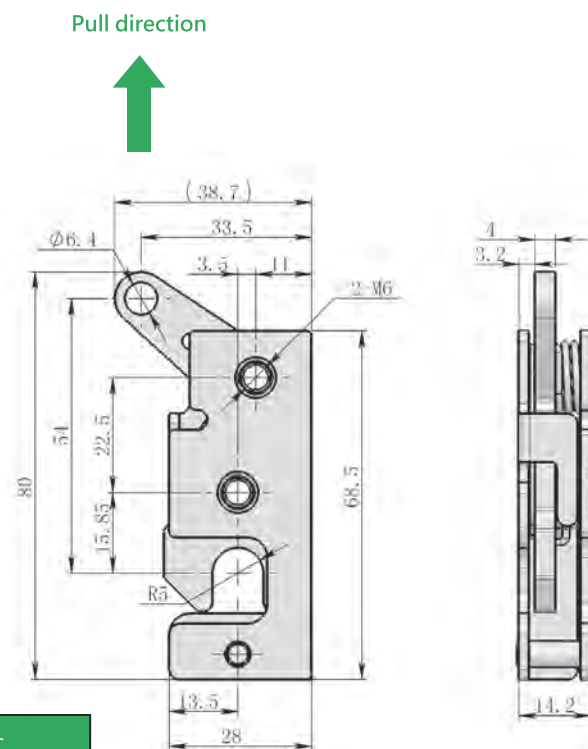


型號 Item No	特徵描述 SPEC
TS-618-8L	左開門 For Left Opening
TS-618-8R	右開門 For Right Opening



圖示為 TS-618-9R

- 材質：鐵製
- Material : Steel
- 表面處理：三價鋅
- S. Tr : Zinc Plated



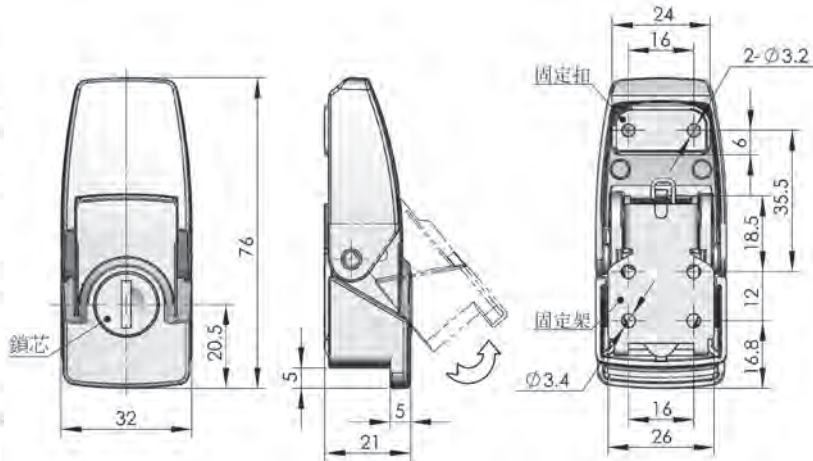
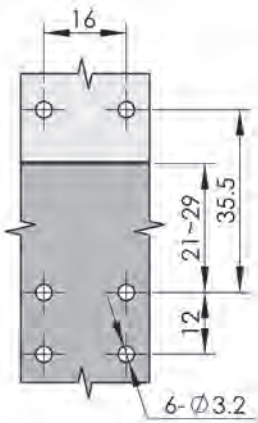
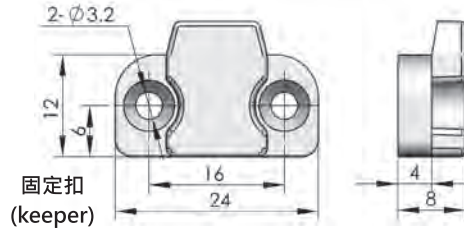
型號 Item No	特徵描述 SPEC
TS-618-9L	左開門 For Left Opening
TS-618-9R	右開門 For Right Opening

# 拉動型搭扣 · 鹽霧測試通過 240Hour

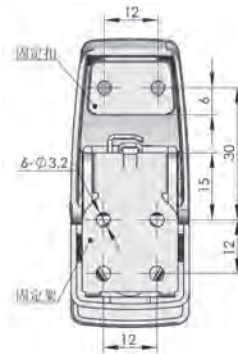
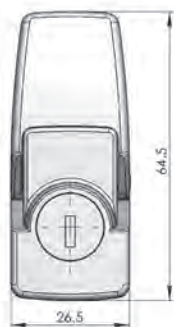
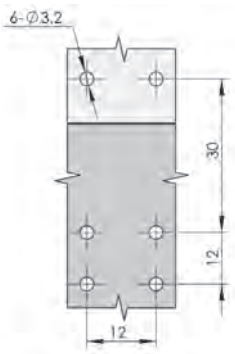
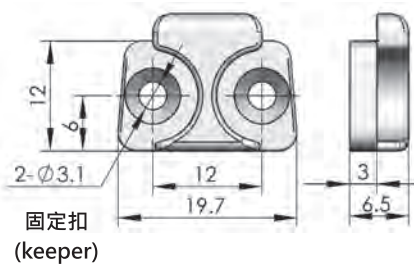


## Draw Latch

- 材質：鋅合金 · 不銹鋼固定架
- Material : Zinc Alloy · Stainless steel Mounting Plate
- 表面處理：電鍍亮鉻、黑色塗裝
- S.Tr : Bright chrome plated · Black powder coated
- 另有無鎖芯式供訂製
- Also available without lock
- 不受門板厚度及左右開門限制
- 使用 6 顆 M3 平頭螺絲安裝 (不提供)
- Install assembly with six M3 flat head screws(not supplied)
- 最大靜載荷：650N
- Maximum Static Load : 650N



開孔尺寸 Cut Out



開孔尺寸 Cut Out



DKS-1  
(CHROME)



DKS-2  
(BLACK)



DKS-3  
(CHROME)



DKS-4  
(BLACK)

## PP 門擋

### Door Stopper

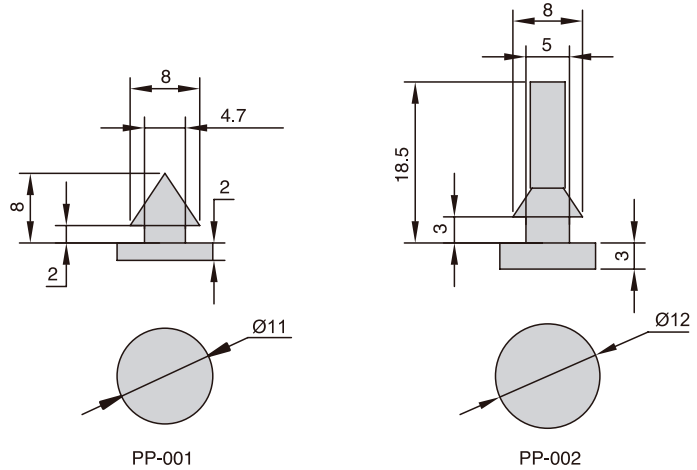
- 材質 : PP
- Material : PP
- 板件撞擊緩衝使用
- Use as impact buffer for metal plates



PP-001



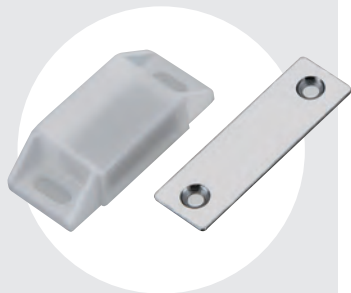
PP-002



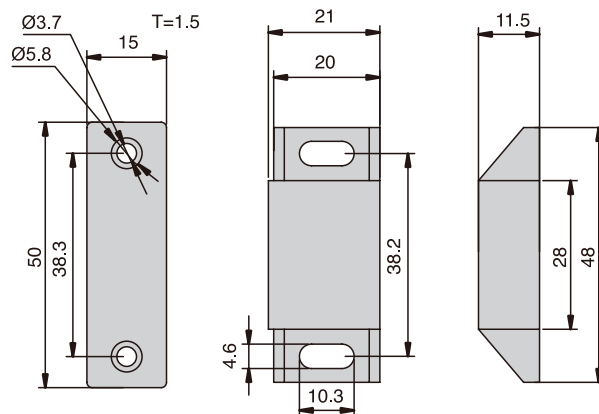
## 磁鐵門擋

### Magnetic catches

- 材質 : 主體 (POM)、吸附板 : 不銹鋼 430
- Material : Body (POM) 、Catch : SUS 430
- 防止粉塵發生、適用於無塵室環境或設備機台
- Prevents entry of dust, suitable for clean rooms environment or equipment



TK-4821



吸附力 Attract Strength : 3kgf

# 可調型自鎖搭扣

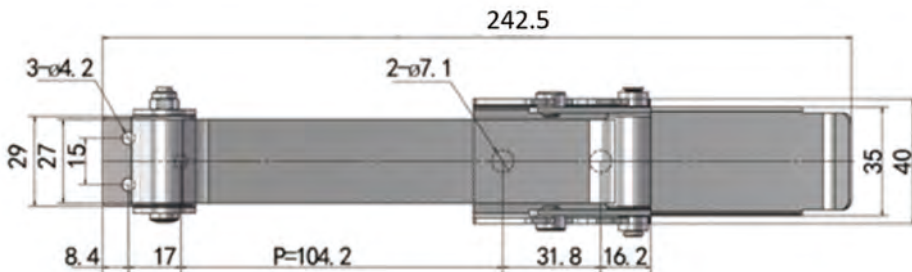
## Over Center Rubber Draw Latch



搭扣、門檔、  
磁鐵門吸

DRAW LATCHES

- 材質：複合橡膠及不鏽鋼
  - 特點：橡膠主體具有減震功能，可保持對連接物體的彈性預壓。具有迫緊壓縮功能
  - 耐溫：20° ~90°
  - 用途：車輛引擎蓋 / 機器外罩 / 震動型機械
- Material : EPDM & Stainless steel 304
  - Features : The rubber has a shock absorption function, which can maintain the elastic preload of the connecting object. Compression Latch
  - Temperature resistance : 20° ~90°
  - Application : Vehicle hood/machine cover/ vibration type machinery.



TS-611-S



型號 Item No	材質 Material	鎖緊力 Locking load			極限載荷 Ultimate load
		P	P+4	P+8	
TS-611-S	SUS304	100N	150N	200N	250N

## 防振直角迫緊型搭扣

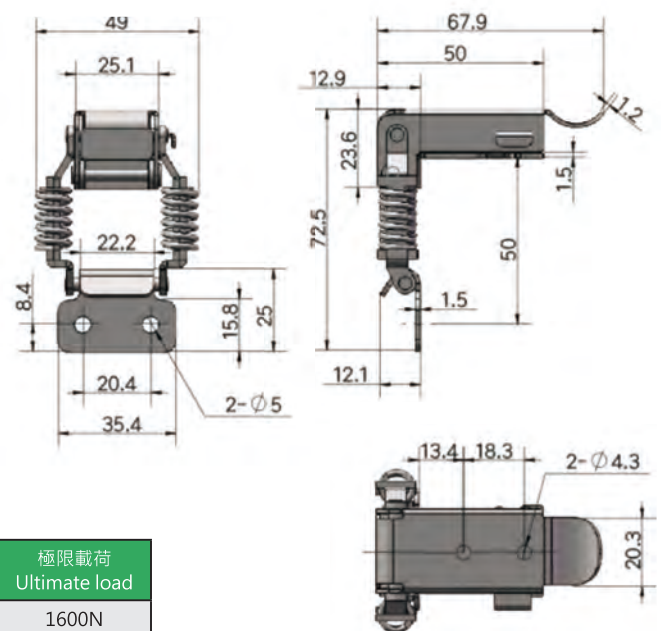
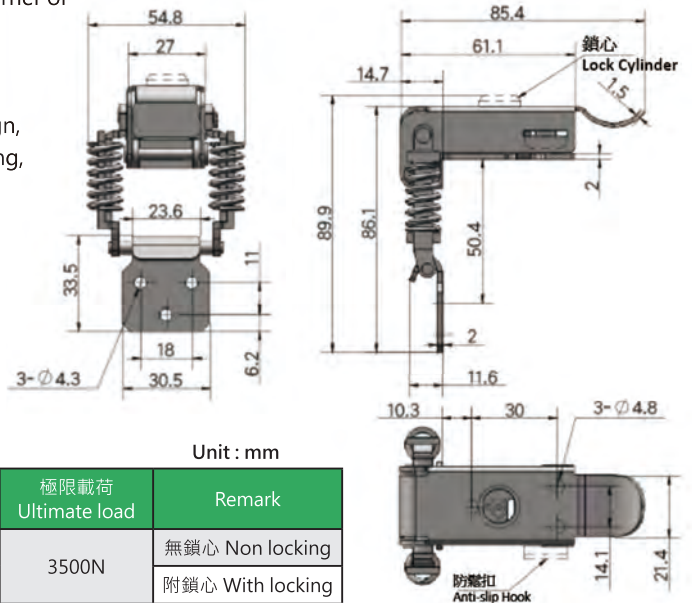
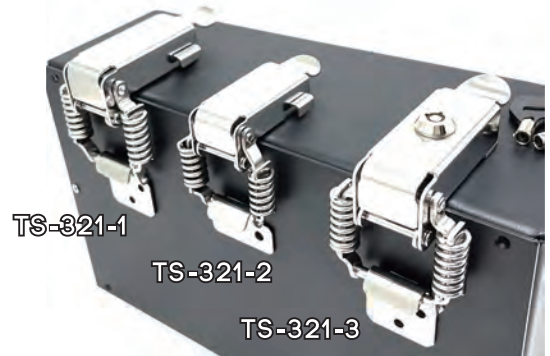
Adjustable Series Draw Latches With padlock hole



TS-321-1  
TS-321-2  
TS-321-3

- 材質：不鏽鋼 304 (SUS304)
- 表面處理：振動拋光
- 特點：可安裝於箱體轉角處，壓縮彈簧具有彈性預壓和減振功能
- 安全防鬆扣裝置可以避免因振動或人員造成的誤開啟，安全穩固
- 用途：自動化機械設備，振動型機械，壓縮機，及各式環境設備。

- Material: Stainless Steel 304
- Finish: Vibration Polish
- Features: Can be installed at the corner of the cabinet.
- compression spring inside, reduce vibration & apply
- Prepressing. Unique self-lock design, prevent the latch accidental opening, enhancing security.



型號 Item No	材質 Material	鎖緊力 Locking load	極限載荷 Ultimate load
TS-321-2	SUS304	400N	1600N



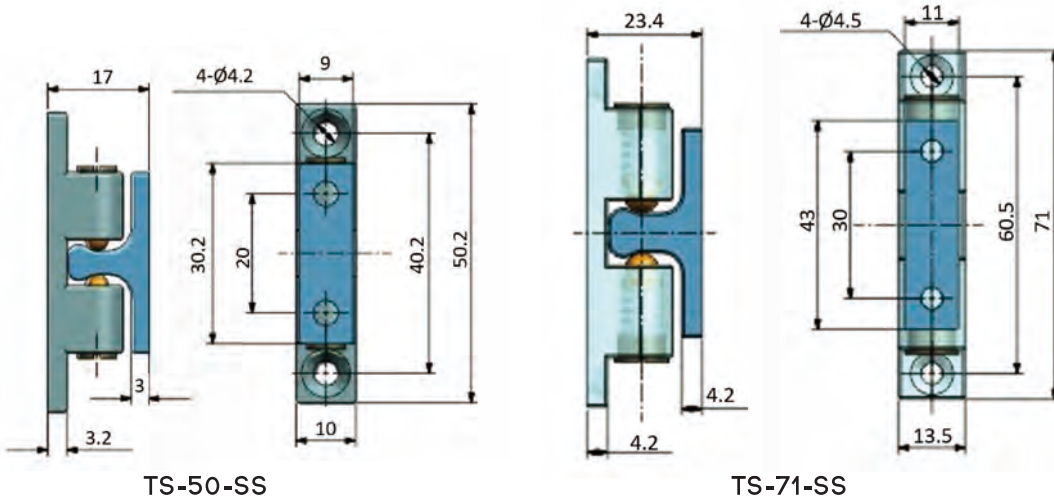
## 不鏽鋼雙珠門擋 · 撞擊關閉

SUS Ball Latches.Push To Close



- 材質：不鏽鋼 304
- 表面處理：鏡面拋光
- 最大靜載荷：30KG
- 適用於車輛，船舶設備及食品機械的門板固定可微調夾持力

- Material : Stainless Steel 304
- STr : Bright Polishing
- MAX Load weight : 30KG
- Used in Doors of Vehicle, Vessel, and other Equipment, etc.



搭扣、門檔、磁鐵門吸

DRAW LATCHES



TS-50-SS  
TS-71-SS

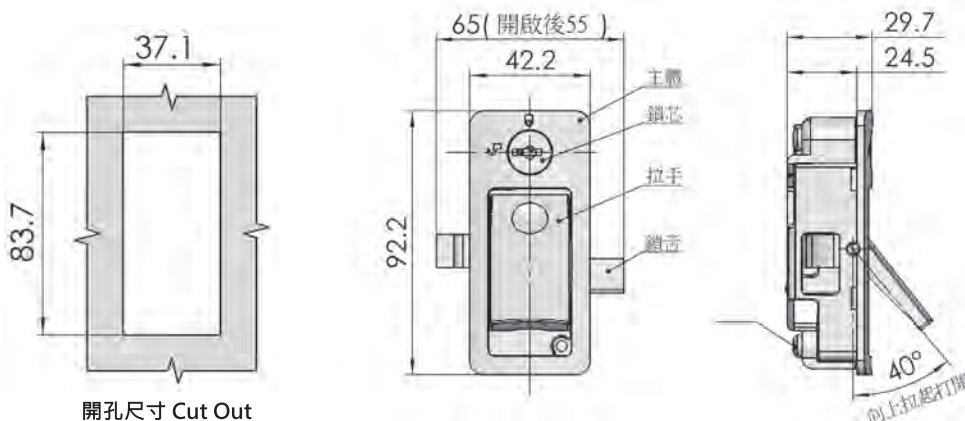


## 平面嵌入 · 按壓開啟 · 推入鎖定

LIFT-TO-OPEN. FLUSH. PUSH-TO-CLOSE LATCH



- 材質：主體、拉手 -ABS+PC · 鎖芯 -PC · 鎖舌 -ABS · 螺絲 - 不銹鋼
- Material : Body & Handle – ABS + PC, Lock Cylinder – PC, Cam – ABS, Screw – Stainless Steel
- 表面處理：本色 ( 黑 )
- S. Tr : Black (Natural Finish)
- 最大靜載荷：480N
- Maximum Static Load : 480N
- 標配 K164 鑰匙



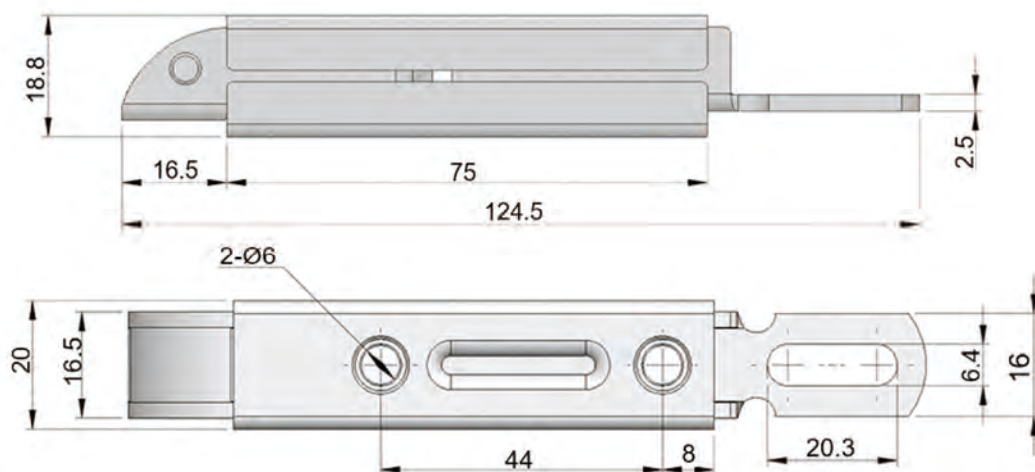
MS-725-8

## 門鎖 · 拉動式 · 撞擊關閉

Latches. Push to Close



- 材質 & 表面：鐵材質鍍鋅
- 最大靜載荷：320N
- 推回門板，門鎖前端圓弧斜面滑入門框，可自動形成鎖閉，狹窄空間也可安裝，減少干涉，亦可搭配連桿使用。
- Material & Surface : Steel & Zinc plated
- Maximum static load : 320N
- When push back the door, the Front slides into the door frame with the arc slope, which can automatically lock. It can also be installed in narrow spaces to reduce interference, and can also be used with connecting rods.



TS-633-3

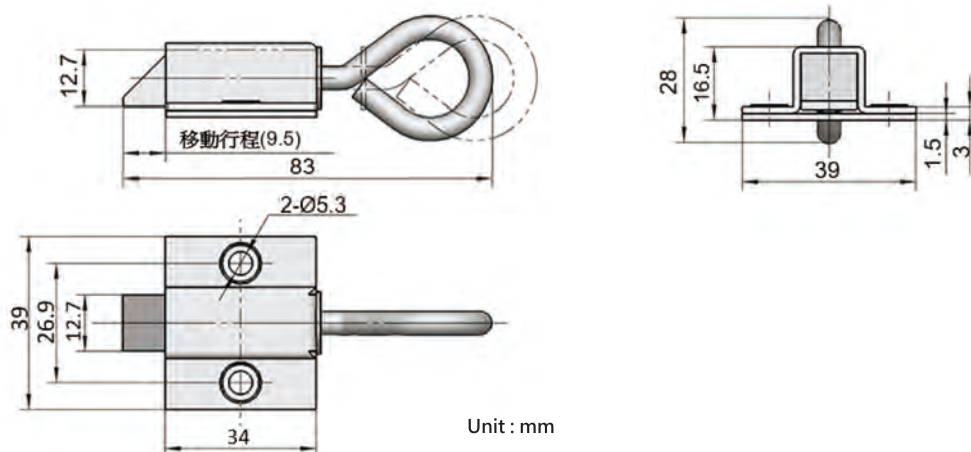


## 拉動型門鎖 · 撞擊關閉

Latches. Push to Close



- 材質 & 表面：鐵材質鍍鋅
- 最大靜載荷：250N
- 推回門板，門鎖前端圓弧斜面滑入門框，可自動形成鎖閉，狹窄空間也可安裝，減少干涉。
- Material & Surface : Steel & Zinc plated
- Maximum static load : 250N
- When push back the door, the Front slides into the door frame with the arc slope, which can automatically lock. It can also be installed in narrow spaces to reduce interference.



TS-6340

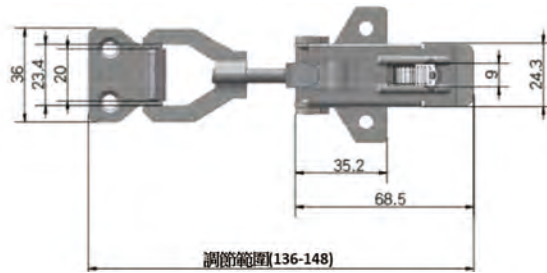


## 可調間距搭扣 · 拉動開啟 · 帶安全鈕

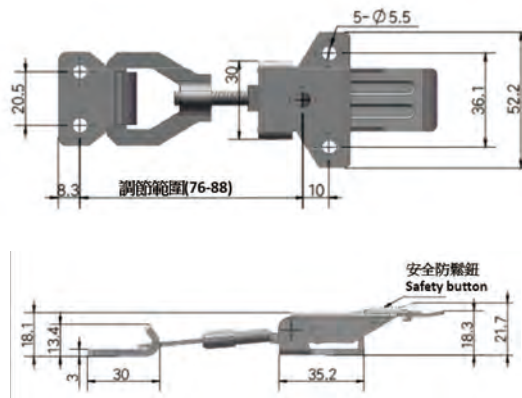
Adjustable Draw Latch. Pull to Open. Safety Button



- 材質：不鏽鋼 (SUS304)
- 表面處理：震動研磨  
鎖緊力：400N
- 極限載荷：3.5KN
- 特點：旋轉 Y 型螺桿可調節距離改變鎖緊力，拉手柄帶安全防鬆鈕結構，自鎖結構防止誤開啟，鎖緊强度高，可重承載。
- 用途：車輛 / 醫療機械 / 工程機械



- Material : Stainless Steel (SUS304)
- S.Tr : vibration grinding
- Locking force : 400N
- Ultimate load : 3.5KN
- Features : Rotating the Y-shaped screw can adjust the distance to change the locking force the pull handle has a safety anti-loosening button structure, the self-locking structure prevents accidental opening, the locking strength is high, and it can be heavy-loaded.
- Application : Vehicle/Medical Machinery/ Construction Machinery



## 搭扣、門檔、磁鐵門吸

DRAW LATCHES



TS-922-SS

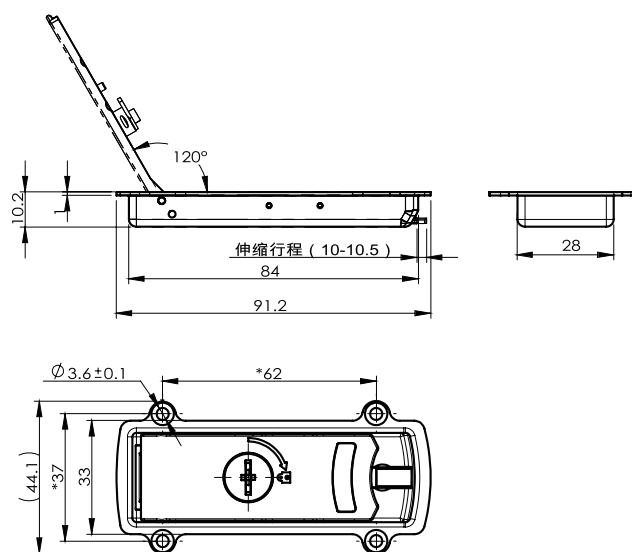


## 伺服器上蓋搭扣 · 滑動助開器

Sliding Cover Latch. Use for SERVER



- 材質：手柄 & 滑塊 - 鋅合金；底座 - 鐵鍍鋅。
- 手柄開啟到 120 度限位
- 手柄與滑塊直接接觸 · 傳動結構高效用滑塊將卡簧壓在底部 · 方便裝配搭扣整體厚度比一般標準品約薄 3~4mm · 為機箱內部提供更大的使用空間
- 專利產品



- Material: Handle & Slider - Zinc Alloy ;
- Base - steel .
- Handle opened to the 120 degree limit. The handle is in direct contact with the slider, and the transmission structure is efficient. Use the slider to press the circlip to the bottom for easy assembly. The Latch overall thickness is about 3~4mm thinner than the general standard product. Provide more space for use inside the chassis.
- Patented



YSB-0210-2



## 拉動型橡膠搭扣 · 減振 & 壓縮

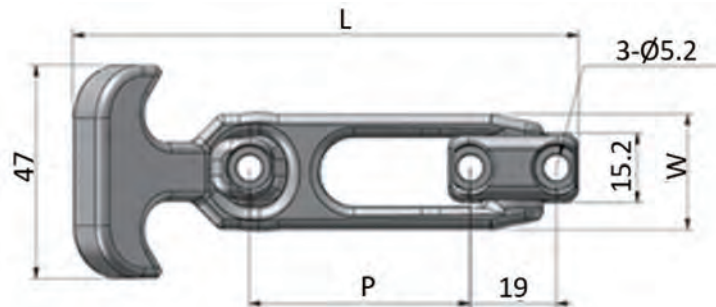
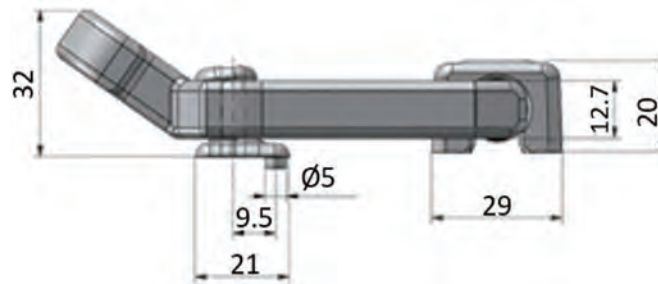
Flexible.Over-center.Draw Latch. Shock Absorbing Compression



TS-610 SERIES



- 材質：複合橡膠；  
固定座：尼龍 + 玻纖 (PA+GF30%)
- 複合橡膠主體具有減振功能，可保持對連接體的彈性預壓，T型手柄開閉省力，外型美觀，符合人體工學。安全圓滑設計，吸震，軟性材質可彌補安裝孔錯位誤差不導電、抗紫外線、能吸收振動，使物件消除振動噪音並提高穩定度。
- 適用於工具箱 / 工程機械罩 / 農用機械 / 露營車內裝
- Material : Composite rubber ;  
Fixed bracket: PA+GF30%.
- The composite rubber body has shock absorption function, which can maintain the elastic preload of the connecting body. The T-shaped handle is labor-saving to open and close, beautiful in appearance and ergonomic. Safe and sleek design, absorbing impact force, soft material can compensate for the misalignment of mounting holes
- Suitable for tool box/construction machinery cover/agricultural machinery/RV Camper Interior.



Unit : mm

型號 Item No	材質 Material	L	W	P	鎖緊力 Locking load			極限載荷 Ultimate load
TS-610-1	橡膠	110	25	43	P	P+4	P+8	300N
					50N	90N	130N	
TS-610-2					160	32	65	
TS-610-3		200	32	106	95N	120N	160N	

# 重承載型不鏽鋼箱扣

## Heavy Duty Toggle Latches. Large



搭扣、門檔、  
磁鐵門吸

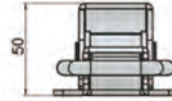
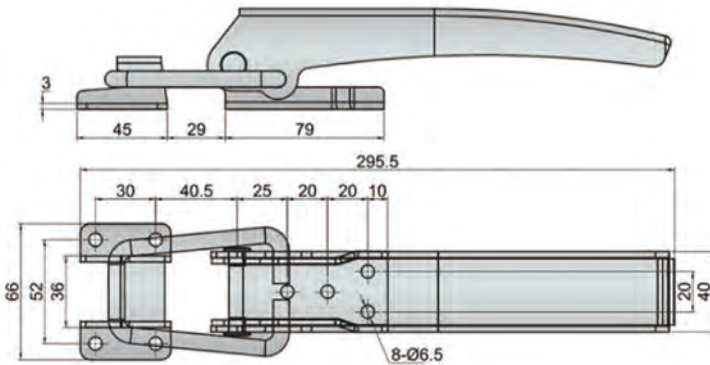
DRAW LATCHES

- 材質：不鏽鋼 304(SUS304)
- 表面處理：拋光
- 鎖緊力：2000N
- 極限載荷：6000N
- 特點：重承載，鎖緊力度強大，重型門板設備關閉解決方案。
- 用途：工程機械 / 冷凍櫃 / 大型烘烤箱

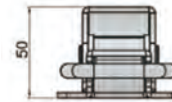
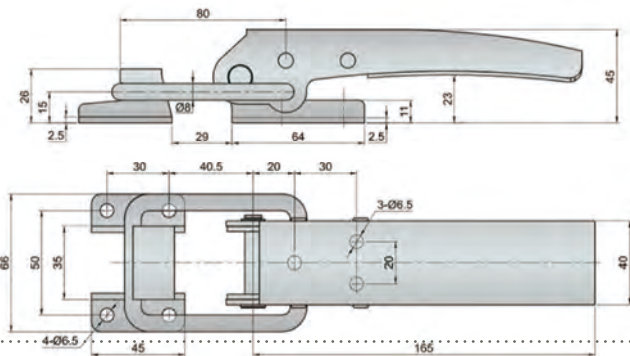
- Material : Stainless Steel 304
- Finis h: Polish
- Locking load : 2000N
- Ultimate load : 6000N
- Features : Heavy load, strong locking force, closing solution for heavy door panel equipment.
- Application: construction machinery/freezer/large oven



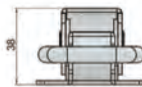
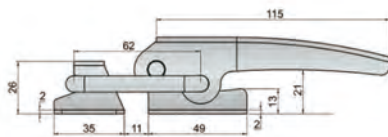
TS-166-1-SS  
TS-166-2-SS  
TS-166-3-SS



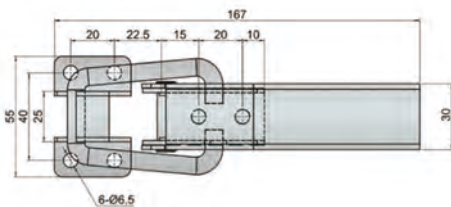
TS-166-1-SS



TS-166-2-SS



TS-166-3-SS





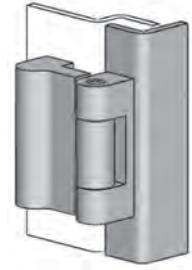




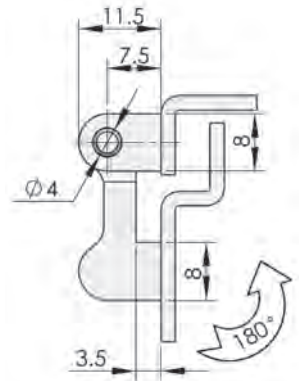
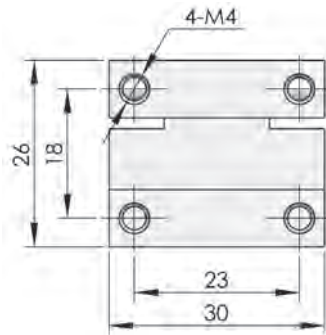
## 小型・鋅合金

### Small type · Zinc Alloy Hinge

- 材質：鋅合金
- Material: Zinc Alloy
- 表面處理：黑色塗裝
- S.Tr: Black powder coated
- 可訂製亞光銀色表面處理
- 徑向載荷：1150N
- Radial Load : 1150N
- 軸向載荷：700N
- Axial Load : 700N



CL-213



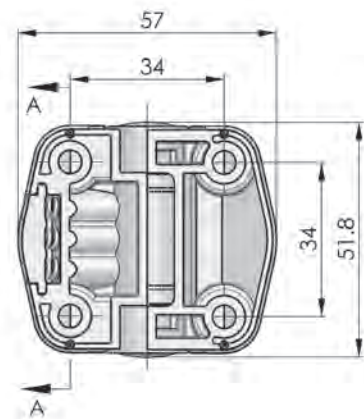
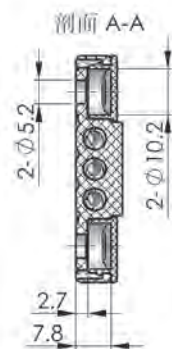
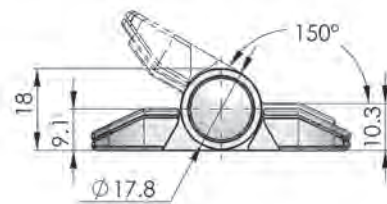
## 定位鉸鏈

### Position control hinge

- 材質：POM 黑色
- Material : POM(Black)
- 可定位角度為 150°和 180°
- Opening angle fixed at 150° and 180°
- 使門板保持打開角度，不需附加其他零件支撐



CL-195

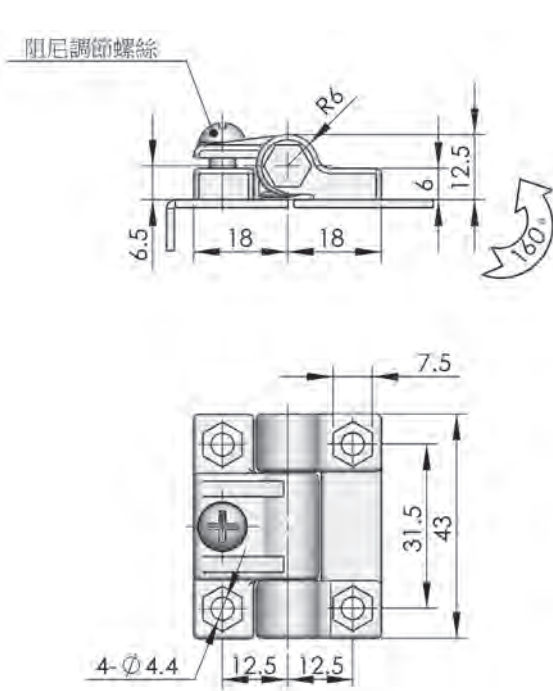


# 阻尼鉸鏈 · 可調扭矩

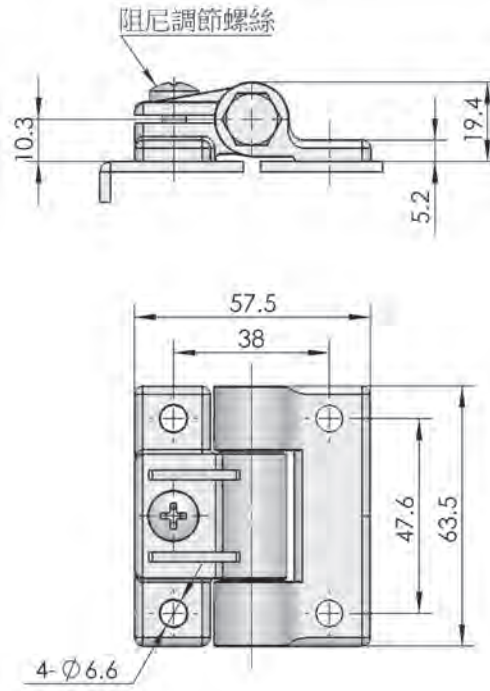
Adjustable · Torque Position Control Hinge



- 材質：塑鋼，轉軸：PC（聚碳酸脂）  
Material: POM、PIN: PC
- 以螺絲起子調整阻尼力。  
Torque strength is adjusted by screwdriver



CL-272  
最大工作力矩：0.7N.m  
Maximum Working Torque: 0.7N.m



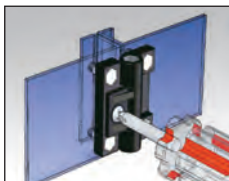
CL-272-2  
最大工作力矩：2.5N.m  
Maximum Working Torque: 2.5N.m



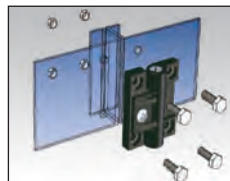
CL-272



CL-272-2



扭矩調整



安裝

# 阻尼型鉸鏈 · 定位控制 · 恆定扭矩



## Constant Torque Position Control Hinge

PAT NO.M359579

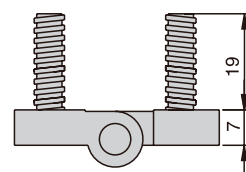
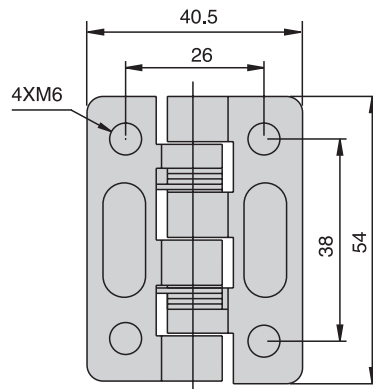


CL-209-1R( 螺柱型 )

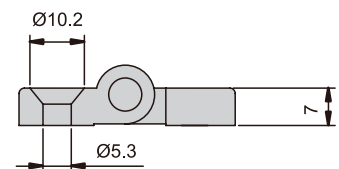
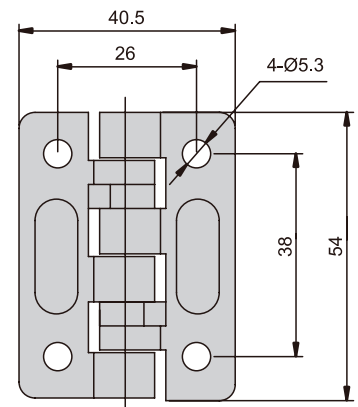


CL-209-2R( 皿頭孔型 )

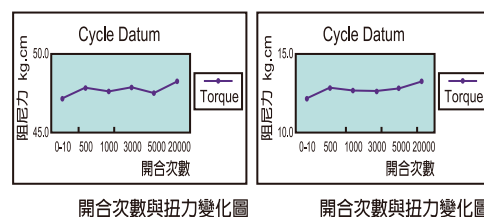
- 定位控制 · 恆定扭矩
- 材質：主體 - 鋅合金、插銷 - 不銹鋼
- Material: Body-Zinc alloy、Pin-Stainless Steel
- 表面處理：黑色塗裝
- S.Tr: Black powder coated
- 恆定扭力：在所有位置都能保持定位 (0~150 度)
- Invariable resistance torque
- 適用於電腦設備、測試設備 通訊設備、戶外箱體等
- Application for IT equipment, test equipment, telecommunication equipment, outdoor cabinet
- 可訂製扭力範圍 (12kg/cm ~ 47kg/cm)
- Available in different torque strength within the range of 12kg/cm ~ 47kg/cm
- 使用壽命性能：可循環超過 20000 次
- Product Life: 20,000 cycles



CL-209-1R  
螺柱型 Thread-stud Type



CL-209-2R  
皿頭孔型 Countersunk Type



開合次數與扭力變化圖

開合次數與扭力變化圖

Unit : mm

型號 Item No	類型 Type	扭力數值 Torque
CL-209-1R-L	螺柱型 Thread-stud	47 kg.cm ± 15%
CL-209-2R-L	皿頭孔型 Countersunk	
CL-209-1R-S	螺柱型 Thread-stud	12 kg .cm ± 15%
CL-209-2R-S	皿頭孔型 Conutersunk	
CL-209-2R-M20	皿頭孔型 Conutersunk	20 kg .cm ± 15%
CL-209-2R-M30	皿頭孔型 Conutersunk	30 kg .cm ± 15%

# 外部安裝

## Visible Hinge

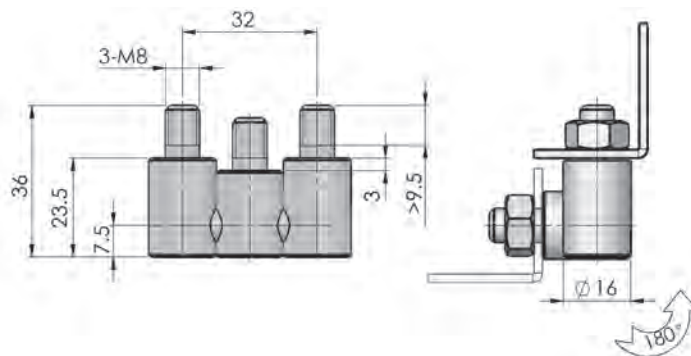
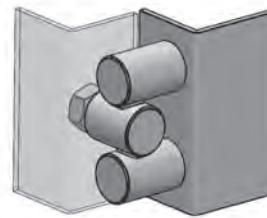


# 鉸鏈

## HINGES

### 轉角固定 Corner mount Hinge

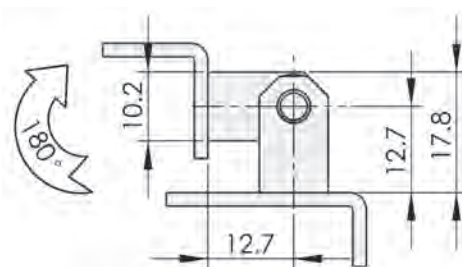
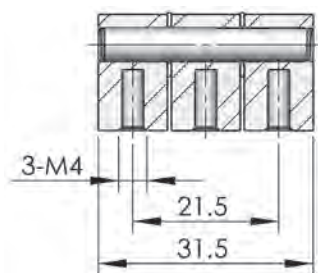
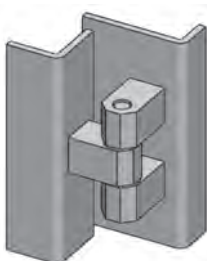
- 材質：不銹鋼 316
- 表面處理：鏡面拋光
- 可開啟角度 180°
- 徑向載荷：1500N
- 軸向載荷：2000N
- Material : Stainless Steel 316
- S. Tr : Polished Finish
- Opening Angle 180°
- Radial Load : 1500N
- Axial Load : 2000N



CL-206-12

### 轉角固定 Corner mount Hinge

- 材質：鉸鏈 - 鋅合金 · 銷子 - 鐵製
- Material: Hinge – Zinc Alloy, Pin – Steel
- 可開啟角度 180°
- 徑向載荷：1200N
- 軸向載荷：1000N
- Opening Angle 180°
- Radial Load : 1200N
- Axial Load : 1000N



CL-206-14B

型號 Item No	顏色 Color
CL-206-14A	鍍亮光鉻 Chrome
CL-206-14B	黑色 Black



## 阻尼型鉸鏈 · 隨意停 · 恆定扭矩

### Damping Hinge. Constant Torque

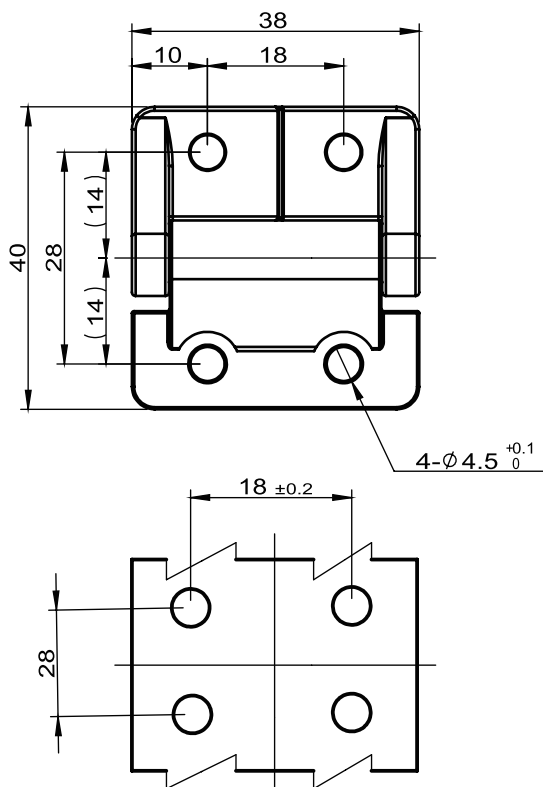


CL-153-42-XXA  
(SILVER) 霧銀烤漆

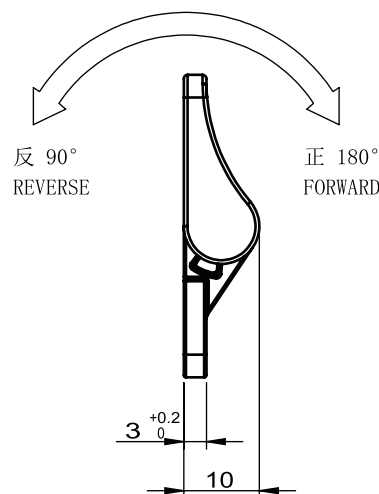


CL-153-42-XXB  
(BLACK) 黑色烤漆

- 材質：鋅合金
- Material : zinc alloy
- 開啟角度：180°
- Opening angle : 180°
- 表面處理：銀色塗裝或黑色塗裝
- Surface treatment : silver coating or black coating
- 阻尼值：0.9/ 1.4/ 1.8/ 2.3/ 3.4 N.m 衰減偏差 ±20%
- Damping value : 0.9/ 1.4/ 1.8/ 2.3/ 3.4 N.m Attenuation deviation ±20%
- 使用壽命：可循環超過 20000 次
- Life cycle : more than 20,000 times
- 配置阻尼套件於插銷中，有恆定阻力可使門板固定於任意角度。適用於室內
- The hinge is an open hinge ( damping type ) suitable for indoor use



開孔尺寸 Cut Out



Unit : mm

型號 Item No.	霧銀烤漆 Silver paint		
CL-153-42-09A	扭力 Torque	0.9	N/m
CL-153-42-14A	扭力 Torque	1.4	N/m
CL-153-42-18A	扭力 Torque	1.8	N/m
CL-153-42-23A	扭力 Torque	2.3	N/m
CL-153-42-34A	扭力 Torque	3.4	N/m

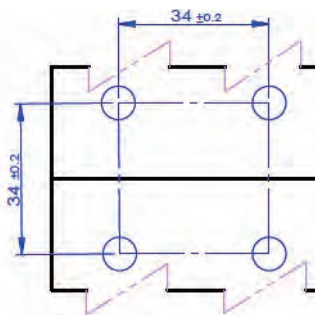
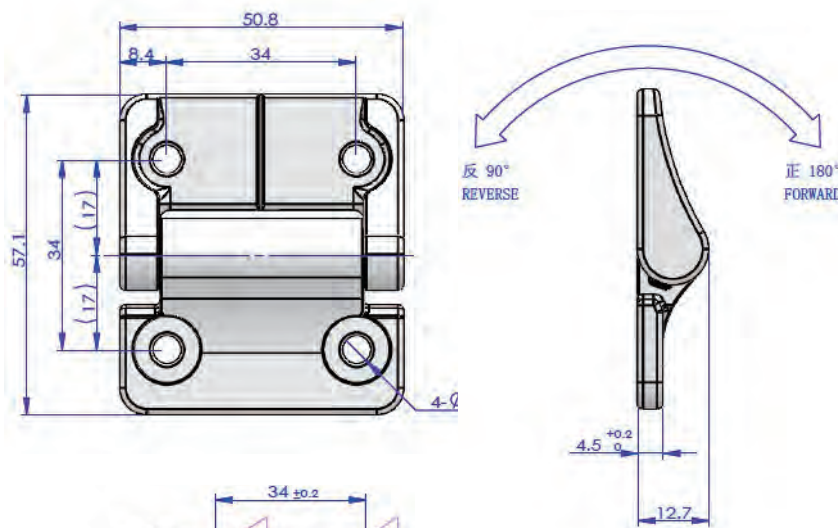
型號 Item No.	黑色烤漆 Black paint		
CL-153-42-09B	扭力 Torque	0.9	N/m
CL-153-42-14B	扭力 Torque	1.4	N/m
CL-153-42-18B	扭力 Torque	1.8	N/m
CL-153-42-23B	扭力 Torque	2.3	N/m
CL-153-42-34B	扭力 Torque	3.4	N/m

# 阻尼鉸鏈 · 任意角度停止 · 恆定扭矩

Damping hinge. Stop at any angle. Constant torque



- 材質：鋅合金鉸鏈，不銹鋼 - 插銷
- Material : zinc alloy hinge, stainless steel pin
- 開啟角度：180°
- Opening angle : 180°
- 表面處理：銀色塗裝或黑色塗裝
- Surface treatment: silver paint or black paint
- 徑向最大靜載：2000N
- Radial load : 2000N
- 軸向最大靜載：870N
- Axial load : 870N
- 阻尼值：1.4/1.8/2.3/3.4±20%N.m
- Damping value: 1.4/1.8/2.3/3.4±20%N.m
- 使用壽命：可循環超過 30000 次
- Product Life : 30000 cycles
- 適用環境：配置阻尼套件於插銷中，有恆定阻力可使門板固定於任意角度。適用於室內
- Applicable environment: The hinge is an open hinge ( damping type ) suitable for indoor use



開孔尺寸 Cut Out

Unit : mm

型號 Item No.	霧銀烤漆 Silver paint			型號 Item No.	黑色烤漆 Black paint		
CL-153-14	扭力 Torque	1.4	N/m	CL-153-14B	扭力 Torque	1.4	N/m
CL-153-18	扭力 Torque	1.8	N/m	CL-153-18B	扭力 Torque	1.8	N/m
CL-153-23	扭力 Torque	2.3	N/m	CL-153-23B	扭力 Torque	2.3	N/m
CL-153-34	扭力 Torque	3.4	N/m	CL-153-34B	扭力 Torque	3.4	N/m

鉸鏈

HINGES



CL-153 (SILVER)



CL-153-XXB (BLACK)



## 阻尼型鉸鏈 · 定位控制 · 恆定扭矩

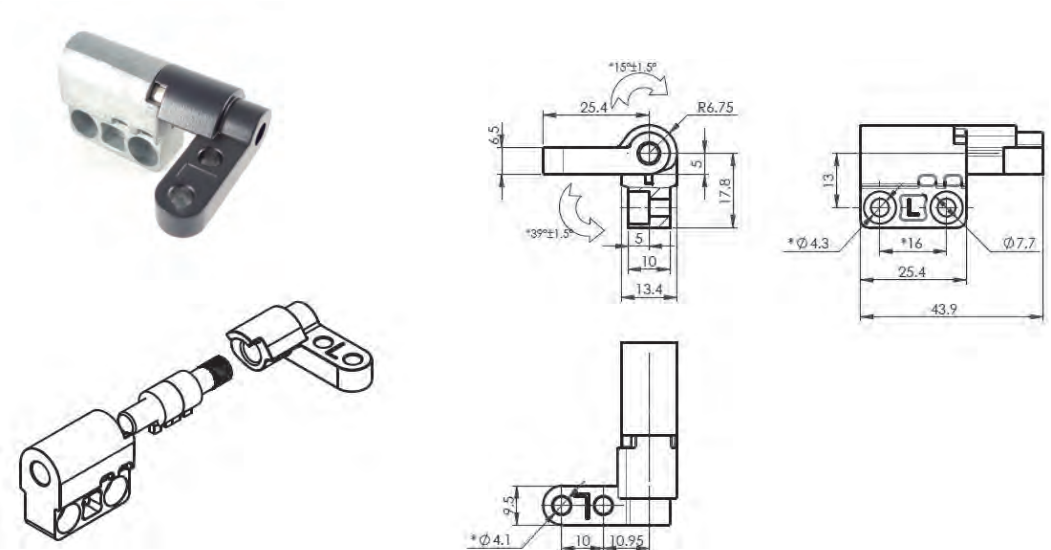
### Constant Torque Position Control Hinge



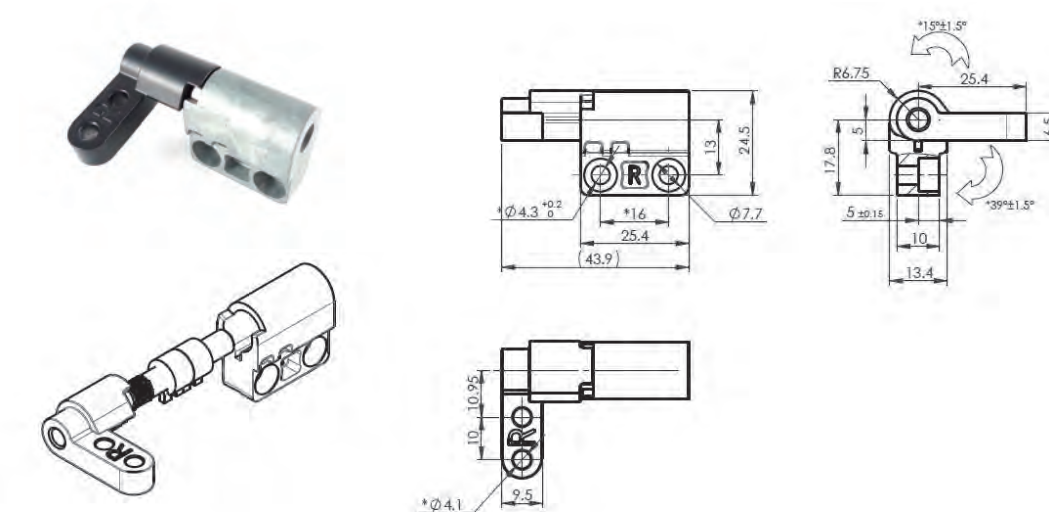
CL-239-4L  
左 Left



CL-239-4R  
右 Right

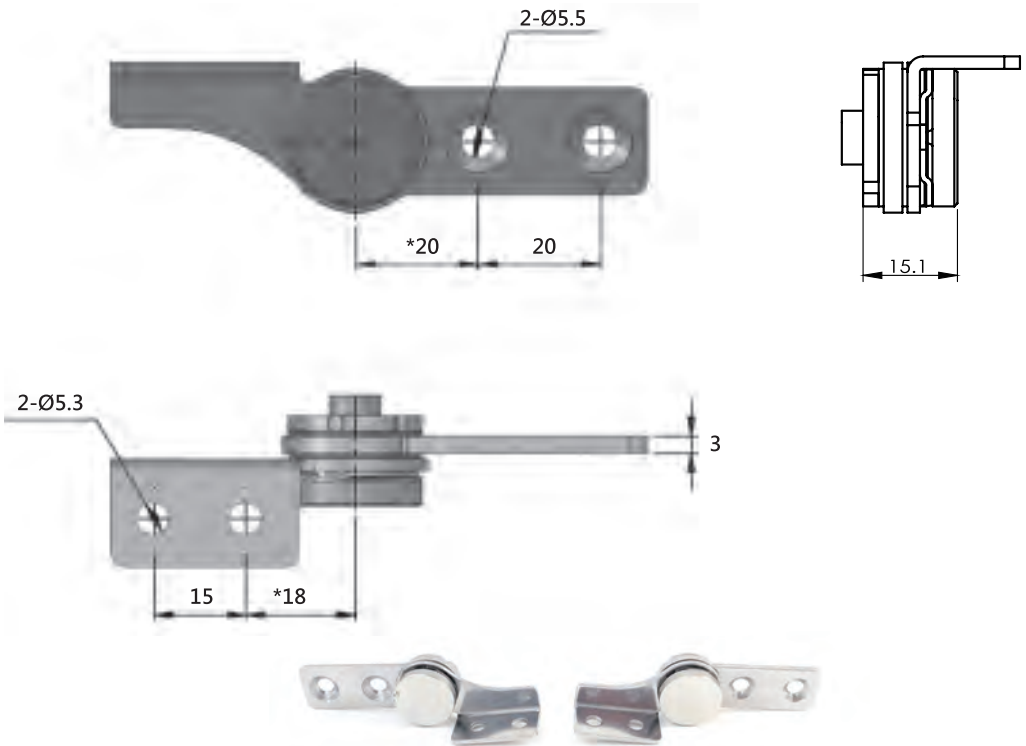


- 材質：鋅合金鉸鏈 · 不銹鋼 - 插銷
- 開啟角度： $54^\circ$
- 表面處理：黑色塗裝
- 徑向最大靜載荷：900N
- 軸向最大靜載荷：1500N
- 阻尼值： $2.6 \pm 20\% \text{N.m}$
- 使用壽命性能：可循環超過 30,000 次
- 適用環境：配置阻尼套件於插銷中，有恆定阻力可使門板固定於任意角度。適用於室內
- Feature Description :  
Material: zinc alloy hinge, stainless steel pin
- Opening angle:  $54^\circ$
- Surface treatment: black paint
- Performance parameters :  
Transverse maximum static load: 900N ·  
Longitudinal maximum static load: 1500N,
- Damping value:  $2.6 \pm 20\% \text{N.m}$
- Product Life: 30,000 cycles
- The hinge is an open hinge ( damping type ) suitable for indoor use



# 阻尼型鉸鏈 · 定位控制 · 恆定扭矩

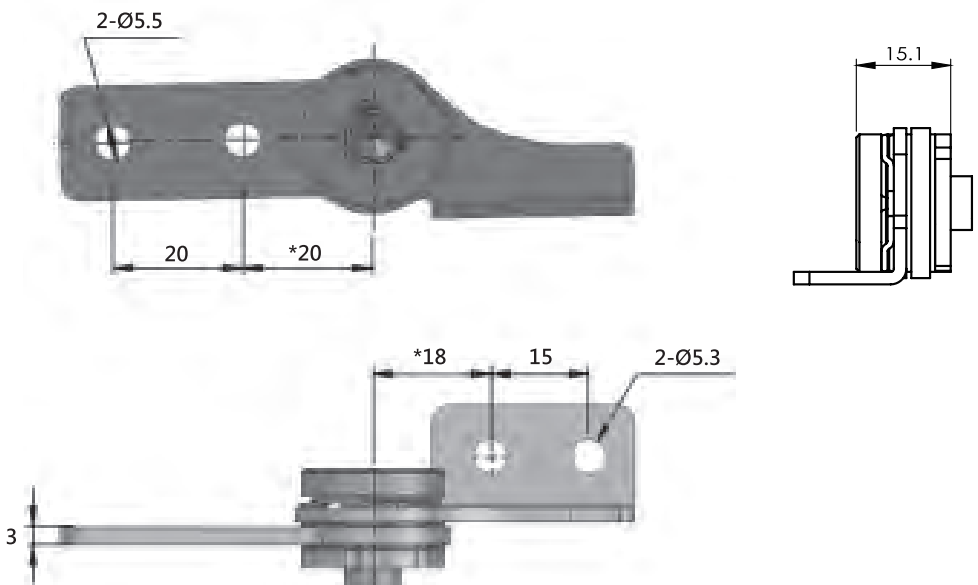
## Constant Torque Position Control Hinge



- 材質：鉸鏈片 -SUS430，轉軸 -SUS304.
- 表面處理：電解
- 可開啟角度：270 度 .
- 徑向載荷：100N，軸向載荷：300N
- 阻尼扭力值：4.5N.m+/-20%
- Material: hinge - SUS430, shaft - SUS304.
- Surface treatment: electrolysis
- Maximun opening angle: 270 degrees.
- Radial load: 100N, axial load: 300N
- Damping torque value: 4.5N.m+/-20%



CL-334-L  
左 Left



CL-334-R  
右 Right

## 不鏽鋼扭矩鉸鏈

### Torque Hinge.Stainless Steel



- 材質：主體 - 不鏽鋼 304(SUS304)
- 表面處理：震動拋光
- 開啟角度：0~270 度
- 用途：工業箱櫃、電力櫃、食品機械及醫療設備門蓋板
- 特點：任意停扭矩，開合範圍內任意角度皆可定位停止，通過 2 萬次開關測試，不鏽鋼材質特別適合應用於潮濕及高溫環境安裝孔距亦適合安裝在鋁擠型設備門板框架



- Material : main body - Stainless Steel 304
- S.Tr : Vibration Polish
- Opening angle : 0~270°
- Application : industrial cabinets, power cabinets, food machinery and medical equipment door panel.
- Features : Arbitrary stop torque, can be positioned and stopped at any angle within the opening and closing range,Passed 20,000 lift cycle test,  
Stainless steel is especially suitable for use in humid and high temperature environments.  
Installation hole spacing is also suitable for installation on aluminum extrusion equipment door frame.



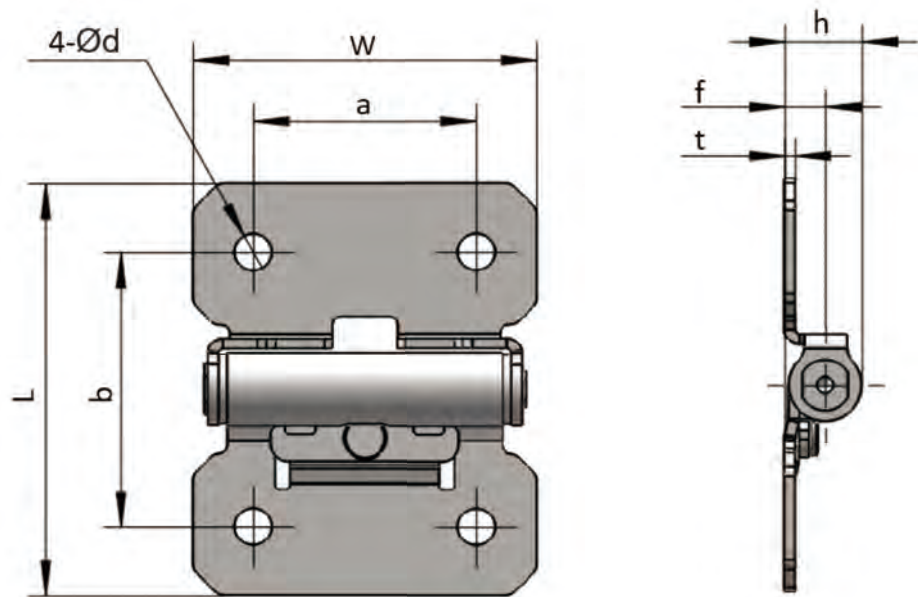
CL-102-1



CL-102-2



CL-102-3



Unit : mm

型號 Item No	材質	扭矩	a	b	W	d	L	f	h	t
CL-102-1	SUS304	0.35N.m +/-20%	18	21.5	32	4.3	36	36	4.25	1.2
CL-102-2	SUS304	0.7N.m +/-20%	26	32	40	4.3	48	48	4.75	1.2
CL-102-3	SUS304	1.5N.m +/-20%	36	32	50	4.3	48	48	6.5	2

## 隱藏式阻尼鉸鏈 · 恆定扭矩 · 不鏽鋼

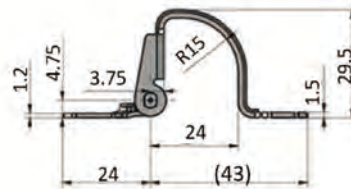
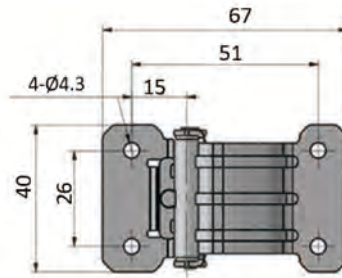
Concealed Damped Hinges. Constant Torque. Stainless Steel



- 材質：不鏽鋼 304 (SUS304)
- \* 表面處理：震動研磨
- \* 開啟角度：180°
- \* 特點：內部隱藏安裝，鉸鏈開合範圍內皆可停止。
- \* 使用壽命性能：可循環超過 20,000 次

- Material: Stainless Steel 304
- \*Finish: Vibration grinding
- \*Opening angle: 180°
- \*Product Life: 20,000 cycles
- \*Features: Hidden and installed inside the box, and the hinge can be stopped within the opening and closing range.

型號 Item No	扭力值 Torque
CL-103-1	0.35N.m
CL-103-2	0.7N.m



CL-103-1  
CL-103-2



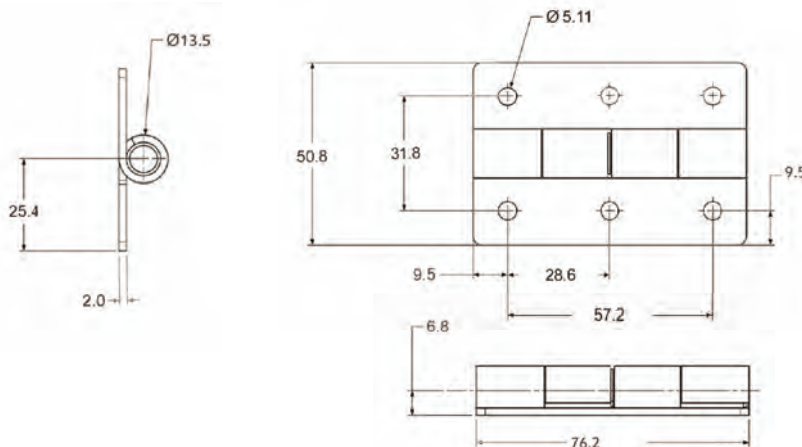
## 高扭力阻尼鉸鏈 · 任意角度停止 · 恆定扭矩

Damping hinge. Constant torque



- 材質：鐵, carbon steel
- 開啟角度：270°
- 表面處理：無電解鍍
- 阻尼值：100(Kg-cm)±20% / 10.2(N.m) ±20%
- 使用壽命：可循環超過 20000 次
- 適用環境：配置阻尼套件於插銷中，有恆定阻力可使門板固定於任意角度。適用於室內
- 大扭力設計，應用於較重及力矩較長的門蓋板，節省安裝鉸鏈數量

- Material : Carbon Steel
- Opening angle : 270°
- Surface treatment : E-nickel
- Damping value : 100(Kg-cm)±20% / 10.2(N.m) ±20%
- Product Life : 20000 cycles
- Applicable environment :The hinge is an open hinge ( damping type ) suitable for indoor use
- Large-torque design, suitable for heavier and longer-torque door covers, reducing the quantity of hinges used, and reducing the cost of parts.



CL-5176-100

## 限位鉸鏈 · 可調整扭力

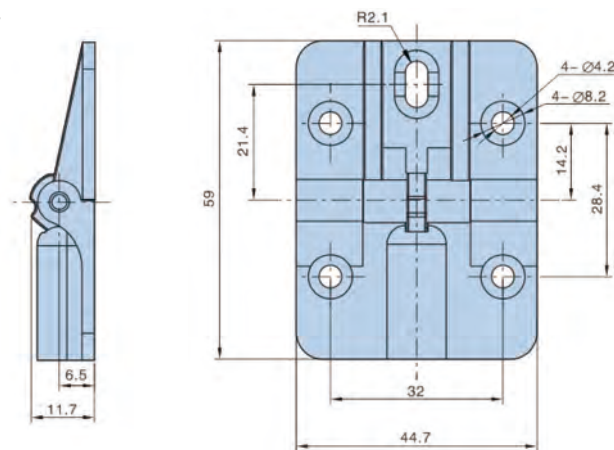
Damping positioning hinge. Adjustable torque



CL-56

- 材質：鋅合金，不鏽鋼轉軸
- 表面處理：鍍亮鉻
- 可 90°或 180°定位  
可使用六角板手調整適當限位扭力

- Material : zinc alloy hinge ,Stainless steel pin
- S.Tr : bright chrome plating
- Can be positioned at 90° or 180°  
can use hex key wrench to adjust the appropriate limit torque



Unit : mm



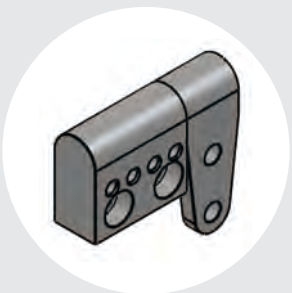
## 阻尼定位控制 · 恆定扭矩鉸鏈

Damping Hinge.Position Control

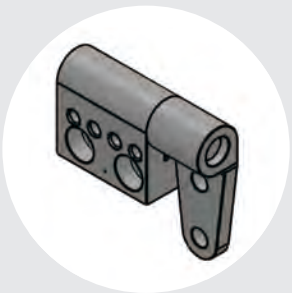


- 材質：鋅合金鉸鏈
- 可開啟角度：180 度
- 徑向載荷：100N
- 軸向載荷：80N
- 扭矩：0.6±20%N.m

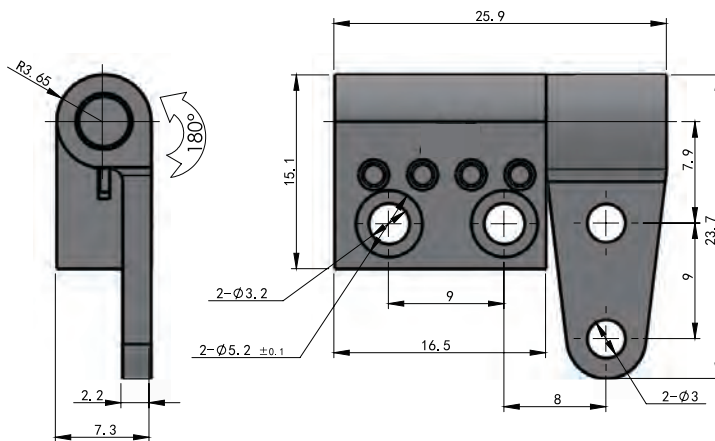
- Material : zinc alloy hinge
- opening angle : 180°
- Radial load : 100N
- Axial load : 80N
- Torque : 0.6±20%N.m



CL-239-7-R



CL-239-7-L

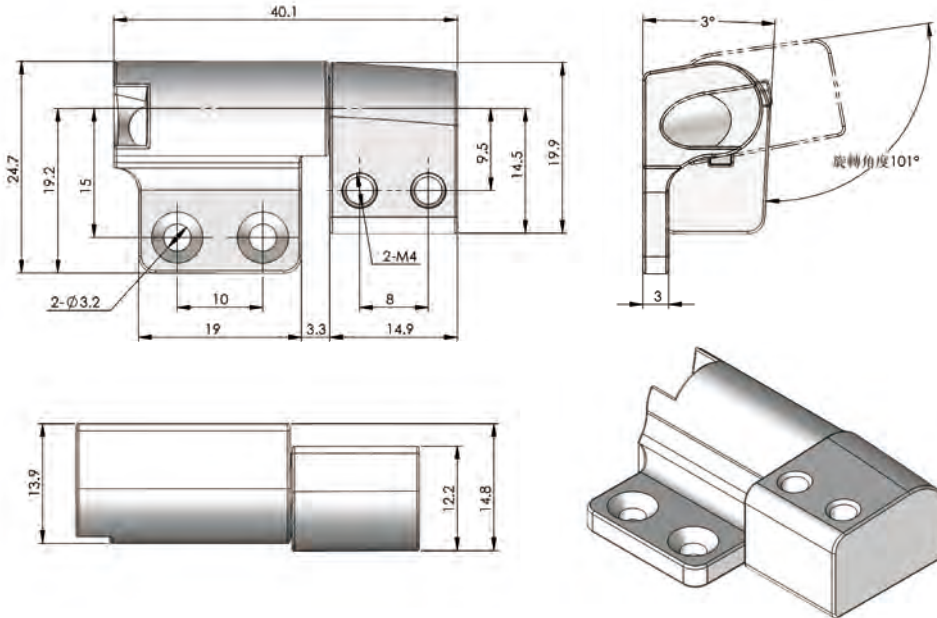


## 阻尼扭矩鉸鏈

Zinc Alloy . Torque Hinge



- 材質：鋅合金
- 表面處理：黑色塗裝
- 可開啟角度：101°
- 徑向載荷：150N
- 軸向載荷：480N
- 扭矩：0.25~0.4N.m
- Material : Zinc alloy
- S.Tr : Black paint
- Opening angle : 101°
- Radial load : 150N
- Axial load : 480N
- Torque : 0.25~0.4N.m



CL-239-9



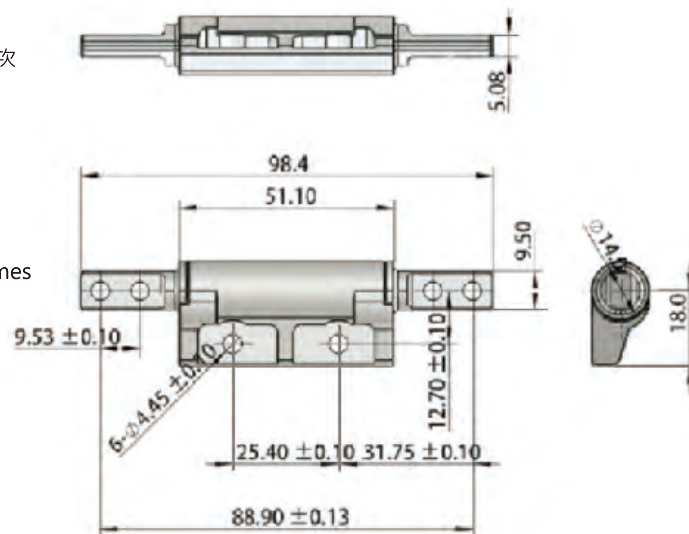
## 阻尼鉸鏈 · 任意角度停止 · 恆定扭矩

Damping hinge. Stop at any angle. Constant torque



- 材質：鋅合金鉸鏈
- 表面處理：黑色烤漆
- 可開啟角度：180°
- 徑向載荷：800N
- 扭矩：2.5N.m±20%
- 使用壽命性能：可循環超過 25000 次

- Material: Zinc alloy
- S.Tr: Black paint
- opening angle :180°
- Radial load: 800N
- Torque: 2.5N.m±20%;
- Product Life: more then 25000 times



CL-338



## 阻尼鉸鏈 · 任意角度停 · 恆定扭矩

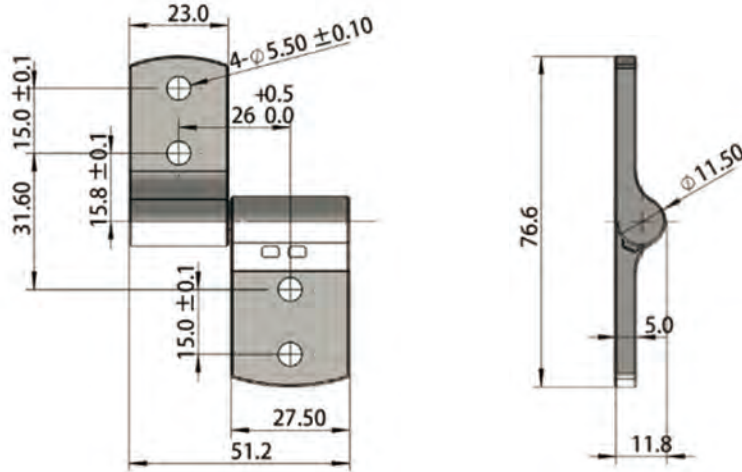
Damping hinge. Stop at any angle. Constant torque



CL-339



- 材質：鋅合金
- 表面處理：黑色塗裝
- 可開啟角度：180度
- 徑向載荷：500N
- 扭矩：2.5N.m±20%
- 使用壽命性能：可循環超過 25000 次
- Material: Zinc alloy
- S.Tr: Black paint
- Opening angle: 180°
- Radial load: 500N
- Torque: 2.5N.m±20%
- Product Life: more then 25000 times



Unit: mm

## 隱藏型鉸鏈 · 可拆卸

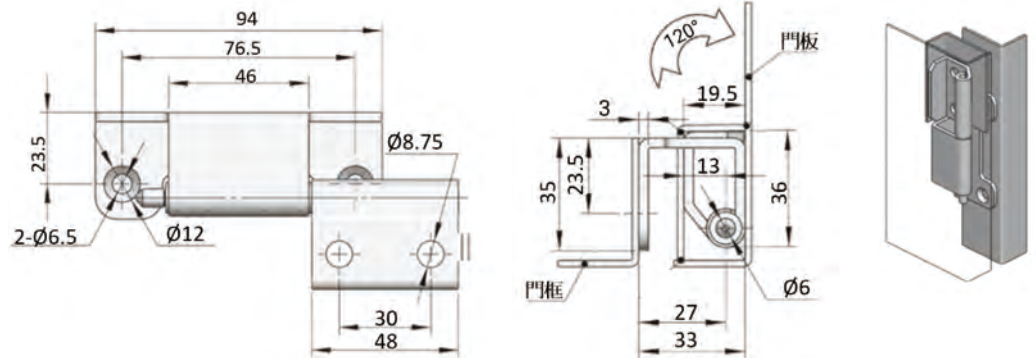
Concealed Hinge. Lift off



CL-244-2D



- 材質：鐵製
- 表面處理：鍍鋅 - 活動端鉸鏈、插銷；  
烤黑漆 - 固定端鉸鏈
- 可開啟角度 120 度
- 徑向載荷：270N
- 軸向載荷：305N
- Material: carbon steel
- S.Tr: zinc plated -hinge& shaft.
- Black powder coated - Fixed End Hinge
- Opening angle:120 degrees
- Radial load: 270N
- Axial load: 305N



# 可調扭矩 · 不鏽鋼阻尼鉸鏈

Adjustable torque. Stainless steel damping hinge.



鉸鏈

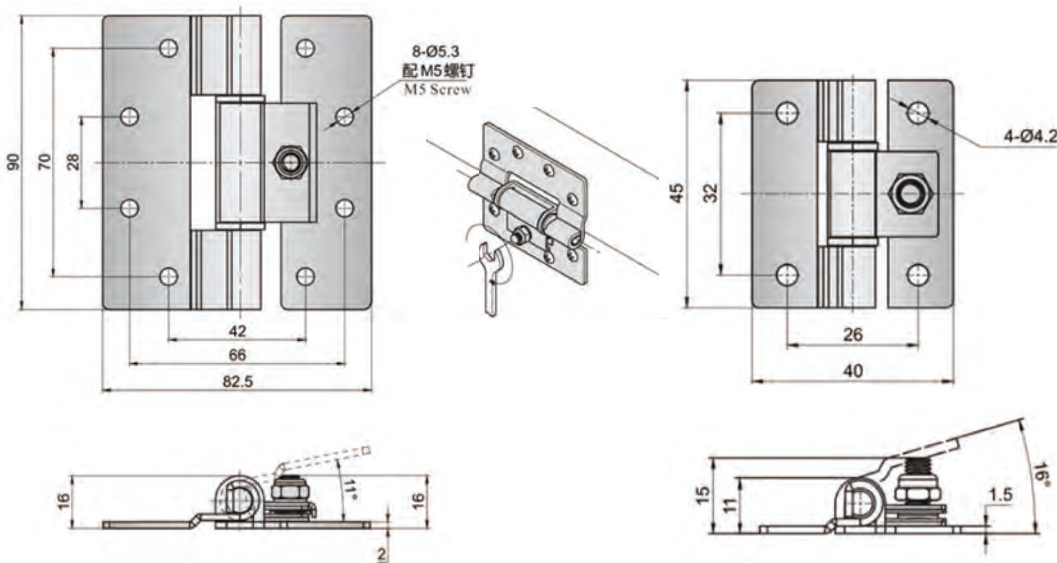
HINGES

- 材質：不鏽鋼 304 (SUS304)
- 表面處理：震動研磨
- 開啟角度：165°
- 特點：可將門板保持在任意角度  
轉動調節螺母可自行改變扭力值  
採用不鏽鋼材質，抗腐蝕性強

- Material : Stainless Steel 304
- Finish : Vibration grinding
- Opening angle : 165°
- Features : Door panels can be held at any angle.  
Turn the adjusting nut to change the torque value by user.  
Made of stainless steel, strong corrosion resistance



CL-3021-SS  
CL-3022-SS



CL-3021-SS

CL-3022-SS

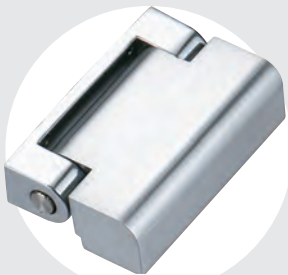
型號 Item No	材質 Material	扭力值 Torque
CL-3021-SS	SUS304	0~5.9 N.m
CL-3022-SS	SUS304	0~2.1 N.m

## 阻尼型鉸鏈 . 定位控制 . 恆定扭矩

### Constant Torque Position Control Hinge



CL-229-1A



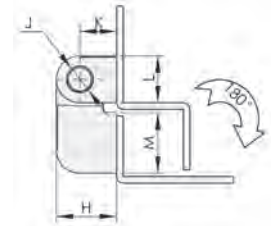
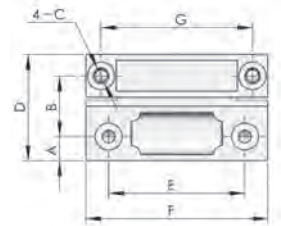
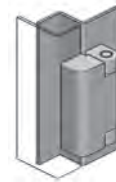
CL-229-1B



CL-229-3A



CL-229-3B



單位 : (mm)

- 材質 : 鋅合金 - 主體 · 鋼鐵鍍銀 - 插銷
- Material : Zinc Alloy-Hinge, nickel-plating steel pin
- 表面處理 : 黑色塗裝 · 亞光鉻
- S.Tr : Black powder coating, chrome plated
- 配置阻尼套件於插銷中 · 有恆定阻力可使門板固定於任意角度。
- With built-in damper fitted in the hinge pin that creates a constant damping force and allows the door to be fixed at any angle.

型號 Item No.	表面處理 Material	A	B	C	D	E	F	G	H	J	K	L	M
CL-229-1A	黑色 Black powder coating	8	20	M5	35	45	60	50	18	8	11	14	18
CL-229-1B	亞光鉻 chrome plated												
CL-229-3A	黑色 Black powder coating	4	18.5	M4	27.5	22	30	22	13	5	8	10	14.5
CL-229-3B	亞光鉻 chrome plated												

## 荷重型不銹鋼鉸鏈

### Stainless Steel · Heavy Duty Hinge

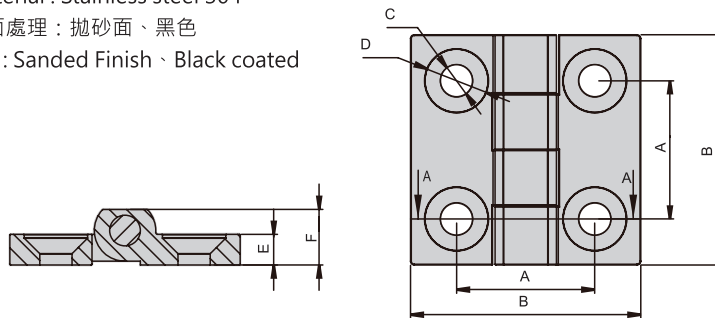


CL-226-1S



CL-226-1BS

- 材質 : 不銹鋼 304 鑄造
- Material : Stainless steel 304
- 表面處理 : 拋砂面 · 黑色
- S.Tr : Sanded Finish · Black coated



單位 : (mm)

型號 Item No	表面處理 S.Tr	A	B	C	D	E	F	荷重 Load kg
CL-226-1S	拋砂面 Sanded Finish	36	60	8.4	16.5	8	14.5	60
CL-226-1BS	黑色 Black coated							
CL-226-2S	拋砂面 Sanded Finish	30	50	6.3	12.3	6	12	50
CL-226-2BS	黑色 Black coated							
CL-226-3S	拋砂面 Sanded Finish	25	40	5.2	10.2	5	9.7	45
CL-226-3BS	黑色 Black coated							



## 塑膠鉸鏈 · PA

### Plastic Hinge

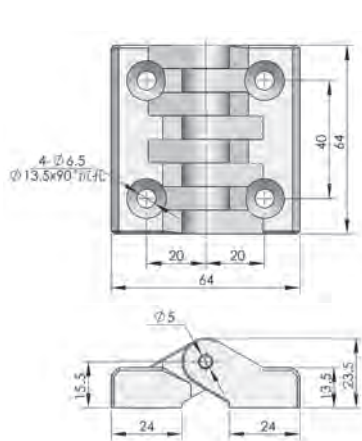


CL-265-1

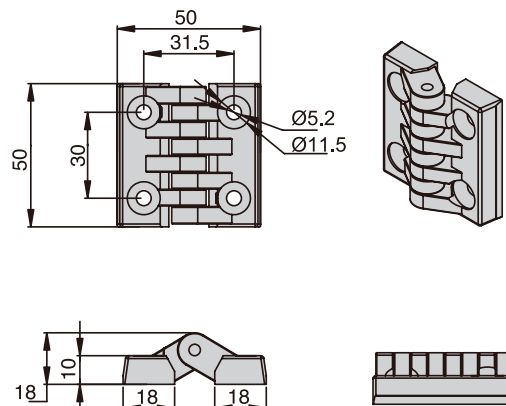


CL-265-2

- 材質：尼龍玻纖 PA
- Material: Nylon Glass Fiberglass
- 徑向載荷：1180N
- Radial Load : 1180N
- 軸向載荷：1500N
- Axial Load : 1500N



CL-265-1



CL-265-2

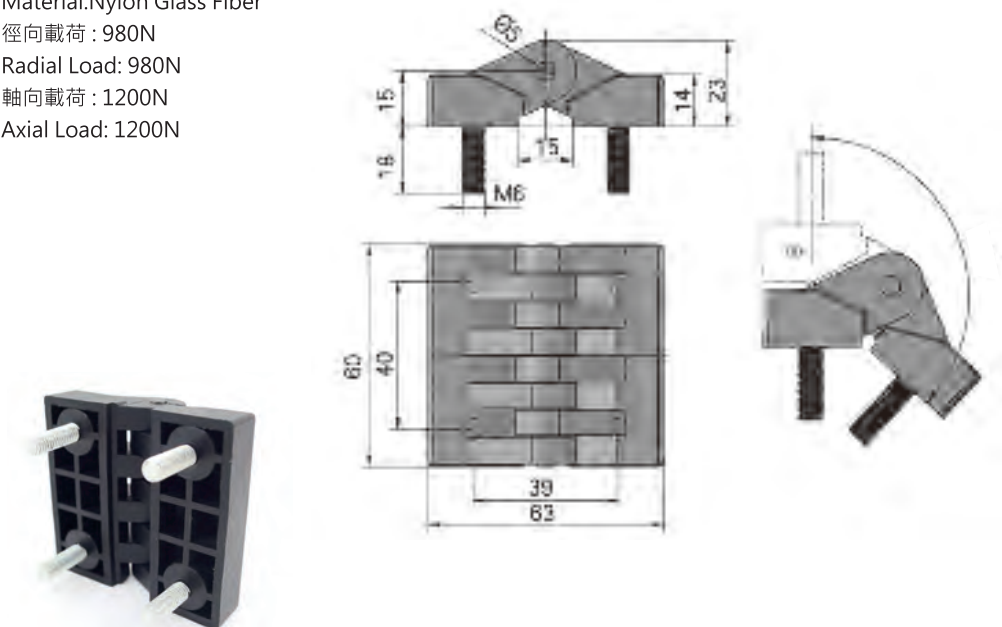
## 螺柱型 PA 塑膠鉸鏈

### Plastic Hinge



CL-K80

- 材質：尼龍玻纖 PA
- Material: Nylon Glass Fiber
- 徑向載荷：980N
- Radial Load: 980N
- 軸向載荷：1200N
- Axial Load: 1200N

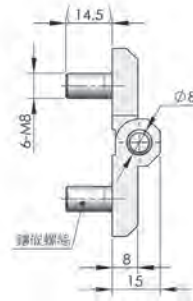
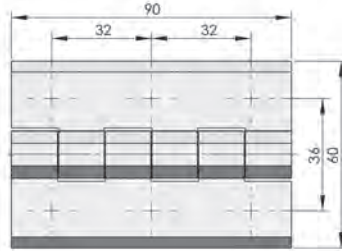


# 鋅合金鉸鏈 · 螺柱型

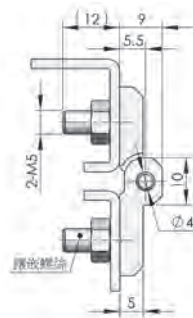
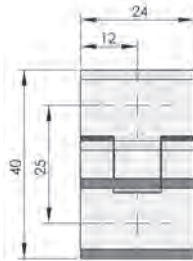
## Zinc Alloy Hinge Series



- 材質：鋅合金 • Material: Zinc Alloy
- 表面處理：黑色塗裝 • S.Tr: Black powder coated



- CL-226-5A  
徑向載荷：1120N Radial Load: 1120N  
軸向載荷：1200N Axial Load: 1200N



- CL-226-6A  
徑向載荷：520N Radial Load: 520N  
軸向載荷：210N Axial Load: 210N

# 鉸鏈

## HINGES



CL-226-5A



CL-226-6A

# 鋅合金鉸鏈

## Zinc Alloy Hinge Series



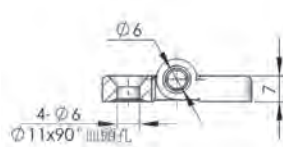
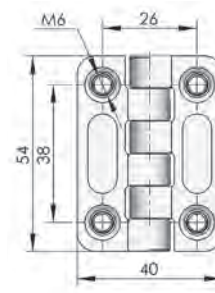
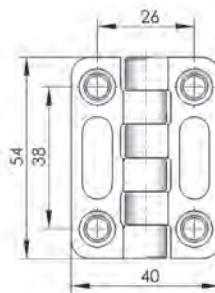
- 材質：鋅合金
- Material: Zinc Alloy
- 表面處理：電鍍亮鉻、黑色塗裝
- S.Tr: Bright chrome plated, black powder coated
- 徑向載荷：1500N • Radial Load: 1500N
- 軸向載荷：1800N • Axial Load: 1800N



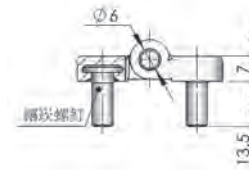
CL-209-2



CL-209-4



皿頭孔型  
Countersunk



螺柱型  
Thread-stud

	型號 Item No	
	螺柱型	皿頭孔型
黑麻面 Black powder coated	CL-209-1	CL-209-3
鍍亮鉻 Bright chrome plated	CL-209-2	CL-209-4



CL-209-1



CL-209-3



## 鋅合金鉸鏈 Zinc Alloy Hinge Series



CL-218 螺柱型

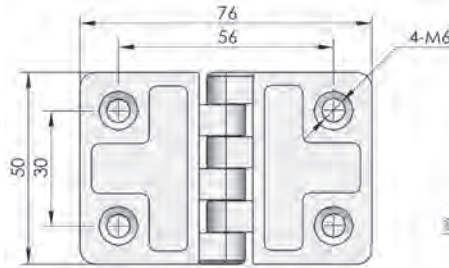


CL-218-2 凹頭孔型

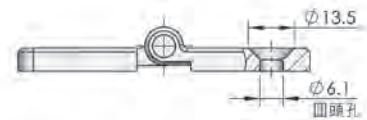
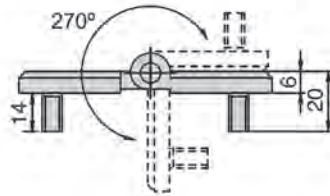


CL-222

- 材質：鋅合金 • Material: Zinc Alloy
- 表面處理：黑色塗裝 • S.Tr : Black powder coated
- 徑向載荷：1125N • Radial Load : 1125N
- 軸向載荷：1490N • Axial Load : 1490N

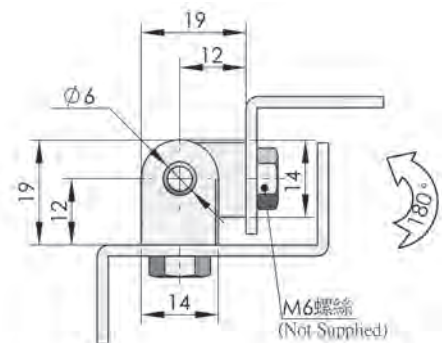
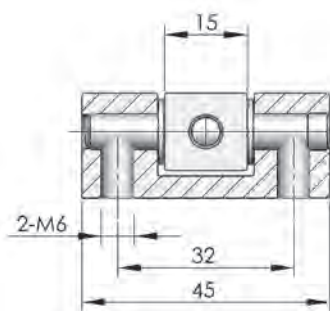
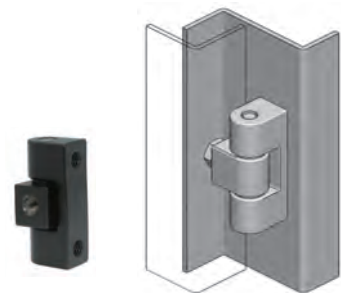


CL-218  
螺柱型



CL-218-2  
凹頭孔型

- 材質：鋅合金鉸鏈 · 鐵製插銷
- Material : Zinc Alloy Hinge · Steel-Pin
- 可開啟角度 180°
- Maximum Opening Angle 180°
- 徑向載荷：1675N
- Radial Load : 1675N
- 軸向載荷：2000N
- Axial Load : 2000N



# 鋅合金鉸鏈

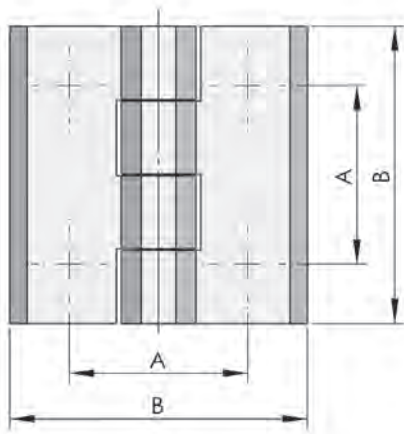
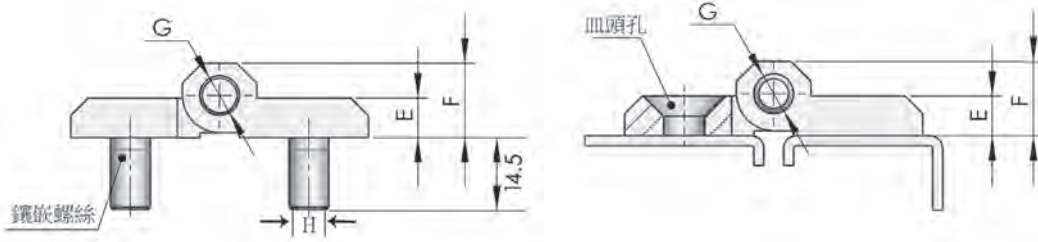
## Zinc Alloy Hinge Series



鉸鏈

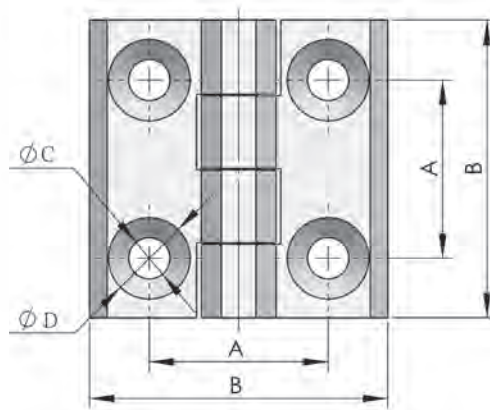
HINGES

- 材質：鋅合金
- Material : Zinc Alloy
- 表面處理：黑色塗裝、亮鉻
- S.Tr : Black powder coated or chrome plated
- 軸：不銹鋼 304
- Pin : Stainless steel 304



螺柱型 Thread-stud

- CL-226-1A
- CL-226-2A
- CL-226-3A



皿頭孔型 Countersunk

- CL-226-1
- CL-226-2
- CL-226-3
- CL-226-1C
- CL-226-2C
- CL-226-2PA(塑膠 PA)

單位 : (mm)

型號 Item No.	顏色 Color	A	B	C	D	E	F	G	H	徑向載荷	軸向載荷
CL-226-1/1A	黑 Black	36	60	8.4	16.5	8	15	8	M8	1800N	1500N
CL-226-1C	亮鉻 Bright Chrome										
CL-226-2/2A	黑 Black	30	50	6.3	12.5	6	11.5	6	M6	1300N	1200N
CL-226-2C	亮鉻 Bright Chrome										
CL-226-2PA	黑 (塑膠) Black										
CL-226-3/3A	黑 Black	25	40	5.2	10.2	5	9	4	M5	1200N	1000N



CL-226-1



CL-226-1A



CL-226-1C



CL-226-2PA

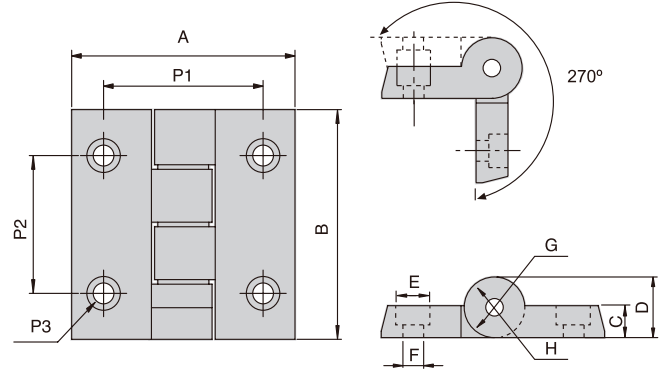
## 鋁合金鉸鏈

### Aluminum Alloy Hinge Series



CL-208

- 材質：鋁合金
- Material : Aluminum Alloy
- 表面處理：陽極處理黑色
- S.Tr : Black powder
- 產品特性：配置荷重墊圈無任何間隙，可防止裝上門板後因負載過重造成門板傾斜下垂，適合用於須荷重的門板上。
- Feature : With nylon washer that fills the gap in between the hinge knuckles to prevent heavy door from sagging after installation.
- CL-208-2 徑向載荷：800N  
軸向載荷：550N



單位：(mm)

型號 Item No	A	B	C	D	E	F	G	H	P1	P2	P3
CL-208-1	70	75	10	19.5	10.5	6.5	18	6	47	54.5	M6
CL-208-2	70	50	10	19.5	10.5	6.5	18		47	30	M6
CL-208-3	40	50	6.5	13.5	9	5.5	13		26	30	M5



CL-260

## 快拆型 · 塑膠鉸鏈

### Plastic Lift off Hinge



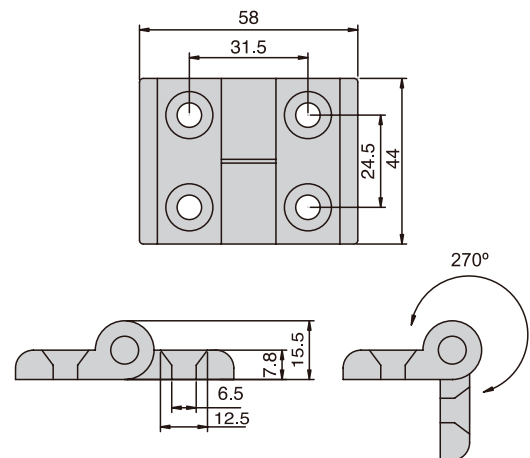
- 材質：PA
- Material : Nylon glass fiberglass
- 左、右開門區分，適用於鋁型材箱體，半導體設備
- Available in left hand and right hand version



CL-260-1(左/L)



CL-260-2(右/R)

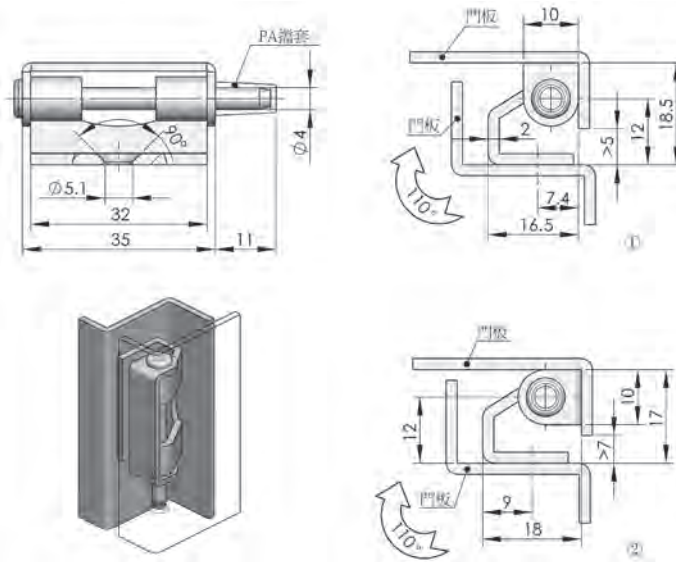


# 小型隱藏式鉸鏈 · 可拆卸

## Concealed Hinges-Small



- 材質：鋼鐵鍍鋅 · PA 擋套
- Material : Steel zinc plated, PA fixation-set
- 門板開啓 110 度
- The door rotate 110°
- 徑向載荷 : 885N
- Radial Load : 885N
- 軸向載荷 : 525N
- Axial Load : 525N



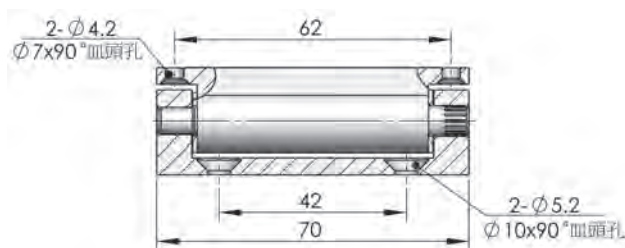
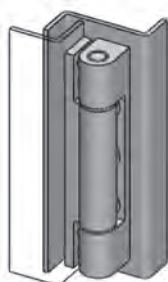
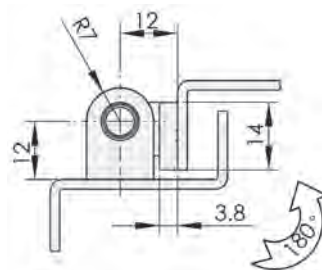
CL-257

# 鋁合金鉸鏈

## Aluminum Hinge



- 材質：本體 - 鋁合金、插銷 - 不銹鋼 304
- Material : Aluminum hinges; Stainless steel pin
- 表面處理：奈米銀色烤漆
- S.Tr : Matt Silver
- 門板轉動角度約 180°
- Door opening angle approximately 180°
- 徑向載荷 : 500N
- Radial Load : 500N
- 軸向載荷 : 600N
- Axial Load : 600N



CL-250

不銹鋼 · 可拆卸 · 鉸鏈

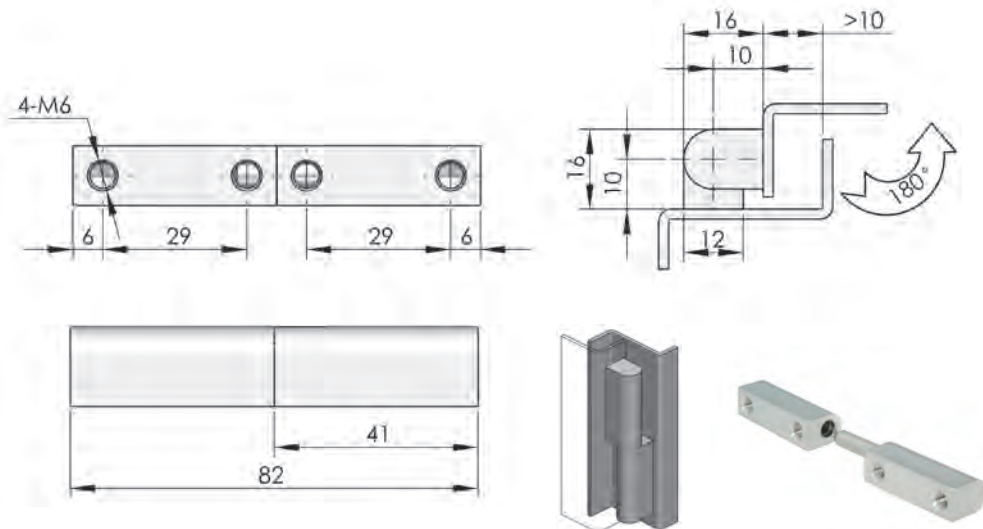
Stainless Steel · Lift-Off Hinges



- 材質：不銹鋼 304
- Material : Stainless Steel 304
- 表面處理：鏡面拋光
- S.Tr : Bright polishing
- 可開啟角度：180°
- Door opening angle at 180°



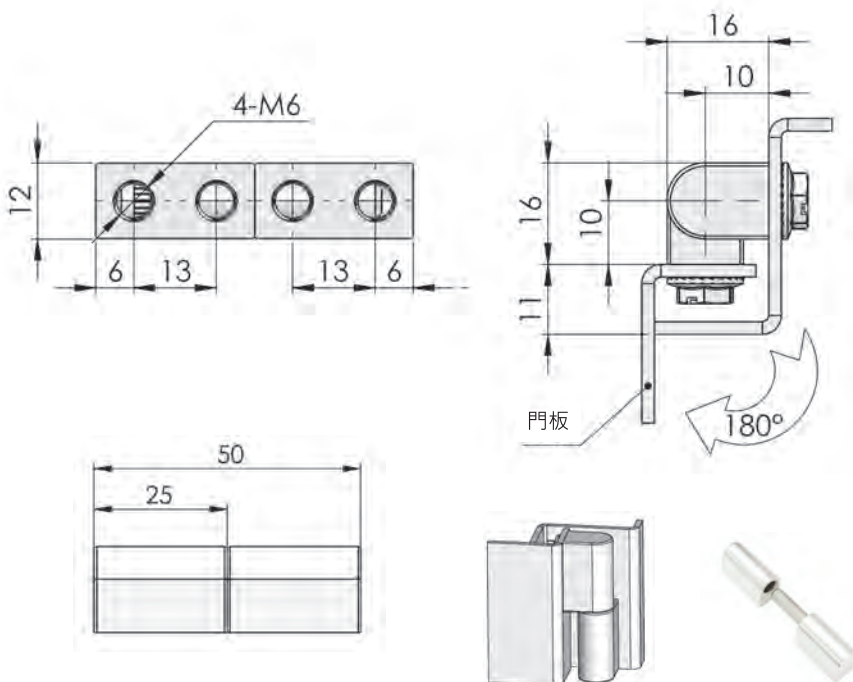
CL-204-3S



- CL-204-3S  
 徑向載荷：1800N      Radial Load : 1800N  
 軸向載荷：2900N      Axial Load : 2900N



CL-204-7S



- CL-204-7S  
 徑向載荷：1500N      Radial Load : 1500N  
 軸向載荷：2000N      Axial Load : 2000N

# 卡入型轉角鉸鏈 · 可拆卸

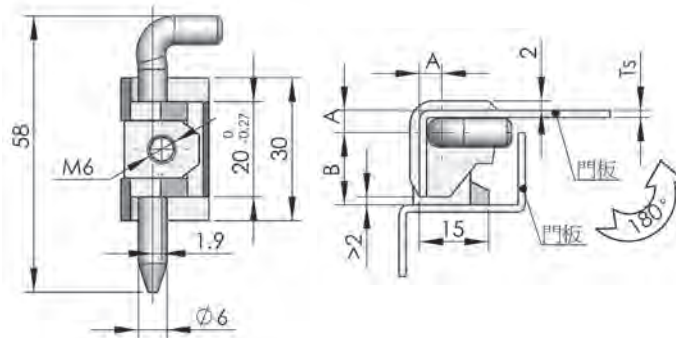
## Zinc Alloy Hinge Series



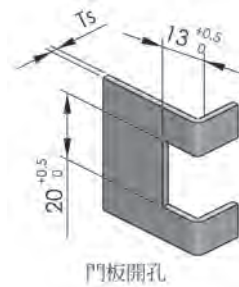
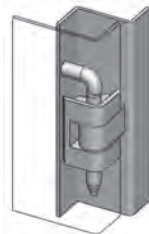
鉸鏈

HINGES

- 材質：鋅合金
- Material : Zinc Alloy
- 表面處理：黑色塗裝
- S.Tr : Black powder coated
- 適用門板厚度：1.6T
- Panel thickness :1.6T
- 徑向載荷：900N
- Radial Load : 900N
- 軸向載荷：700N
- Axial Load : 700N



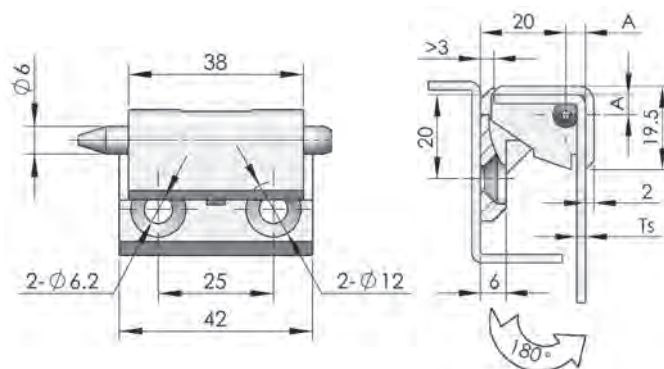
單位:(mm)



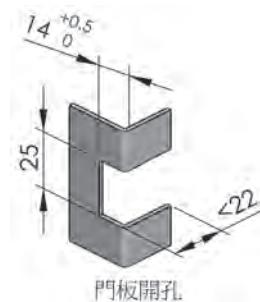
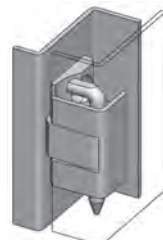
型號 Item No.	A	B	Panel thickness
CL-216	4.6	15	適用 Ts:1.6mm 門板

CL-216

- 材質：鋅合金
- Material: Zinc Alloy
- 表面處理：黑色塗裝
- S.Tr: Black powder coated
- 適用門板厚度：2.0T 和 3.0T 二種
- Panel thickness : 2.0T&3.0T
- 徑向載荷：1050N
- Radial Load : 1050N
- 軸向載荷：980N
- Axial Load : 980N



單位:(mm)



型號 Item No.	A	Panel thickness
CL-215-2-2.0T	5.1mm	適用 Ts:2mm 門板
CL-215-2-3.0T	6.1mm	適用 Ts:3mm 門板



CL-215-2

## 不銹鋼隱藏型可拆鉸鏈

Hidden removable hinge. 500Hour salt spray pass

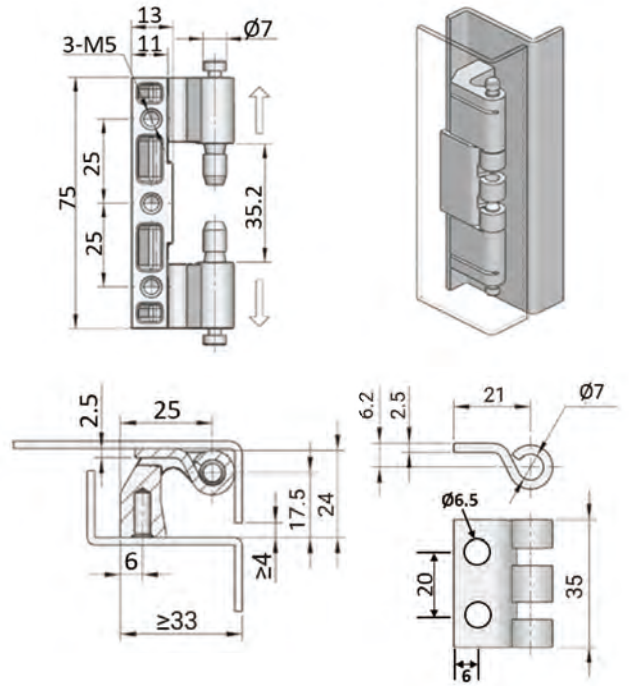


CL-201-1B-CHS



- 材質：不銹鋼
- 表面：全零件高耐鹽霧處理
- 固定片：不銹鋼
- 針對「5G outdoor」、「充電樁」、「國家電網」、戶外設備應用領域，特別開發出高性效能要求的專用鉸鏈，符合國際使用規範。
- Material: Stainless steel
- S.Tr: High salt spray treatment for all parts
- Swing leaf: stainless steel
- For "5G outdoor", "charging pile", "State Grid", outdoor equipment applications, Specially developed special hinges with high performance requirements, in line with international use specifications.

通過 500Hour 鹽霧測試



## 鋅合金隱藏型鉸鏈 · 可拆卸

Concealed Hinge. Removable. Zinc Alloy



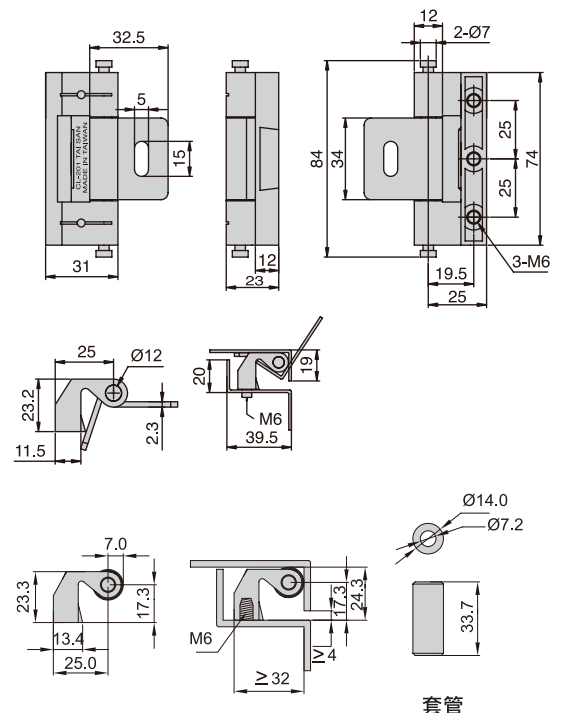
CL-201

- 材質：鋅合金
- Material: Zinc Alloy
- 表面處理：黑色電著處理
- S.Tr: Black powder coated
- 固定片：鋼鐵、不銹鋼
- Swing leaf : Steel and stainless steel 304



備註：鉸鏈主體與附件須分開訂購  
訂購範例：CL-201+CL-201.03

型號 Item No.	材質 Material
CL-201	鉸鏈主體 Body
CL-201-ST	鐵製活動片 Swing Leaf Steel
CL-201-SS	不銹鋼活動片 Swing Leaf stainless steel
CL-201-3	套管附件



# 冷凍庫門鉸鏈

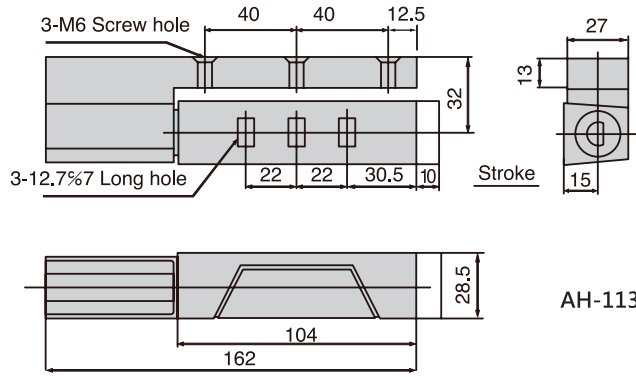
## Edgemount Hinges



鉸鏈

HINGES

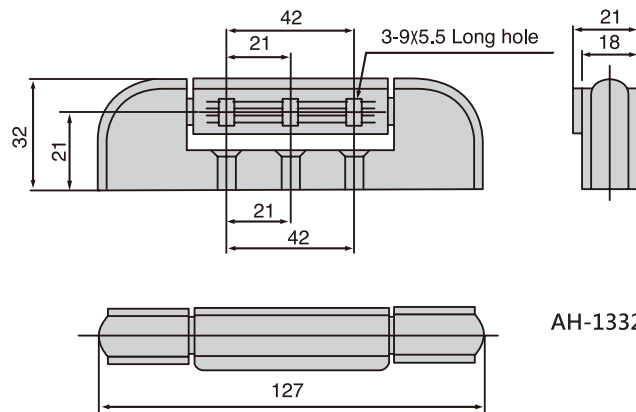
- 材質：鋅合金
- Material : Zinc Alloy
- 表面處理：鍍鉻
- S.Tr : Bright chrome plated



AH-1132



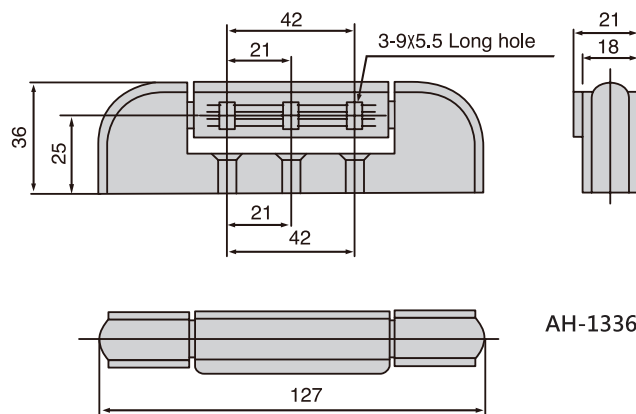
AH-1132



AH-1332



AH-1332



AH-1336



AH-1336

## 可調壓縮型 · 鋅合金鉸鏈

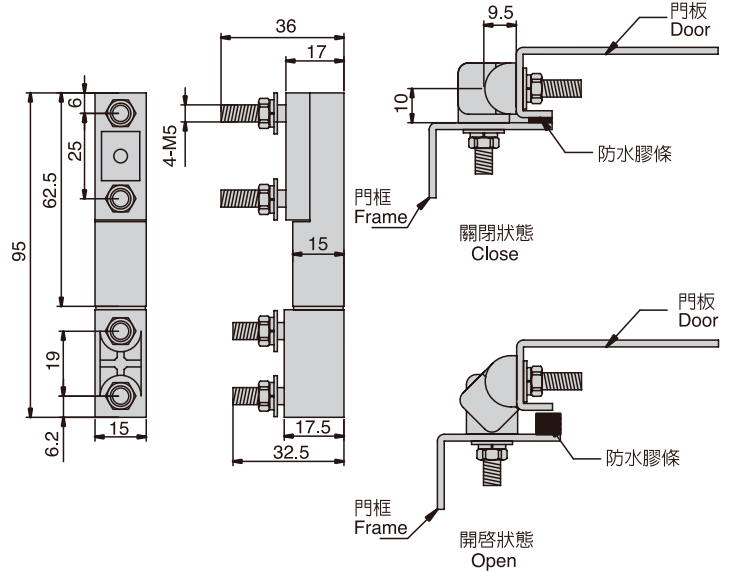
Hinges.Lift-off.Adjustable compression



- 材質：主體 - 鋅合金 · 螺絲 - 不銹鋼
- Material: Body-Zinc Alloy · Screw-Stainless steel
- 可防止膠條安裝後關門時左右二邊施力不均問題
- Prevent closing the door compress is unequal.
- 徑向載荷：165N      • Radial Load : 165N
- 軸向載荷：980N      • Axial Load : 980N



CL-2035



## 180 度隱藏式鉸鏈

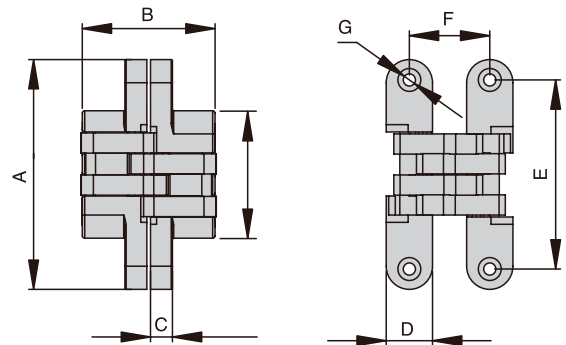
### 180° Degree Concealed Hinge



- 材質：鋅合金
- Material : Zinc Alloy
- 表面處理：鍍鉻
- S.Tr : Bright chrome plated

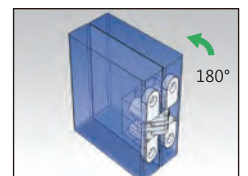
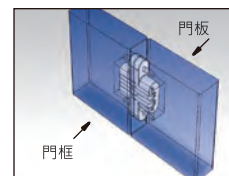


CL-95



單位:(mm)

型號 Item No.	A	B	C	D	E	F	G	H
CL-45	45	37	5	13	31	21.5	Φ4.3	18
CL-70	70	47.5	7	16	51.5	26.5	Φ4.3	34
CL-95	95	54.5	9	19	77.6	33	Φ5	52

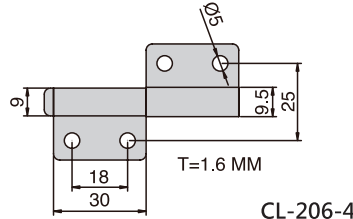
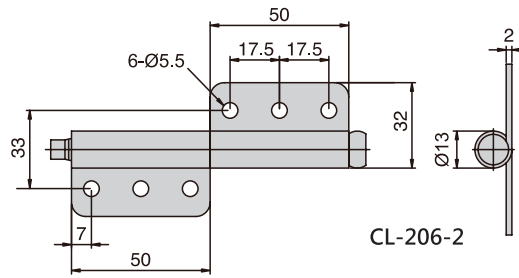
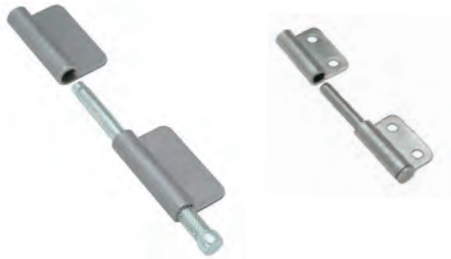


# 鉸鏈 · 可拆卸型

## Lift off Hinge



- 材質：鋼鐵及不銹鋼兩種
- Material : Steel and stainless steel 304



CL-206-4

CL-206-3

型號 Item No.	材質 Material
CL-206-1	鐵 Steel
CL-206-1-SS	不銹鋼 Stainless steel
CL-206-2	鐵 Steel
CL-206-2-SS	不銹鋼 Stainless steel
CL-206-3	鐵 Steel
CL-206-3-SS	不銹鋼 Stainless steel
CL-206-4	鐵 Steel
CL-206-4-SS	不銹鋼 Stainless steel



CL-206-1



CL-206-2

# 彈簧鉸鏈 · 快速拆卸 · 隱藏安裝

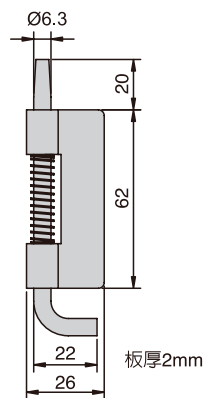
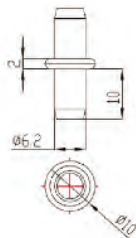
## Removable Spring Loaded Hinge



- 材質：鋼鐵及不銹鋼兩種
- Material : Steel and stainless steel 304



CL-205-D2



CL-205

型號 Item No.	下座規格
CL-205-D2	下座 2mm, 鐵 Steel
CL-205-D2-SS	下座 2mm, 不銹鋼 stainless steel 304
CL-205-D3	下座 3mm, 鐵 Steel

- 材質：鐵 CL-205
- Material : steel
- 材質：不銹鋼 CL-205-SS
- Material : Stainless Steel

# 可拆卸型 · 外鉸鏈

## Lift off Hinge



- 材質：鋅合金
- Material : Zinc Alloy
- 表面處理：電著烤漆
- S.Tr: Black powder coated
- 可開啟角度 180°
- Door opening angle at 180°



CL-203-1L



CL-203-2R



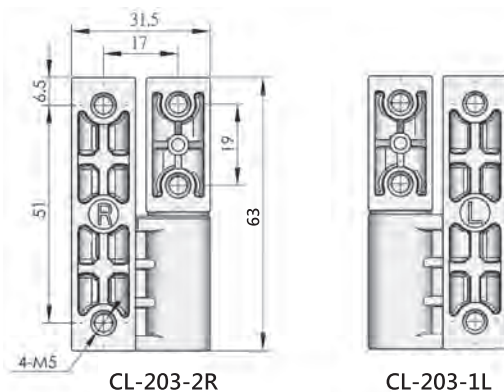
CL-203-3



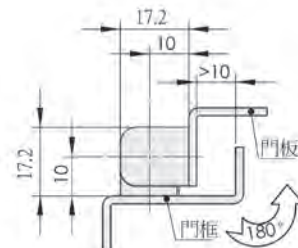
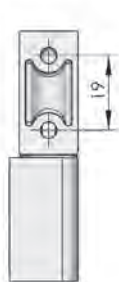
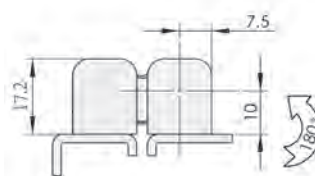
CL-203-4L



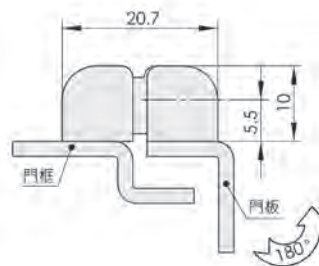
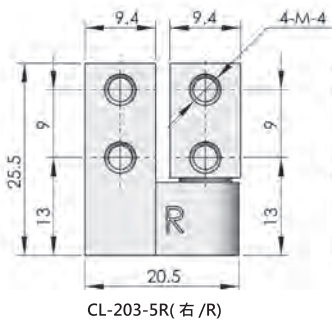
CL-203-5R



CL-203-1L(左/L)  
CL-203-2R(右/R)  
偏置鉸鏈



CL-203-3  
同軸鉸鏈



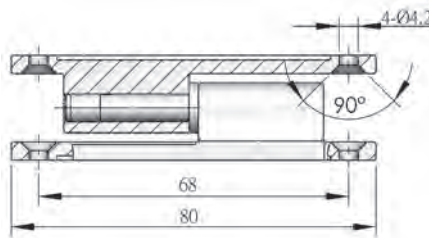
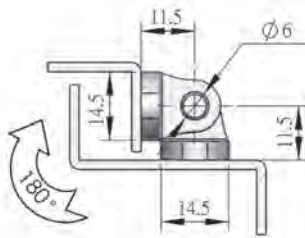
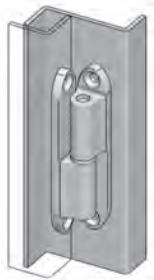
CL-203-4L(左/L) CL-203-5R(右/R)  
小型偏置鉸鏈

## 可拆卸型 · 外鉸鏈

Lift off Hinge



- 材質：鋅合金
- Material : Zinc Alloy
- 表面處理：電鍍亮鉻、黑色塗裝
- S.Tr : Bright chrome plated、black powder coated
- 180°門表面安裝鉸鏈，安裝，拆卸方便，結構可靠。
- 180° hinges mounted to the door surface, is convenient for fixing and removal
- 徑向載荷：330N
- Radial Load: 330N
- 軸向載荷：760N
- Axial Load : 760N



鉸鏈

HINGES



CL-207-1  
亮鉻 Chrome



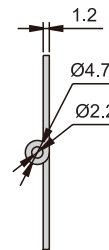
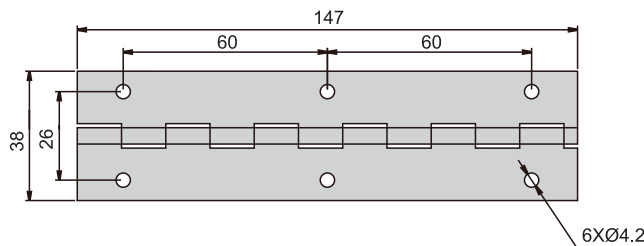
CL-207-2  
黑 Black

## 不銹鋼鉸鏈

Stainless Steel Hinge



- 材質：不銹鋼 304
- Material : Stainless Steel 304



CL-14738-1

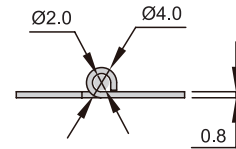
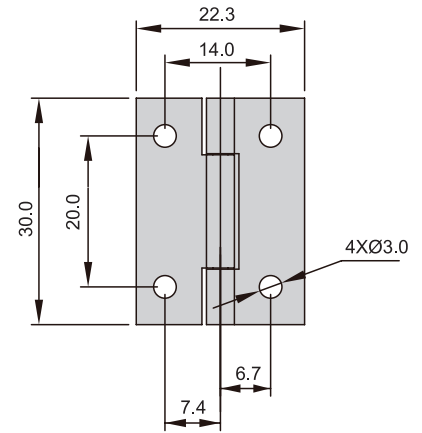
## 不銹鋼小型鉸鏈

### Stainless Steel Hinge-Mini Type



CL-046

- 材質：不銹鋼 304
- Material : Stainless Steel 304
- 表面處理：震動研磨
- S.Tr : Vibration Polish



CL-202



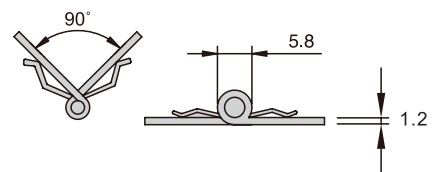
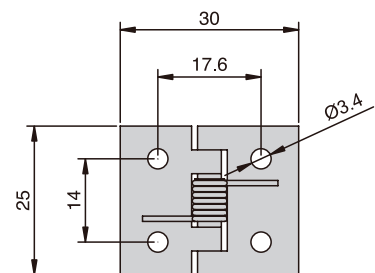
CL-202-N

## 不銹鋼彈簧小型鉸鏈

### Spring Loaded Mini Hinge



- 材質：不銹鋼 SUS 304
- Material : Stainless Steel 304
- 表面處理：振動研磨
- S.Tr: Vibration polish finish
- 適用螺絲：M3
- Uses M3 screw
- 另有無彈簧式產品 (CL-202-N)
- Also available without spring(CL-202-N)
- 彈簧負載 :0.4 kgf,( 使用 2 個 )
- Spring Load:0.4 kgf,2 pieces



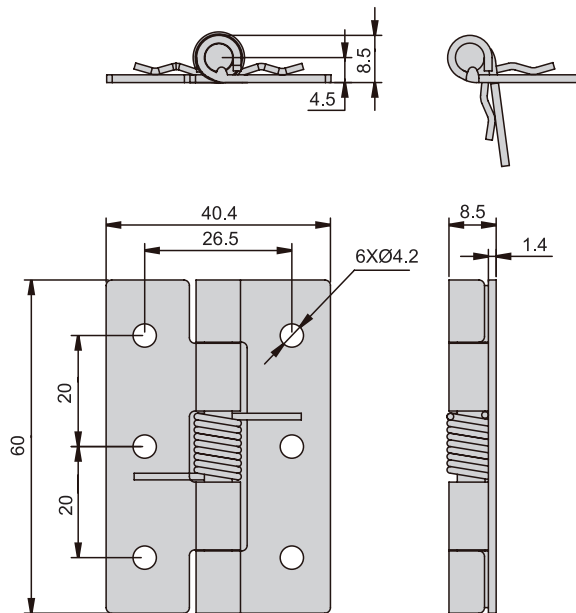
Unit : mm

# 不銹鋼彈簧鉸鏈

## Stainless Steel Spring Loaded Hinge



- 材質：不銹鋼 304
- Material : Stainless Steel 304
- 表面處理：震動研磨
- S.Tr : Vibration Polish
- 彈簧扭矩：1.4kgf.cm/pcs
- Spring load : 1.4kgf.cm/pcs



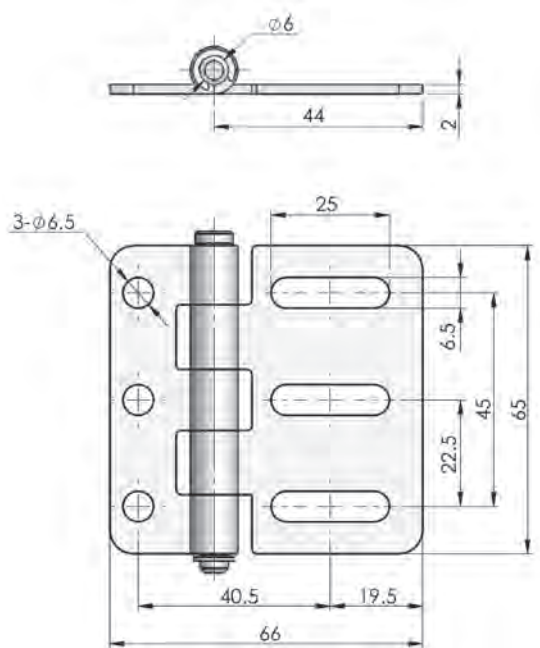
CL-236

# 可調鎖附孔位 · 不銹鋼鉸鏈

## Stainless steel Hinge



- 材質：不銹鋼 304 · 鏡面拋光
- Material : Stainless steel 304
- 徑向載荷：350N
- Radial Load : 350N
- 軸向載荷：450N
- Axial Load : 450N



CL-156-2

## 可調鎖附孔位 · 鋁合金鉸鏈

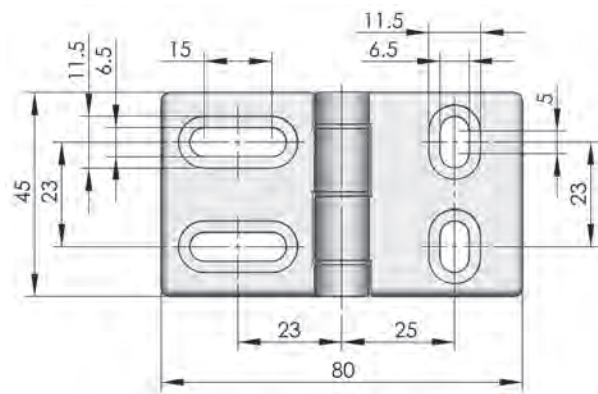
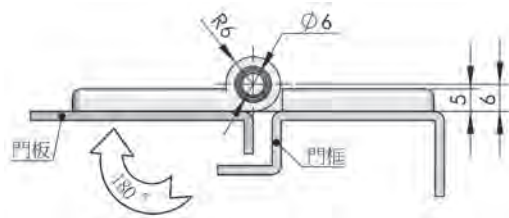
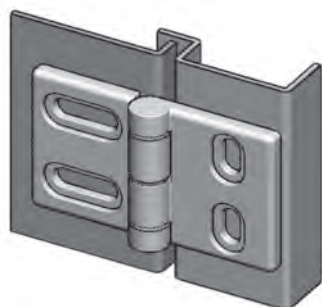
### Aluminum Alloy Hinge



- 材質：鋁合金鉸鏈、不銹鋼插銷
- Material：Aluminum Alloy、Stainless steel Pin
- 表面處理：噴砂
- S.Tr：Sandblasting Finish
- 徑向載荷：620N
- Radial Load：620N
- 軸向載荷：365N
- Axial Load：365N



CL-156



## 沉孔型鋅合金鉸鏈

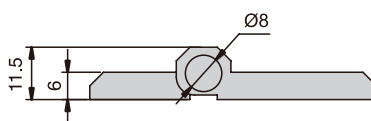
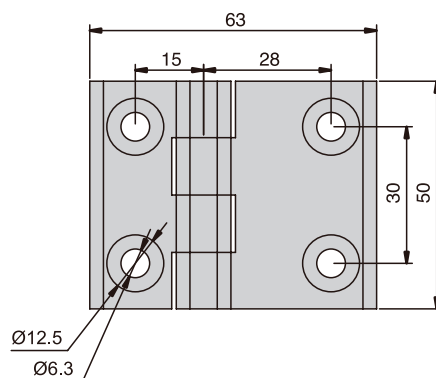
### Zinc Alloy Heavy Duty Hinge



- 材質：鋅合金
- Material: Zinc Alloy
- 表面處理：黑色塗裝
- S.Tr: Black powder coated
- 徑向載荷：1100N
- Radial Load：1100N
- 軸向載荷：1200N
- Axial Load：1200N



CL-226-4-2



# 快拆型 · 不銹鋼鉸鏈

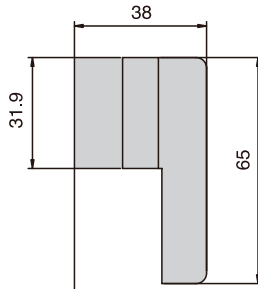
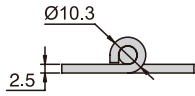
Stainless steel · Lift-Off Hinges



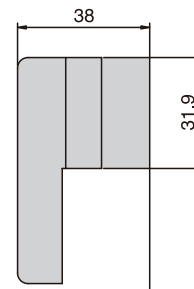
鉸鏈

HINGES

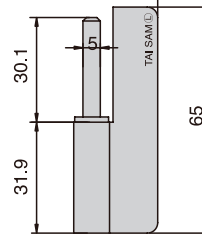
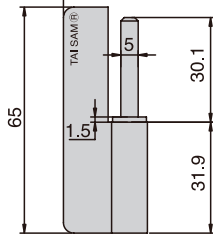
- 材質：不銹鋼 304
- Material : Stainless Steel 304
- 表面處理：震動研磨
- S.Tr : Vibration Polish
- 分左、右邊使用
- Available in left hand and right hand version



CL-3865-1 (右/R)



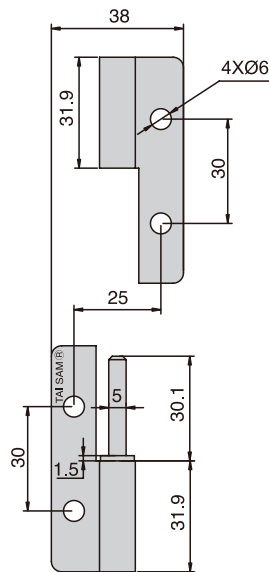
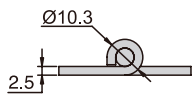
CL-3865-2 (左/L)



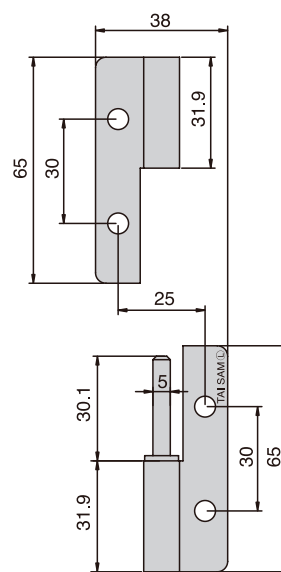
CL-3865 有孔



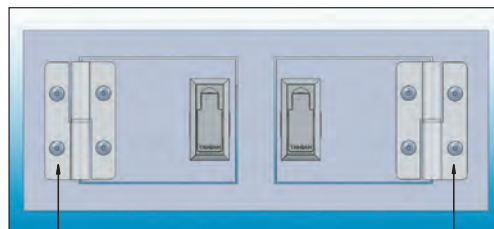
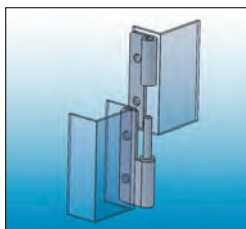
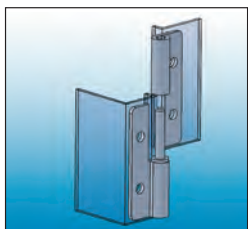
CL-3865 無孔



CL-3865-3 (右/R)



CL-3865-4 (左/L)



安裝示意圖

右 / R

左 / L

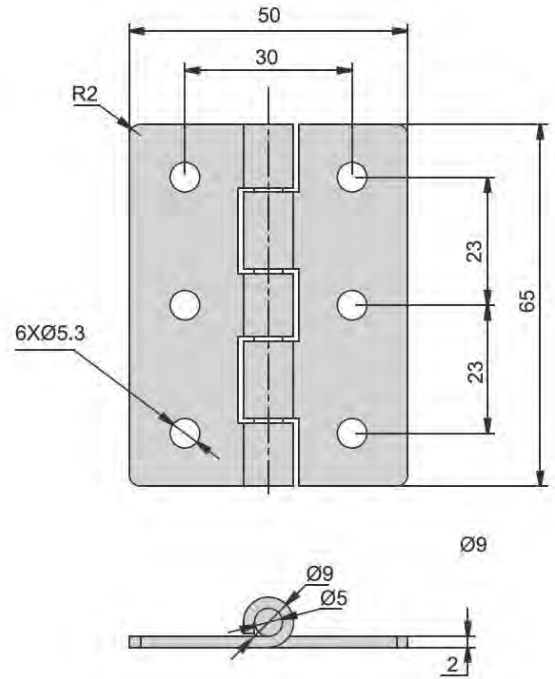
# 不銹鋼鉸鏈

## Stainless Steel Hinge



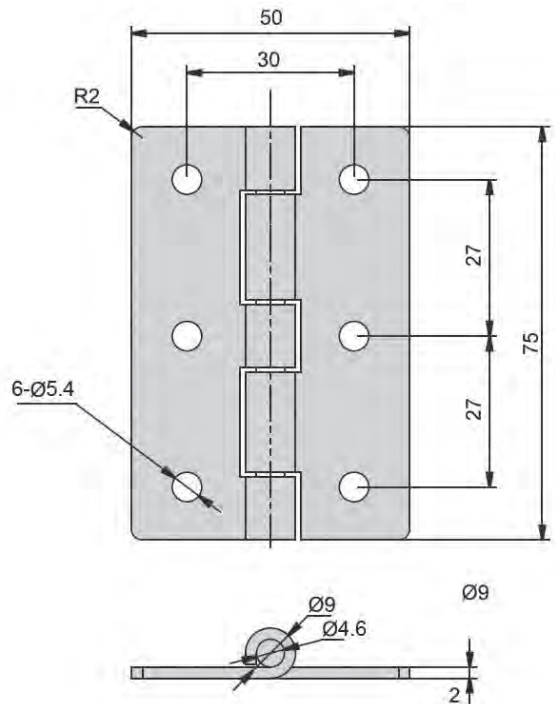
CL-5065

- 材質：不銹鋼 304
- Material : Stainless Steel 304
- 表面處理：震動研磨
- S.Tr : Vibration Polish



CL-5075( 冲孔 )

- 材質：不銹鋼 304
- Material : Stainless Steel 304
- 表面處理：震動研磨
- S.Tr : Vibration Polish



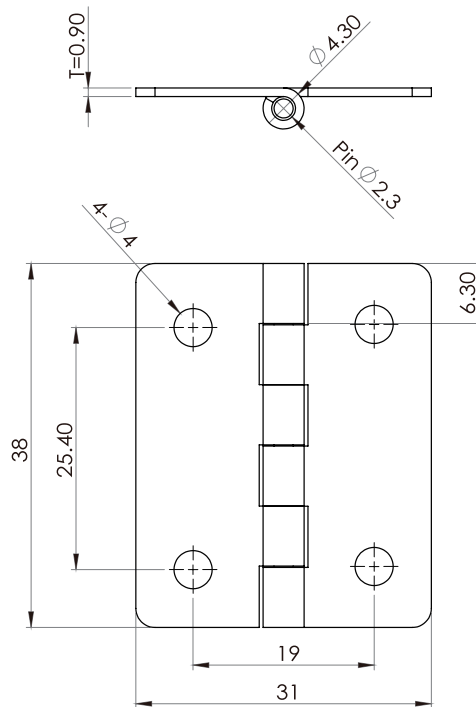
CL-5075-2( 無孔 )

## 不鏽鋼鉸鏈 · 小型

Stainless Steel Hinge . small



- 材質：不鏽鋼 304
- Material: Stainless Steel 304
- 表面處理：震動研磨
- S.Tr:Vibration Polish
- 可開啟角度：270°
- Opening Angle : 270°



鉸鏈

HINGES



CL-3138

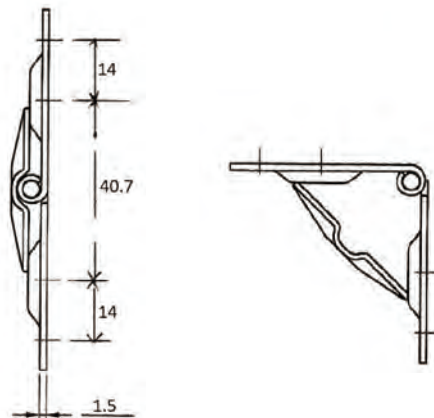
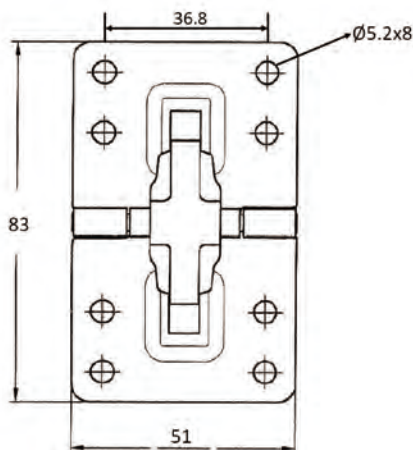
## 90 度限位鉸鏈 · SUS 304

90 degree limit hinge. SUS 304



- 材質：不鏽鋼 304.
- 表面處理：震動拋光
- 荷重 :10KG (2pcs)
- 利用鉸鏈機械結構，在開啟 90 度時形成有效限位。
- 適用於鍵盤台板支撐；小型桌板支撐。

- Material : stainless steel 304.
- Surface Treatment : Vibration Polished
- Load : 10KG (2pcs)
- Using the hinge mechanical structure to form an effective limit when it is opened 90 degrees.
- Suitable for keyboard table support.



CL-2350



# 不銹鋼鑄造鉸鏈 · 荷重型

## Heavy Duty Stainless Steel Hinge



- 材質：不銹鋼 316 (SUS316)
- Material: Stainless steel 304
- 表面處理：鏡面拋光
- S.Tr: Bright polishing
- Pin 軸兩端焊封拋光，插銷隱藏，延長使用壽命
- Pin hidden, Extend product life



CL-200-1H



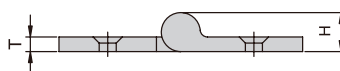
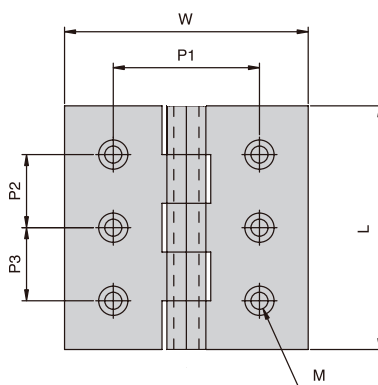
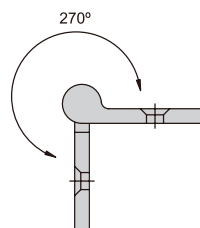
CL-200-2H



CL-200-3H



CL-200-4H



單位:(mm)

型號 Item No	ØD	H	L	W	P1	P2	P3	T	M	荷重 Load kg / 2pcs
CL-200-1H	8	16	100	100	60	30	30	6	M6	120
CL-200-2H	8	16	75	75	50	40		6	M6	100
CL-200-3H	6	14	65	65	40	35		5	M5	80
CL-200-4H	6	14	50	50	35	20		5	M5	80

# 鑄造 · 荷重型 · 不銹鋼鉸鏈

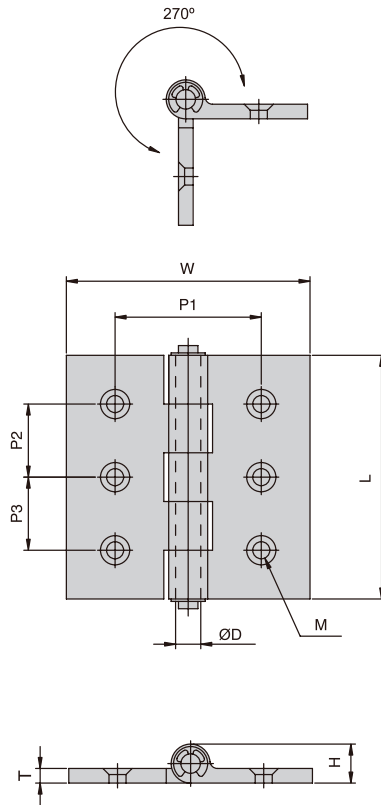
## Heavy Duty Stainless Steel Hinge



鉸鏈

HINGES

- 材質：不銹鋼 304
- Material : Stainless steel 304
- 表面處理：鏡面拋光
- S.Tr : Bright polishing
- 可訂製不銹鋼 316 材質
- Can be custom made in stainless steel 316



CL-200-1



CL-200-2



CL-200-3



CL-200-4

單位 : (mm)

型號 Item No	ØD	H	L	W	P1	P2	P3	T	M	荷重 Load Kg /2pcs
CL-200-1	8	16	100	100	60	30	30	6	M6	120
CL-200-2	8	16	75	75	50	40		6	M6	100
CL-200-3	6	14	65	65	40	35		5	M5	80
CL-200-4	6	14	50	50	35	20		5	M5	80

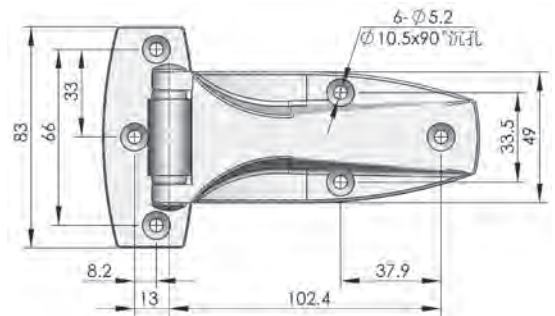
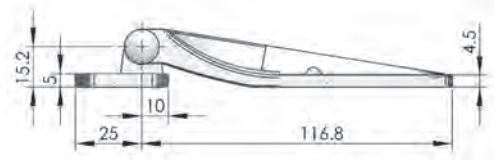
## 不銹鋼荷重型鉸鏈

Stainless Steel Hinge · Heavy Duty



CL-14282

- 材質：不銹鋼 304、墊圈：PA66
- Material : Stainless steel 304、
- Washer : PA66
- 配置荷重墊圈，防止裝上門板後因負載過重，造成門板傾斜下垂，適用於荷重門板上
- With nylon washer that fills the gap in between the hinge knuckles to prevent heavy door from sagging after installation.
- PA66 耐溫 200 度
- 插銷：直徑 8m/m
- Pin : Diameter 8m/m
- 徑向載荷：2100N
- Radial Load: 2100N
- 軸向載荷：3000N
- Axial Load : 3000N



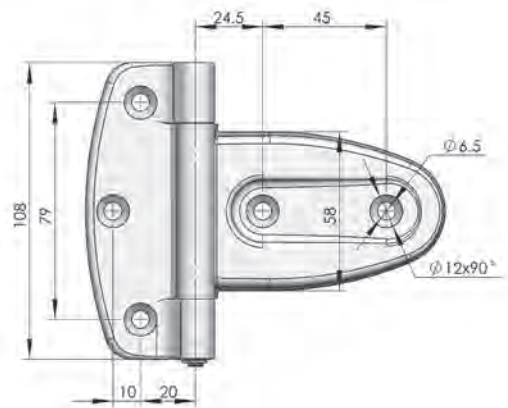
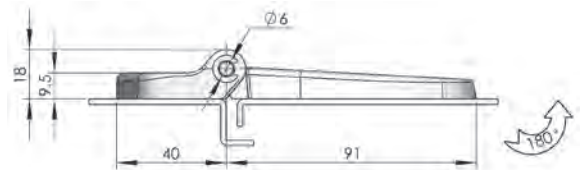
## 鉸鏈 · 塑膠材質

PA Hinge



CL-275-1

- 材質：PA 黑色 · 插銷 - 鋼鐵鍍鎳
- Material : PA66-black, Pin-steel, nickel plated
- 開啓角度：180°
- Opening angle : 180°
- 徑向載荷：700N
- Radial Load : 700N
- 軸向載荷：500N
- Axial Load : 500N

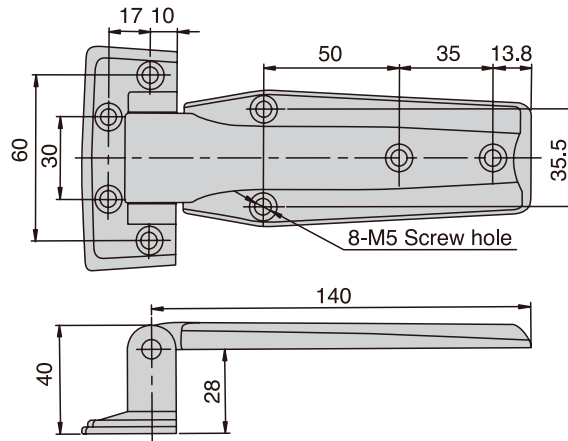


## 冷凍庫門鉸鏈

### Reach-in Door Hinge



- 材質：鋅合金
- Material : Zinc Alloy
- 表面處理：鍍鉻
- S.Tr : Bright chrome plated



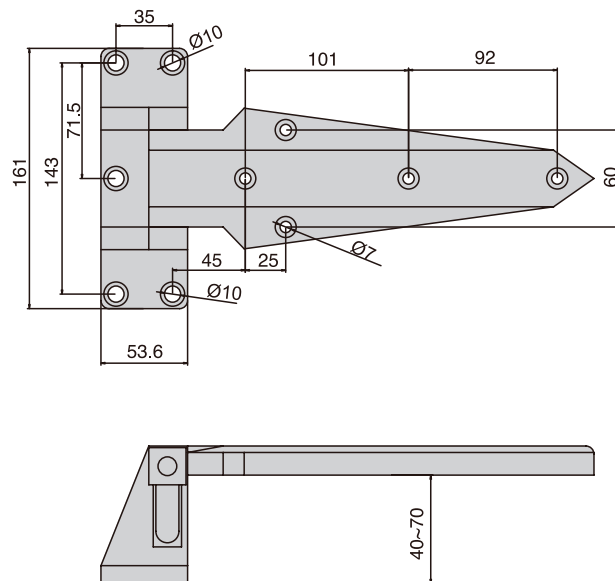
AH-712

## 冷凍庫門鉸鏈

### Reach-in Door Hinges



- 材質：鋅合金
- Material: Zinc Alloy
- 表面處理：鍍鉻
- S.Tr : Bright chrome plated
- 可調高度 · 適用於 40~70mm 厚門板



AH-1470



## 鋅合金鉸鏈 · 可微調型

### Adjustable Heavy Weight Hinge



CL-2821( 左 / L)



CL-2822( 右 / R)

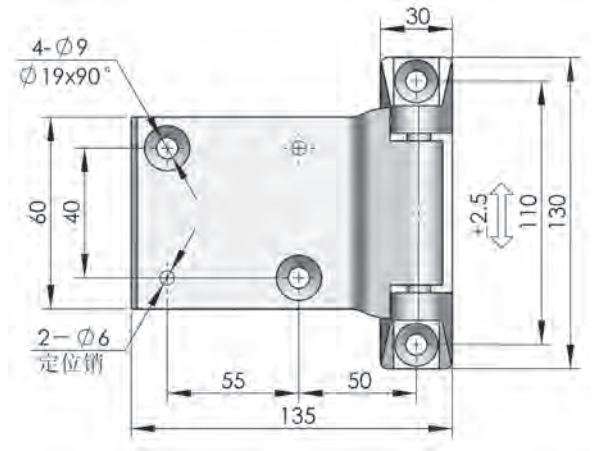


CL-2823( 左 / L)

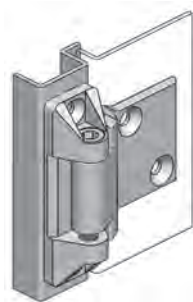
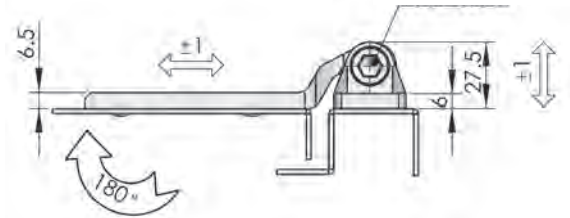


CL-2824( 右 / R)

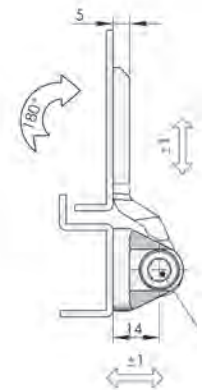
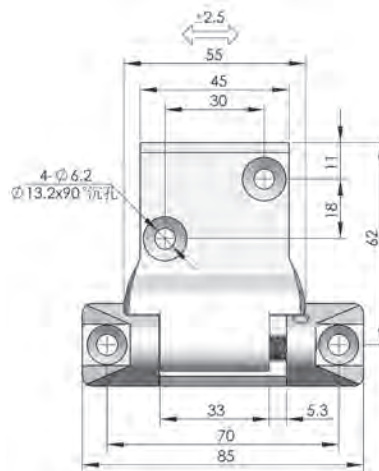
- 材質：本體 - 鋅合金、軸：不銹鋼 304
- Material : Body-Zinc alloy、Pin-Stainless Steel 304
- 調整轉軸 · 可以微調鉸鏈上下左右前後尺寸 (如示意圖)
- Adjustable Hinge Pin: Hinge position can be slightly adjusted in upward, downward, left, right, forward and backward position.



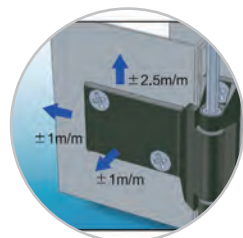
- CL-2821( 左 / L)  
CL-2822( 右 / R)  
徑向載荷: 1800N Radial Load : 1800N  
軸向載荷: 1500N Axial Load : 1500N



安裝示意圖



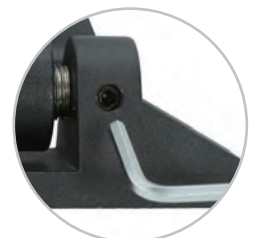
- CL-2823( 左 / L)  
CL-2824( 右 / R)  
徑向載荷: 1500N Radial Load : 1500N  
軸向載荷: 1300N Axial Load : 1300N



調整示意圖



調整鉸鏈片位移



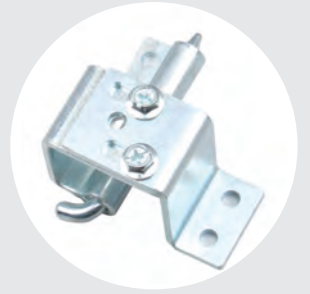
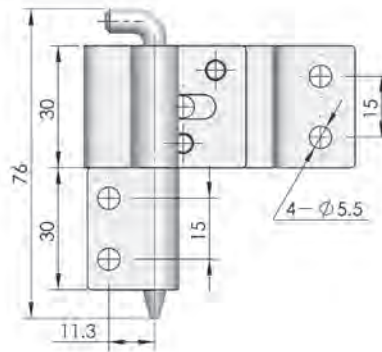
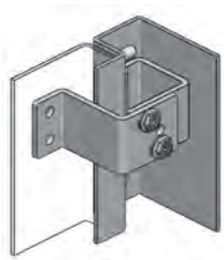
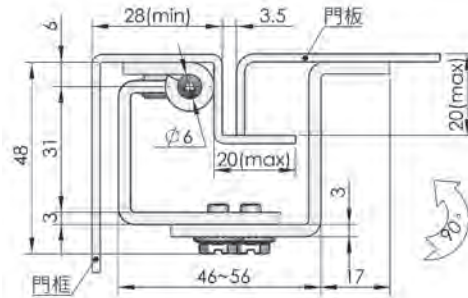
調整完成 · 鎖緊內六角孔固定

# 內部隱藏安裝

## Concealed Hinge



- 材質：鐵製 • Material : Steel
- 表面處理：鍍鋅 • S. Tr : Zinc Plated
- 可開啟角度 90° • Opening Angle 90°
- 徑向載荷：160N • Radial Load : 160N
- 軸向載荷：140N • Axial Load : 140N



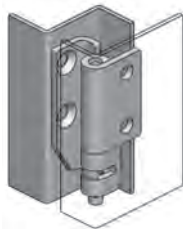
CL-128

# 可拆卸型

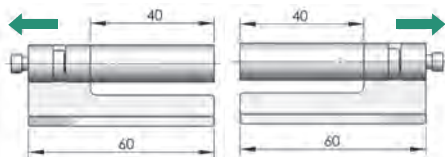
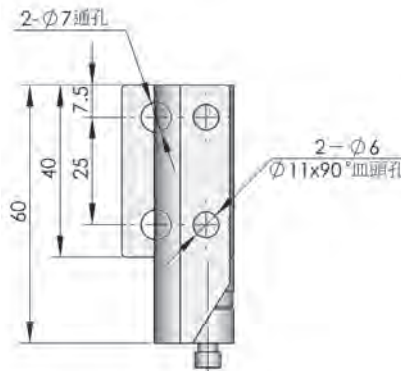
## Lift-off



- 材質：鐵製
- Material : Steel
- 表面處理：鍍鋅
- S. Tr : Zinc Plated
- 可開啟角度 135°
- Opening Angle 135°
- 徑向載荷：520N
- Radial Load : 520N
- 軸向載荷：375N
- Axial Load : 375N

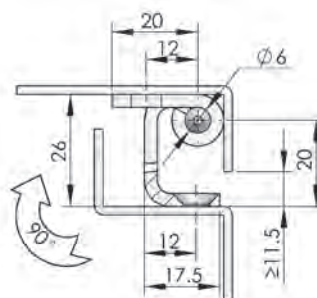


安裝示意圖



右鉸鏈

左鉸鏈



CL-137

型號 Item No	規格 .SPEC
CL-137-L	左開門 For Left Opening Door
CL-137-R	右開門 For Right Opening Door

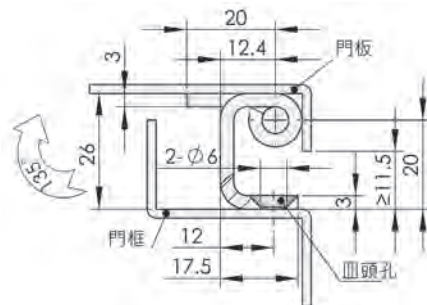
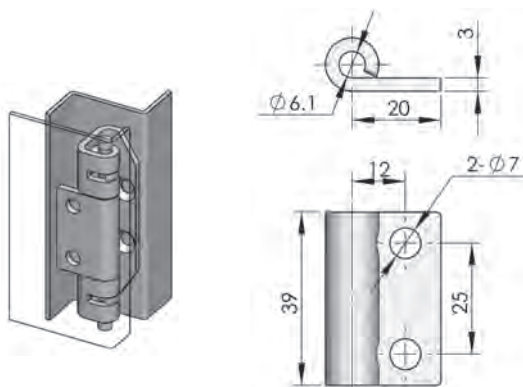
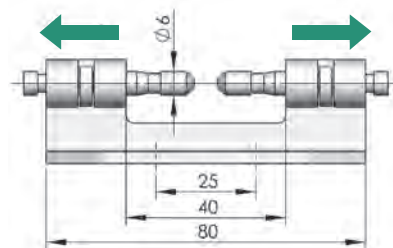
# 內部隱藏安裝 · 可拆卸型

## Concealed Hinge · Lift-off



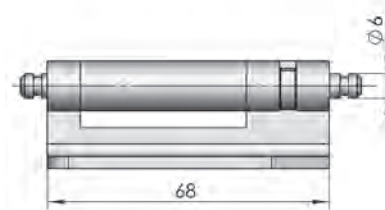
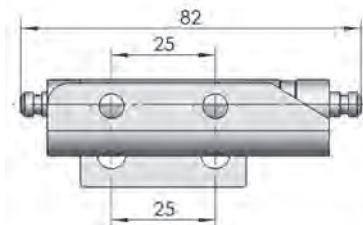
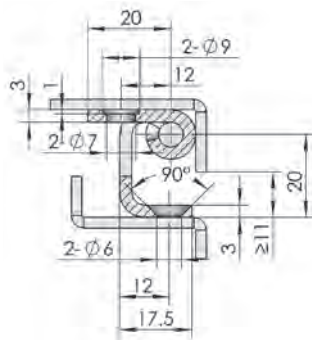
CL-138

- 材質：鐵製 • Material : Steel
- 表面處理：鍍鋅 • S. Tr : Zinc Plated
- 可開啟角度 135° • Opening Angle 135°
- 徑向載荷：690N • Radial Load : 690N
- 軸向載荷：630N • Axial Load : 630N



CL-138-3

- 材質：鐵製 • Material : Steel
- 表面處理：鍍鋅 • S. Tr : Zinc Plated
- 可開啟角度 90° • Opening Angle 90°
- 徑向載荷：385N • Radial Load : 385N
- 軸向載荷：600N • Axial Load : 600N



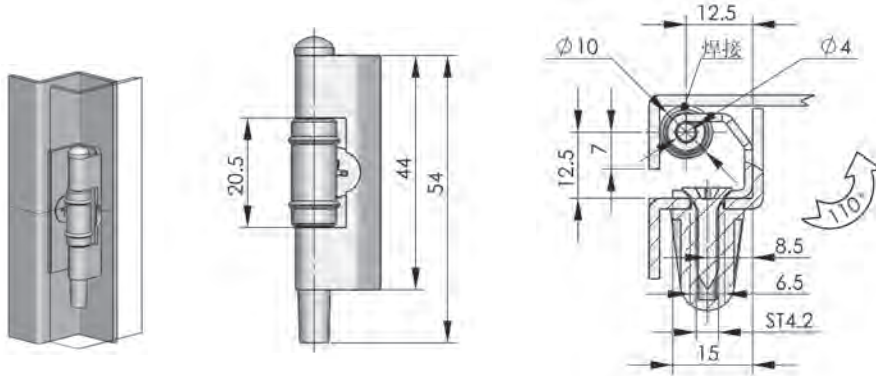
型號 Item No	規格 . SPEC
CL-138-3L	左開門 For Left Opening Door
CL-138-3R	右開門 For Right Opening Door

# 內部隱藏安裝 · 可拆卸型

## Concealed Hinge · Lift-off



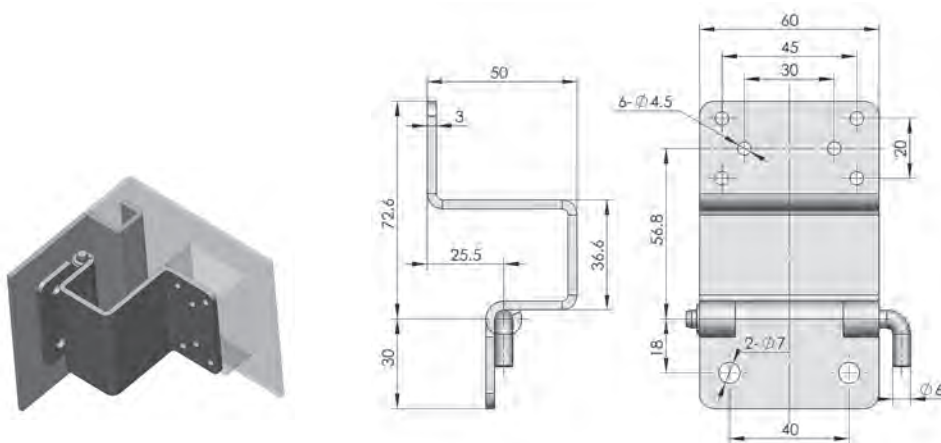
- 材質：鐵製
- Material : Steel
- 表面處理：鍍鋅
- S. Tr : Zinc Plated
- 可開啟角度 135°
- Opening Angle 135°
- 徑向載荷：215N
- Radial Load : 215N
- 軸向載荷：195N
- Axial Load : 195N



CL-139



- 材質：主體 - 鐵製 · 插銷 - 不銹鋼
- Material : Steel , Pin-Stainless Steel
- 表面處理：鍍鋅
- S. Tr : Zinc Plated
- 徑向載荷：500N
- Radial Load : 500N
- 軸向載荷：420N
- Axial Load : 420N



CL-181

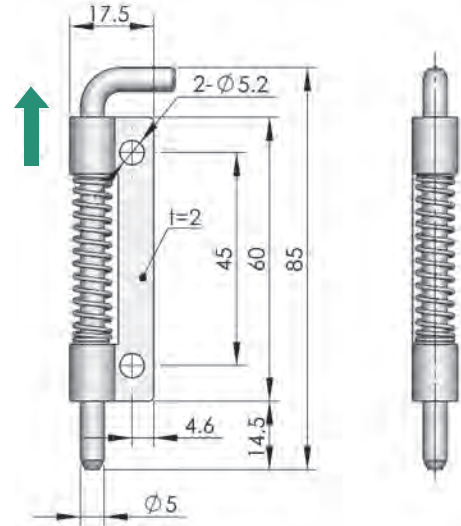
## 內部隱藏安裝

### Concealed Hinge



CL-225-3

- 材質：鐵製 • Material : Steel
- 表面處理：鍍鋅 • S. Tr : Zinc Plated
- 徑向載荷：150N • Radial Load : 150N
- 軸向載荷：250N • Axial Load : 250N



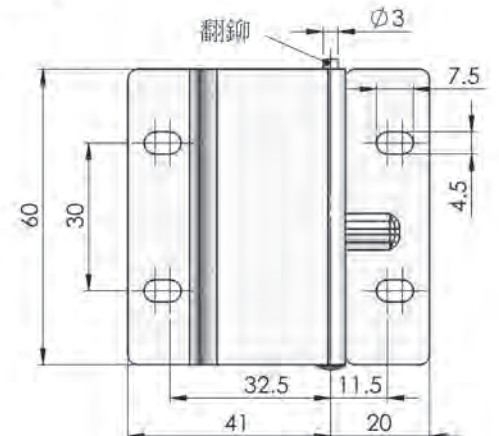
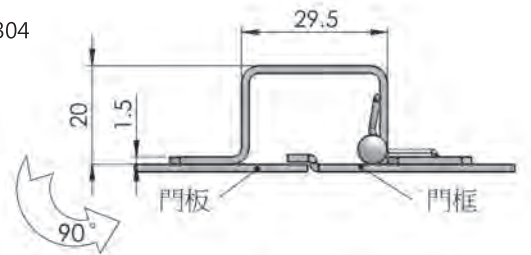
型號 Item No	規格 . SPEC
CL-225-3L	左開門 For Left Opening Door
CL-225-3R	右開門 For Right Opening Door



CL-173

## 隱藏安裝 · 自動復位

- 材質：不銹鋼 304 • Material : Stainless Steel 304
- 可開啟角度：90° • Opening Angle 90°
- 徑向載荷：180N • Radial Load : 180N
- 軸向載荷：75N • Axial Load : 75N
- 內置復位彈簧 • Spring loaded, Self closing.

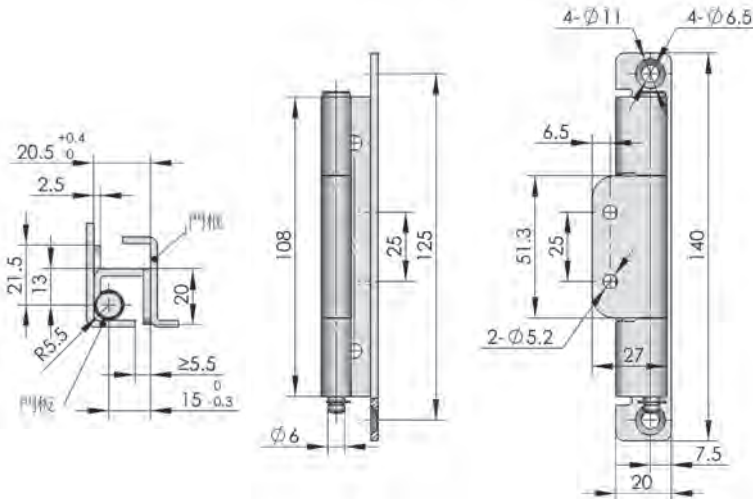


# 內部隱藏安裝

## Concealed Hinge



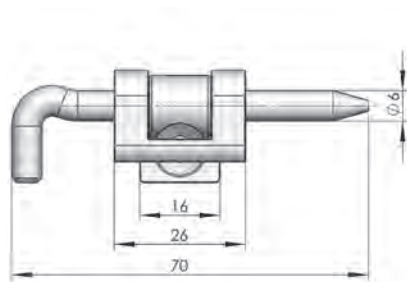
- 材質：不銹鋼
- 表面處理：電解
- 可開啟角度 120°
- 徑向載荷：660N
- 軸向載荷：800N
- Material: Stainless Steel
- S. Tr: Polished Finish
- Opening Angle 120°
- Radial Load: 660N
- Axial Load: 800N



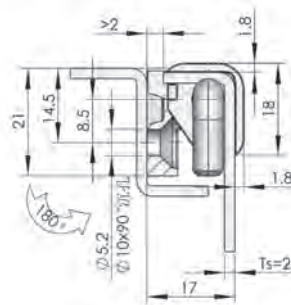
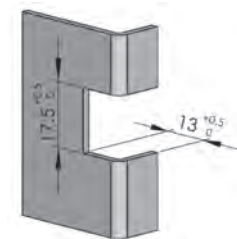
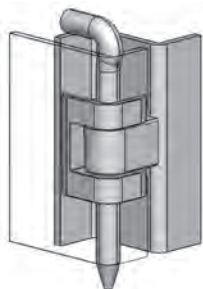
CL-186

# 轉角固定型 Corner mount Hinge

- 材質：鋅合金 - 鉸鏈 · 不銹鋼 - 插銷
- 表面處理：黑色塗裝
- 可開啟角度：180°
- 徑向載荷：405N
- 軸向載荷：805N
- 適用板厚：2mm
- Material: Hinge – Zinc Alloy, Pin – Stainless Steel
- S. Tr: Black Finish
- Opening Angle: 180°
- Radial Load: 405N
- Axial Load: 805N
- Panel thickness: 2mm



CL-104



## 內部隱藏安裝 · 重承載

### Concealed Hinge



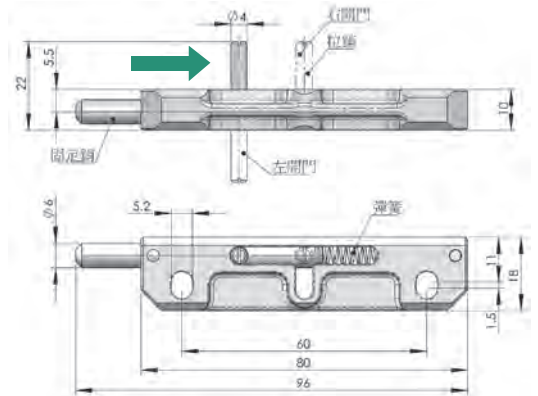
CL-106-L  
CL-106-R

- 材質：鋅合金·轉軸·彈簧 - 不銹鋼
- Material : Zinc Alloy with Stainless Steel Pin & Spring
- 軸向載荷：645N
- Axial Load : 645N



插銷內縮狀態

型號 Item No	規格 . SPEC
CL-106-L	左開門 For Left Opening Door
CL-106-R	右開門 For Right Opening Door

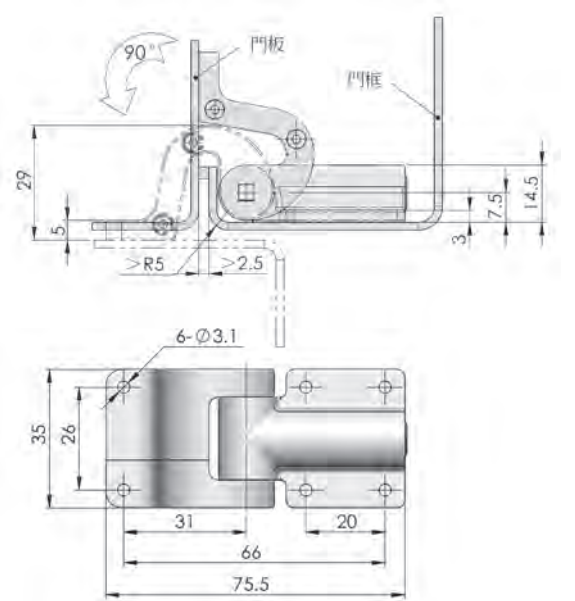


CL-195-3

- 材質：鋅合金
- Material : Zinc Alloy
- 表面處理：黑色塗裝
- S. Tr : Black Finish
- 可定位角度 90°
- Opening Angle 90°
- 徑向載荷：800N
- Radial Load : 800N
- 軸向載荷：650N
- Axial Load : 650N



門板關閉狀態

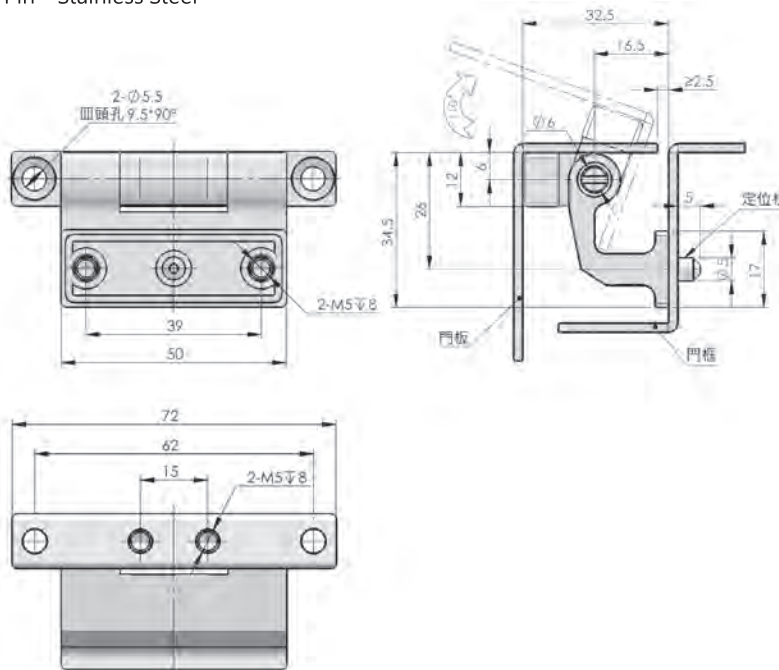


# 內部隱藏安裝 · 重承載

## Concealed Hinge



- 材質：鋅合金 - 鉸鏈 · 不銹鋼 - 插銷
- Material : Hinge – Zinc Alloy, Pin – Stainless Steel
- 表面處理：黑色塗裝
- S. Tr : Black Finish
- 可開啟角度：110°
- Opening Angle : 110°
- 徑向載荷：1180N
- Radial Load : 1180N
- 軸向載荷：1540N
- Axial Load : 1540N



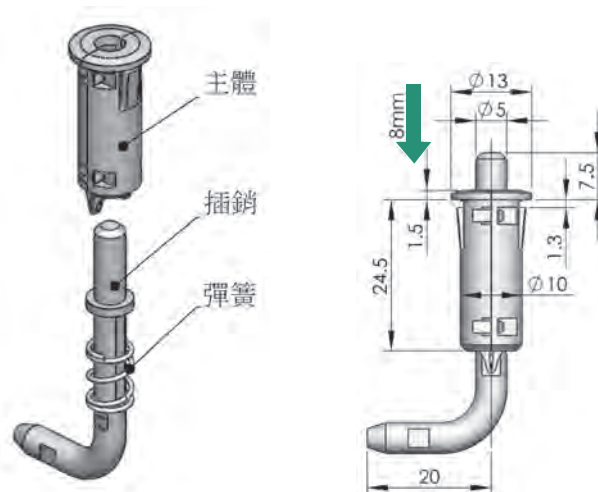
CL-237-4

# 可拆卸型

## Door removal



- 材質：主體 - PA(黑) · 插銷 - 鋅合金 · 彈簧 - 不銹鋼
- Material: Body – PA (Black), Pin – Zinc Alloy, Spring – Stainless Steel
- 表面處理：插銷 - 鍍鋅
- S. Tr : Pin – Zinc Plated
- 可伸縮 8mm
- Extendable Range 8mm



CL-225-5

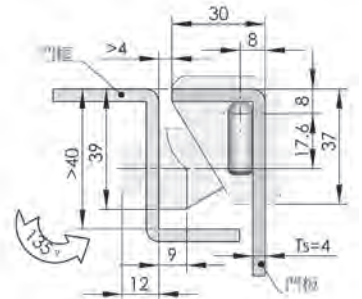
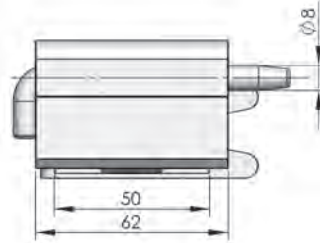
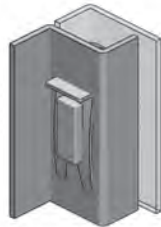
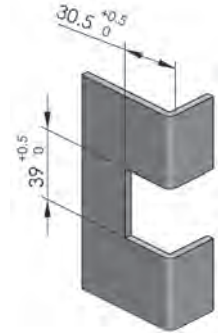
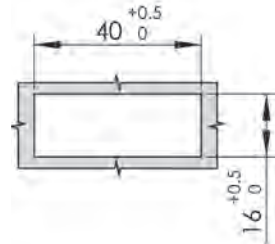
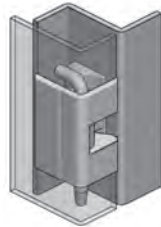
## 可拆卸型 · 快速安裝 · 重承載

Lift-Off Hinge · For Heavy-Duty Use



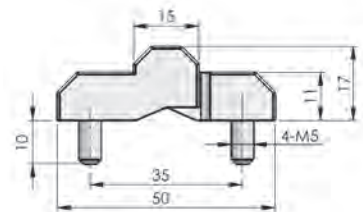
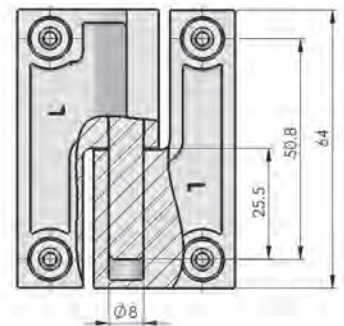
CL-154

- 材質：鉸鏈 - 鋅合金 · 插銷 - 不銹鋼
- 表面處理：噴漆 (藍灰)
- 可開啟角度 135°
- 徑向載荷：2500N
- 軸向載荷：2500N
- 適用板厚：4m/m
- Material : Hinge – Zinc Alloy, Pin – Stainless Steel
- S. Tr : Blue Grey Powder Coated
- Opening Angle 135°
- Radial Load : 2500N
- Axial Load : 2500N
- Panel thickness : 4m/m



CL-109-2

- 材質：鋅合金 · 插銷 - 不銹鋼
- Material : Zinc Alloy with Stainless Steel Pin
- 表面處理：黑色塗裝
- S. Tr : Matt Black Finish
- 徑向載荷：1800N
- Radial Load : 1800N
- 軸向載荷：1800N
- Axial Load : 1800N

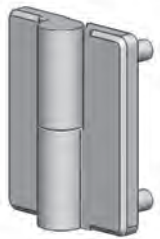


# 可拆卸型 · 重承載

Lift-Off Hinge · For Heavy-Duty Use



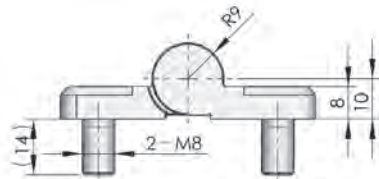
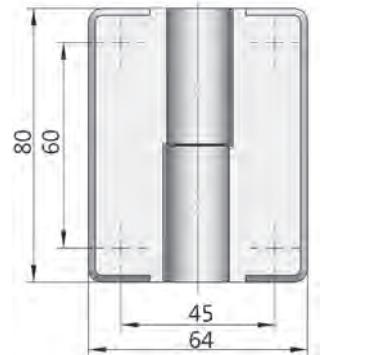
- 材質：鋅合金      • Material : Zinc Alloy
- 表面處理：黑色塗裝      • S. Tr : Matt Black Finish
- 徑向載荷：2500N      • Radial Load : 2500N
- 軸向載荷：2500N      • Axial Load : 2500N



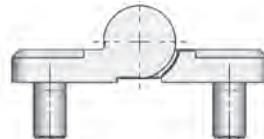
右開門



左開門



左鉸鏈 CL-109-L



右鉸鏈 CL-109-R

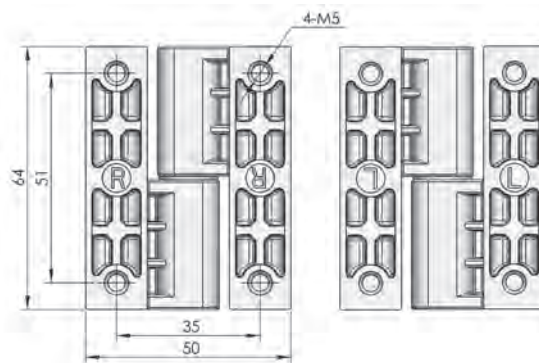
右鉸鏈	左鉸鏈
CL-109-R	CL-109-L



CL-109

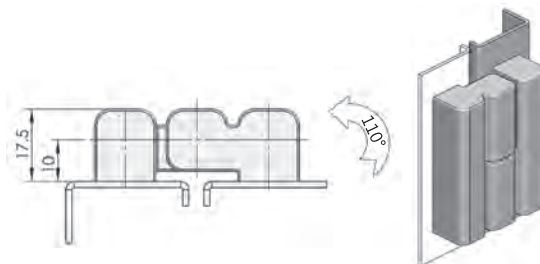


- 材質：鉸鏈 - 鋅合金 · 墊片 - PA
- Material : Hinge - Zinc Alloy, Gasket - PA
- 可開啟角度 110°
- Opening Angle 110°
- 徑向載荷：3300N
- Radial Load : 3300N
- 軸向載荷：880N
- Axial Load : 880N



右開門

左開門



圖示為 CL-2033-L

型號 Item No	規格 . SPEC
CL-2033-L	左開門 For Left Opening Door
CL-2033-R	右開門 For Right Opening Door

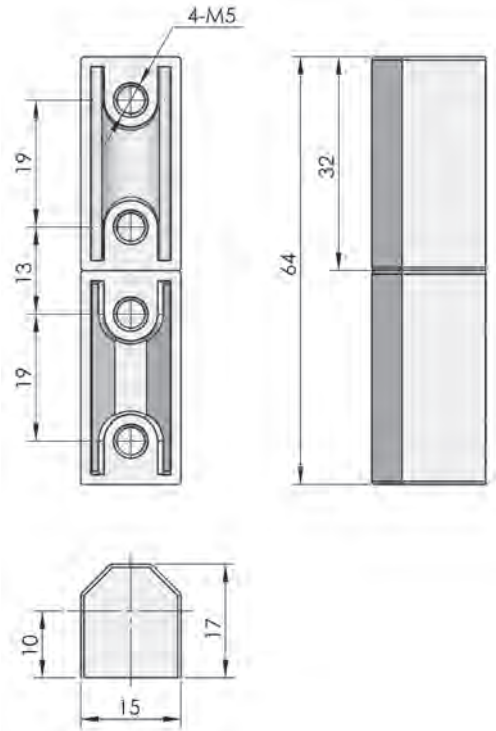
## 可拆卸型 · 鋅合金 · 轉角固定

### Lift-off Hinge



CL-203-2B

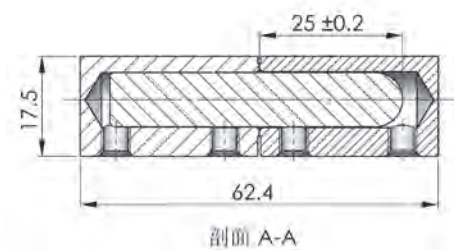
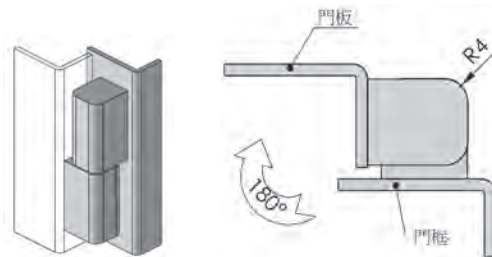
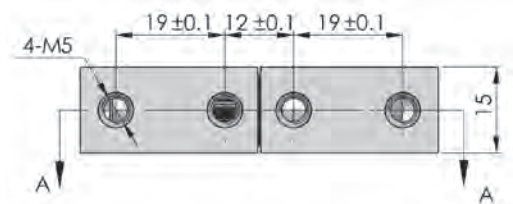
- 材質：鋅合金
- Material : Zinc Alloy
- 表面處理：鍍亮鉻
- S. Tr : Bright Chrome Finish
- 可開啟角度 :180°
- Opening Angle 180°
- 徑向載荷：600N
- Radial Load : 600N
- 軸向載荷 :1500N
- Axial Load : 1500N



CL-203-7

## 不銹鋼材質

- 材質：不銹鋼 304
- Material : Stainless Steel 304
- 表面處理：拉絲拋光
- S. Tr : Brush Polished Finish
- 可開啟角度 180°
- Opening Angle 180°
- 徑向載荷：1295N
- Radial Load : 1295N
- 軸向載荷：2240N
- Axial Load : 2240N

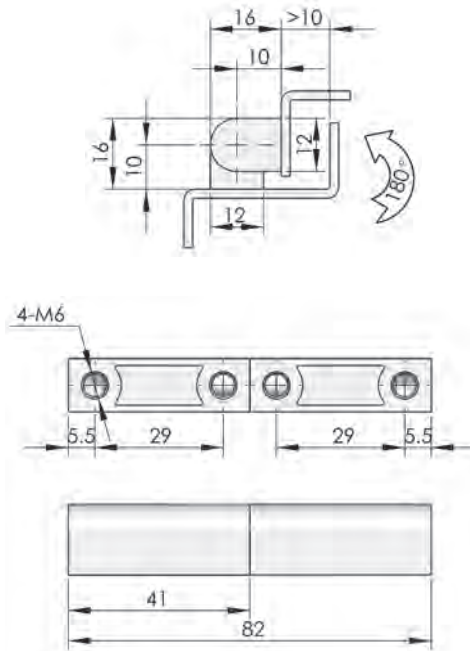
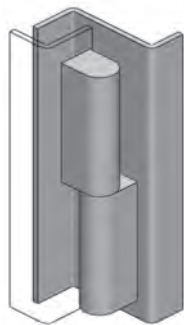


# 可拆卸型 · 鋅合金 · 轉角固定

Zinc Alloy . Lift-off Hinge



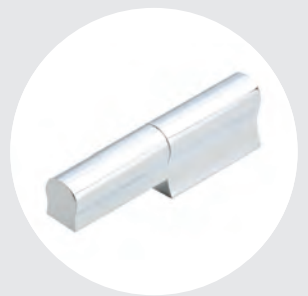
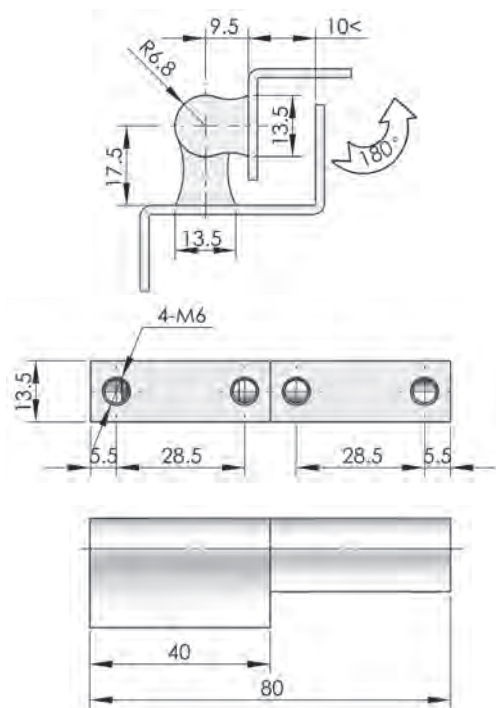
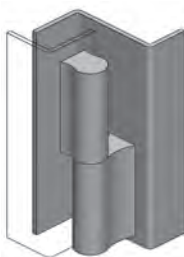
- 材質：鋅合金
- Material : Zinc Alloy
- 表面處理：鍍亮鉻
- S. Tr : Bright Chrome Finish
- 可開啟角度 :180°
- Opening Angle 180°
- 徑向載荷：1000N
- Radial Load : 1000N
- 軸向載荷 :1800N
- Axial Load : 1800N



CL-204-3C



- 材質：鋅合金
- Material : Zinc Alloy
- 表面處理：鍍亮鉻
- S. Tr : Bright Chrome Finish
- 可開啟角度 :180°
- Opening Angle 180°
- 徑向載荷：2150N
- Radial Load : 2150N
- 軸向載荷 :2630N
- Axial Load : 2630N



CL-204-3D

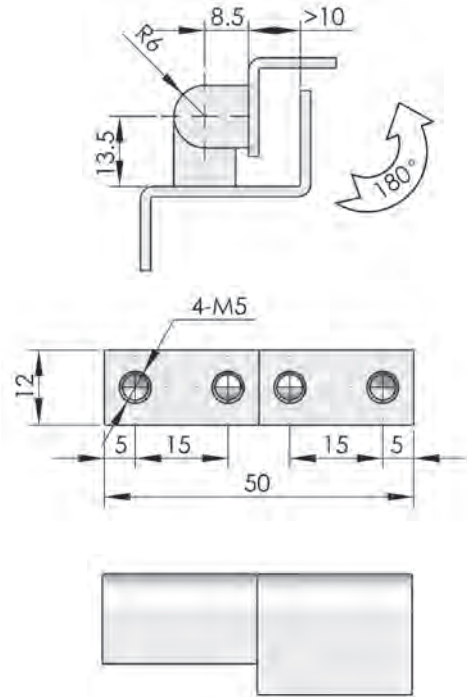
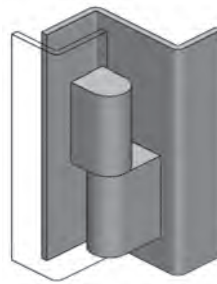
## 可拆卸型 · 鋅合金

### Zinc Alloy · Lift-off Hinge



CL-204-3F

- 材質：鋅合金
- Material : Zinc Alloy
- 表面處理：鍍亮鉻
- S. Tr : Bright Chrome Finish
- 可開啟角度 :180°
- Opening Angle 180°
- 徑向載荷：1500N
- Radial Load : 1500N
- 軸向載荷：2000N
- Axial Load : 2000N



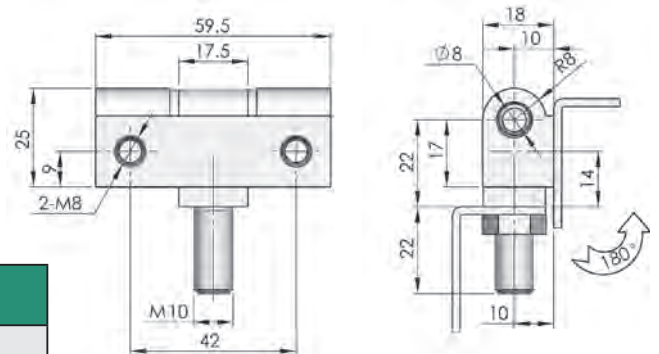
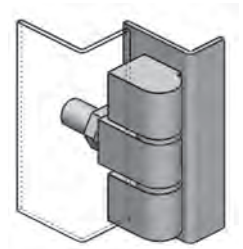
## 外部安裝，轉角固定

### Visible Hinge Corner Mount



CL-206-3BA

- 材質：鋅合金
- Material: Zinc Alloy
- 可開啟角度 180°
- Opening Angle 180°
- 徑向載荷：2000N
- Radial Load : 2000N
- 軸向載荷：1520N
- Axial Load : 1520N
- 鑲嵌螺絲最大扭緊扭矩：50N.m
- Embedded Screw Maximum Torque : 50N.m



型號 Item No	顏色 Color
CL-206-3BA	鍍亮光鉻 (標準品) Bright Chrome Finish
CL-206-3BB	黑色 (訂製)Black Finish

# 外部安裝 · 不銹鋼

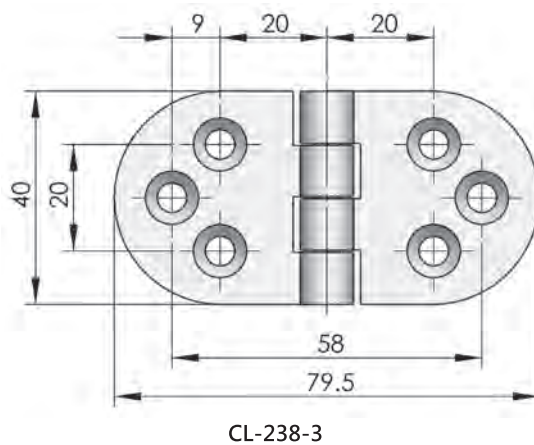
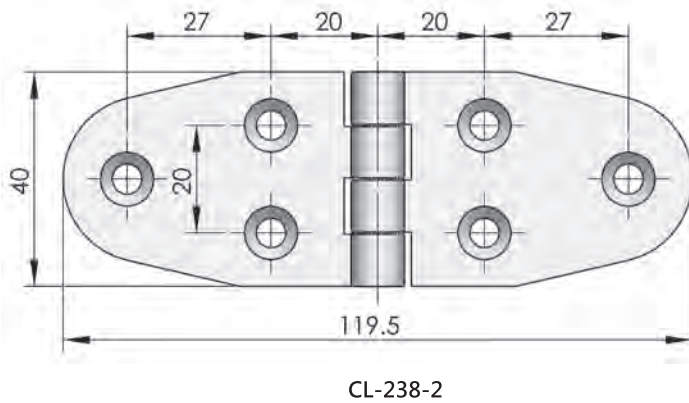
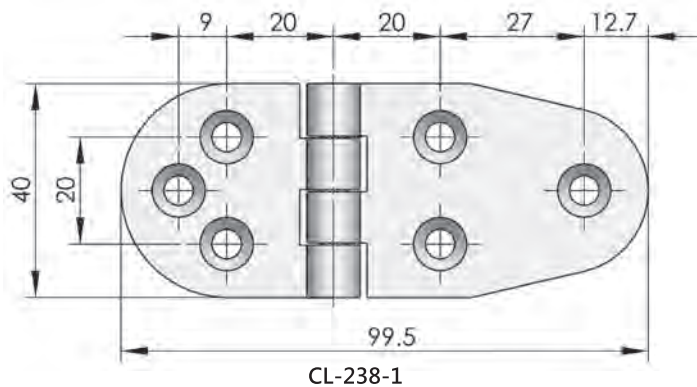
## Visible Hinge · Stainless Steel



鉸鏈

HINGES

- 材質：不銹鋼
- Material : Stainless Steel 304
- 表面處理：電解
- S. Tr : Polished Finish
- 可開啟角度 :180°
- Opening Angle 180°
- 徑向載荷 : 520N
- Radial Load : 520N
- 軸向載荷 : 600N
- Axial Load : 600N



CL-238-1



CL-238-2



CL-238-3

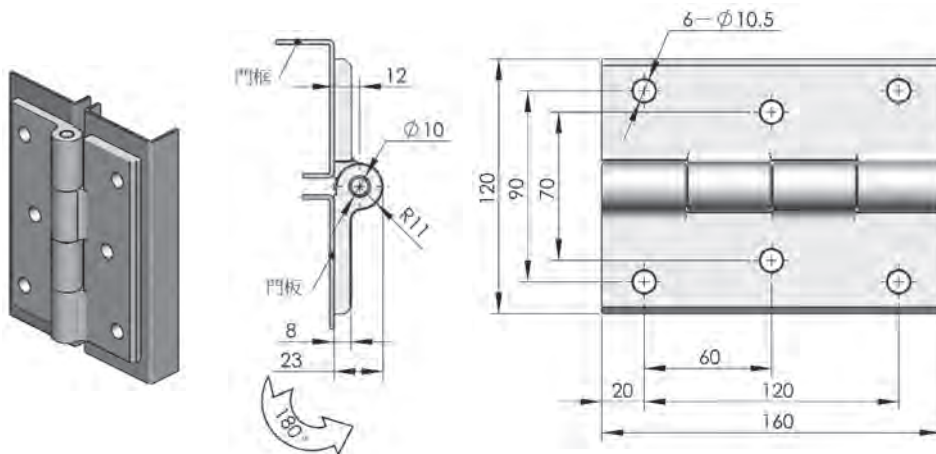
## 外部安裝 · 重承載

Visible Hinge · For Heavy-Duty Use



CL-226-8  
亞光銀色 SILVER

- 材質：鐵製 • Material : Steel
- 表面處理：奈米亞光銀色 • S. Tr: Matt Silver
- 可開啟角度 180° • Opening Angle 180°
- 徑向載荷：3000N • Radial Load : 3000N
- 軸向載荷：3000N • Axial Load : 3000N



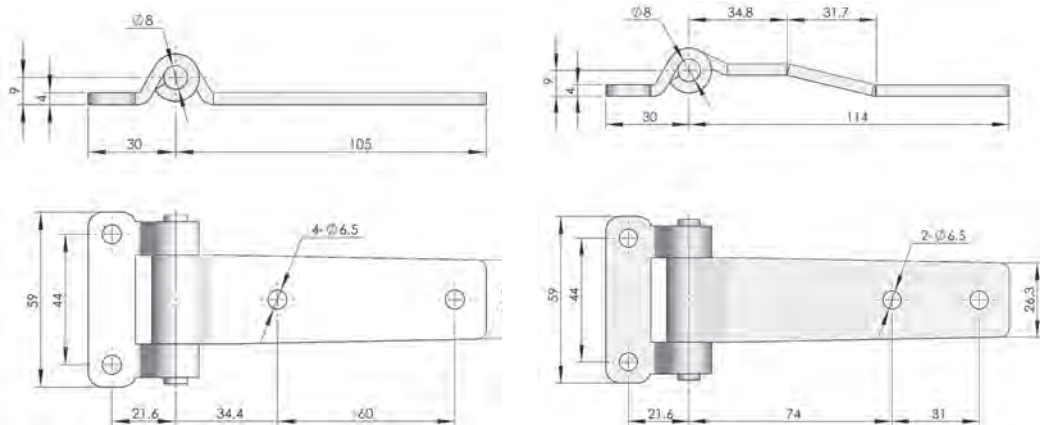
CL-127-1

## 不銹鋼 · 重承載

STAINLESS STEEL. HEAVY DUTY



- 材質：不銹鋼 304 • Material : Stainless Steel 304
- 表面處理：鏡面拋光 • S. Tr: Polished Finish
- 可開啟角度 180° • Opening Angle 180°
- 徑向載荷：3145N • Radial Load : 3145N
- 軸向載荷：3000N • Axial Load : 3000N



CL-127-1

CL-127-2

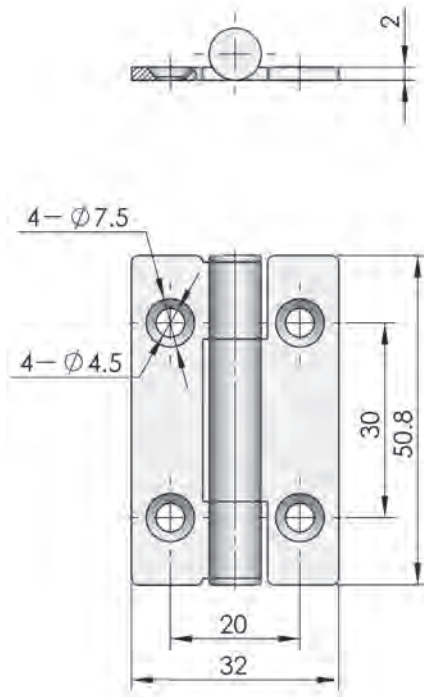
# 外部安裝 Visible Hinge



鉸鏈

HINGES

- 材質：不銹鋼
- 表面處理：電解
- 可開啟角度 180°
- 徑向載荷：620N
- 軸向載荷：1170N
- Material : Stainless Steel
- S. Tr : Electrolysis
- Opening Angle 180°
- Radial Load : 620N
- Axial Load : 1170N

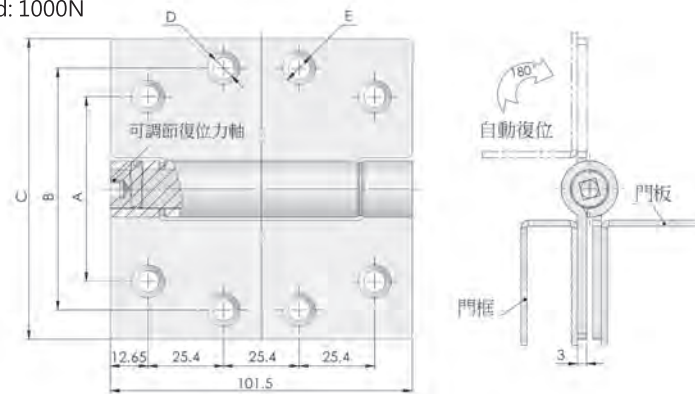


CL-152

# 自動復位 · 可調扭力 SELF-CLOSING. ADJUSTABLE TORQUE



- 材質：不銹鋼 304
- 表面處理：拉絲拋光
- 可開啟角度 180°
- 復位扭力：2N.m
- 軸向載荷：1500N
- 徑向載荷：1000N
- Material : Stainless Steel 304
- S. Tr : Brush Polished Finish
- Opening Angle 180°
- Self-Closing Torque : 2N.m
- Axial Load: 1500N
- Radial Load: 1000N



CL-158-4



CL-158-5

型號 Item No	規格 . SPEC				
	A	B	C	D	E
CL-158-4	62	81.2	101	Ø7.2	Ø10.5
CL-158-5	37	56.2	76	Ø6.6	Ø10

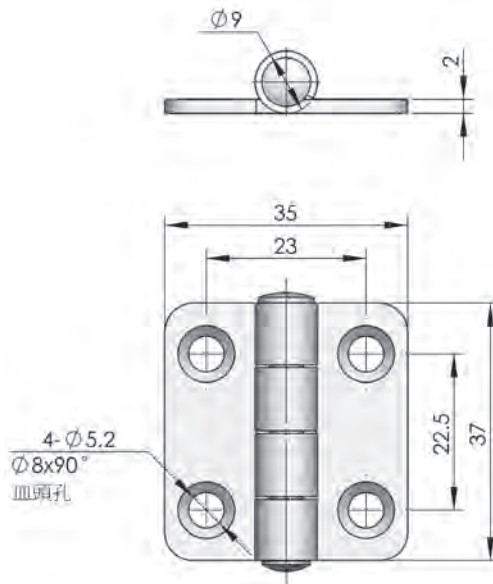
## 外部安裝 · 小型 · 重承載

### Visible Hinge · Small



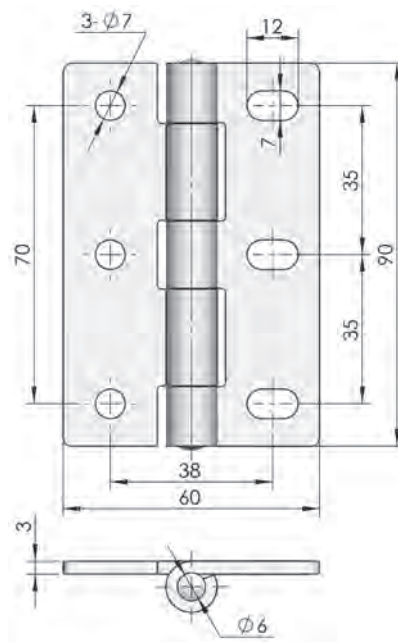
CL-253-1

- 材質：不銹鋼 304
- 表面處理：鏡面拋光
- 可開啟角度 180°
- 徑向載荷：745N
- 軸向載荷：1090N
- Material : Stainless Steel 304
- S. Tr : Polished Finish
- Opening Angle 180°
- Radial Load : 745N
- Axial Load : 1090N



CL-253-3

- 材質：不銹鋼 304
- 表面處理：鏡面拋光
- 可開啟角度 180°
- 徑向載荷：1500N
- 軸向載荷：1800N
- Material : Stainless Steel 304
- S. Tr : Polished Finish
- Opening Angle 180°
- Radial Load : 1500N
- Axial Load : 1800N

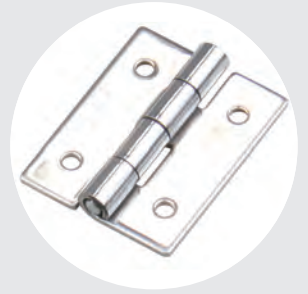
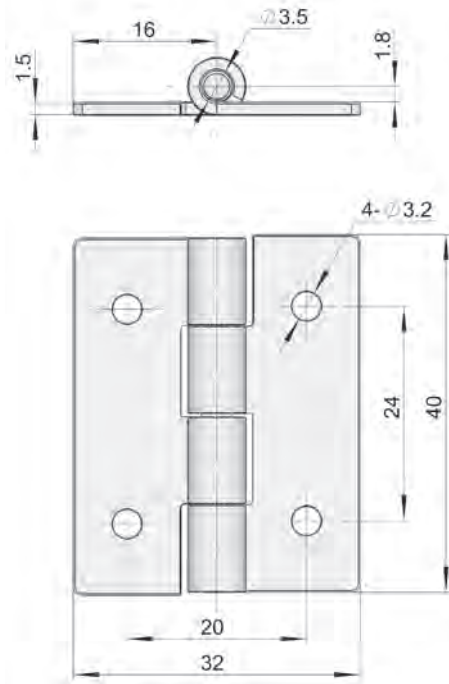


外部安裝型

Visible Hinge

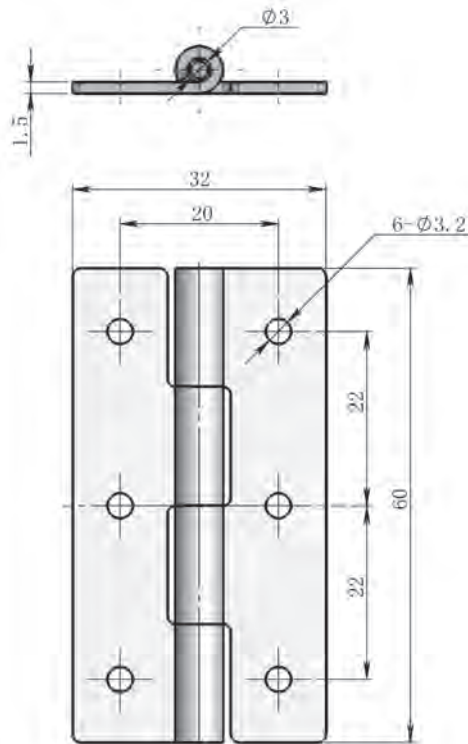


- 材質：不銹鋼 304
- 可開啟角度 180°
- 徑向載荷：340N
- 軸向載荷：600N
- Material : Stainless Steel 304
- Opening Angle 180°
- Radial Load : 340N
- Axial Load : 600N



CL-253-20

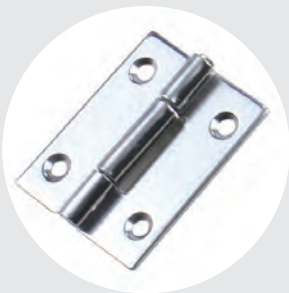
- 材質：不銹鋼 304
- 表面處理：鏡面拋光
- 可開啟角度 180°
- 徑向載荷：780N
- 軸向載荷：840N
- Material : Stainless Steel 304
- S. Tr : Polished Finish
- Opening Angle 180°
- Radial Load : 780N
- Axial Load : 840N



CL-253-26

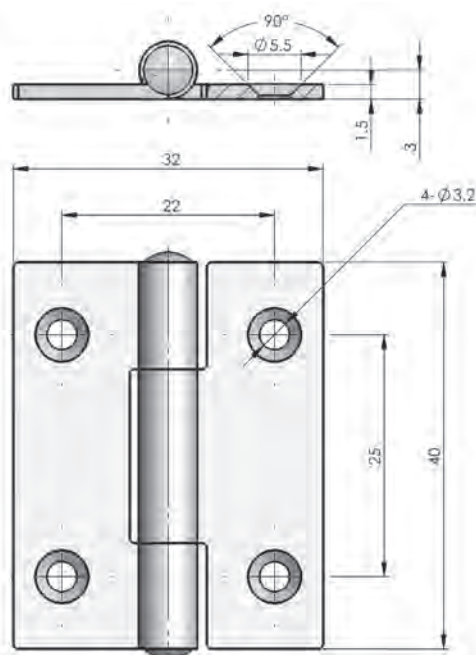
## 外部安裝

### Visible Hinge



CL-253-32-1

- 材質：不銹鋼 304
- 表面處理：鏡面拋光
- 可開啟角度 180°
- 徑向載荷：610N
- 軸向載荷：510N
- Material : Stainless Steel 304
- S. Tr : Polished Finish
- Opening Angle 180°
- Radial Load : 610N
- Axial Load : 510N



## 可拆卸型 · 內鉸鏈

### Concealed Hinge · Lift off



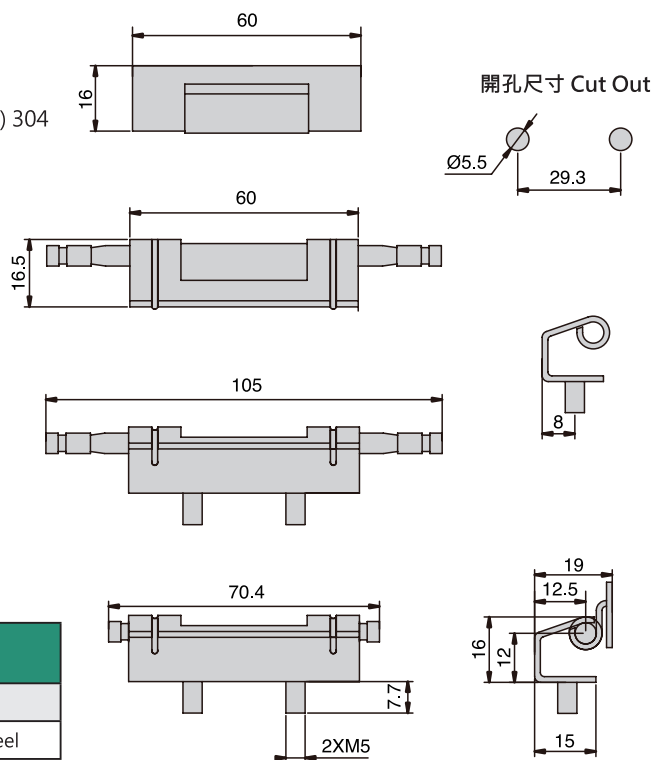
- 材質：鋼鐵及不銹鋼 304 兩種
- Material : Steel and Stainless steel (ST) 304
- 可快速拆卸 · 方便維修操作



CL-211-1( 鐵製 )



CL-211-2( 不銹鋼 )



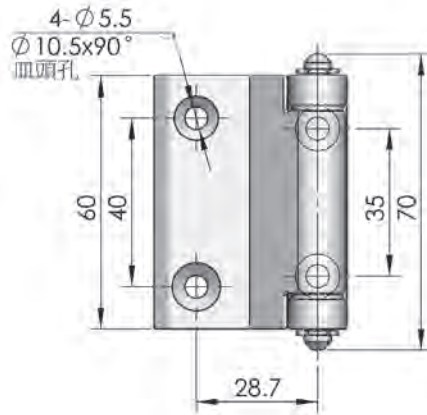
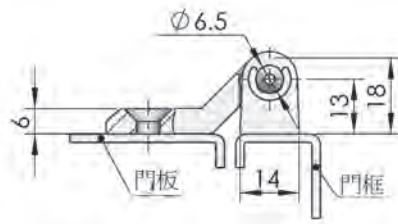
型號 Item No.	材質 Material
CL-211-1	鐵 Steel
CL-211-2	不銹鋼 Stainless steel

# 外部安裝

## Visible Hinge

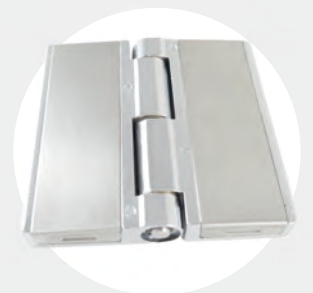
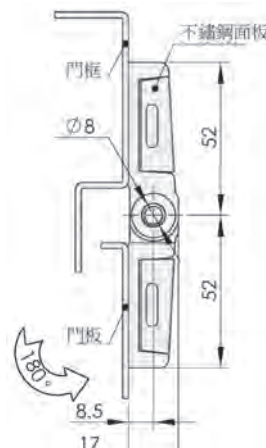
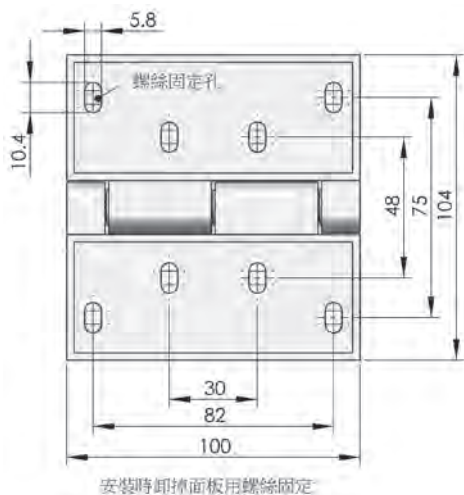
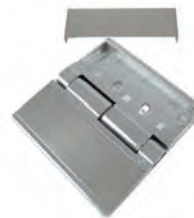


- 材質：鉸鏈 - 鋅合金 · 銷子 - 鐵製
- Material : Hinge – Zinc Alloy, Pin – Steel
- 表面處理：鉸鏈 - 噴塑 (黑淡光) · 銷子 - 鍍鋅
- S. Tr : Hinge-Black · Pin-Zinc plated
- 徑向載荷：980N
- Radial Load : 980N
- 軸向載荷：1500N
- Axial Load : 1500N



CL-121

- 材質：鉸鏈 - 鋅合金 · 轉軸、蓋子 - 不銹鋼
- Material : Hinge – Zinc Alloy, Pin & Cover – Stainless Steel
- 表面處理：噴砂鍍亮光鉻
- S. Tr : Sanded Bright Chrome Finish
- 可開啟角度 180°
- Opening Angle 180°
- 徑向載荷：1200N
- Radial Load: 1200N
- 軸向載荷：910N
- Axial Load: 910N



CL-251

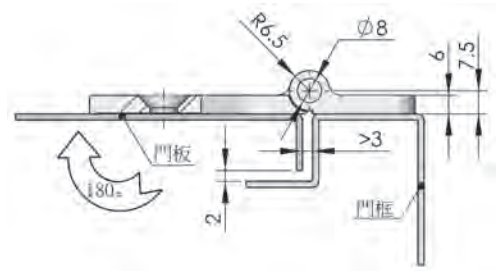
## 外部安裝

### Visible Hinge

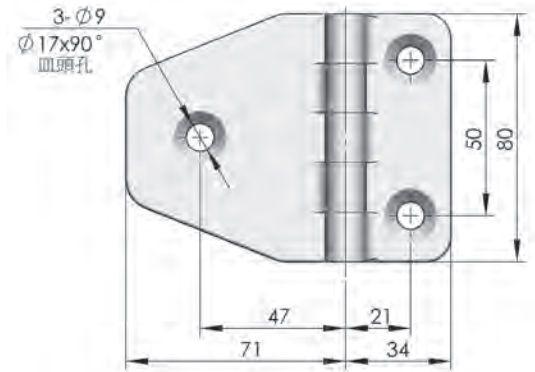
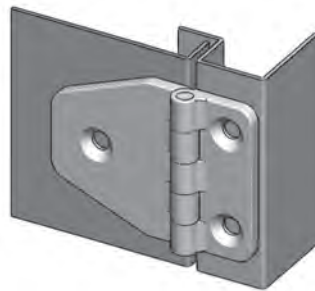


### PA 塑料

- 材質：鉸鏈頁 - PA (黑) · 轉軸 - 鐵製
- Material : PA · Pin-Steel
- 表面處理：鍍鋅 S. Tr : Zinc Plated
- 徑向載荷：220N Radial Load : 220N
- 軸向載荷：450N Axial Load : 450N

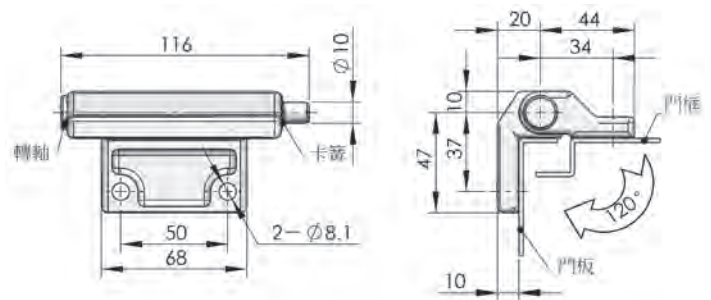


CL-148

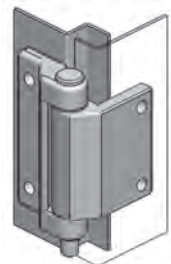
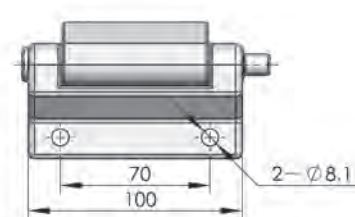


### 轉角固定，重承載

- 材質：鑄鋼
- Material : Cast Steel
- 表面處理：噴砂鍍鎳
- S. Tr : Sanded Nickel Plated Finish
- 可開啟角度 120°
- Opening Angle 120°
- 徑向載荷：3000N
- Radial Load : 3000N
- 軸向載荷：3000N
- Axial Load : 3000N



CL-293



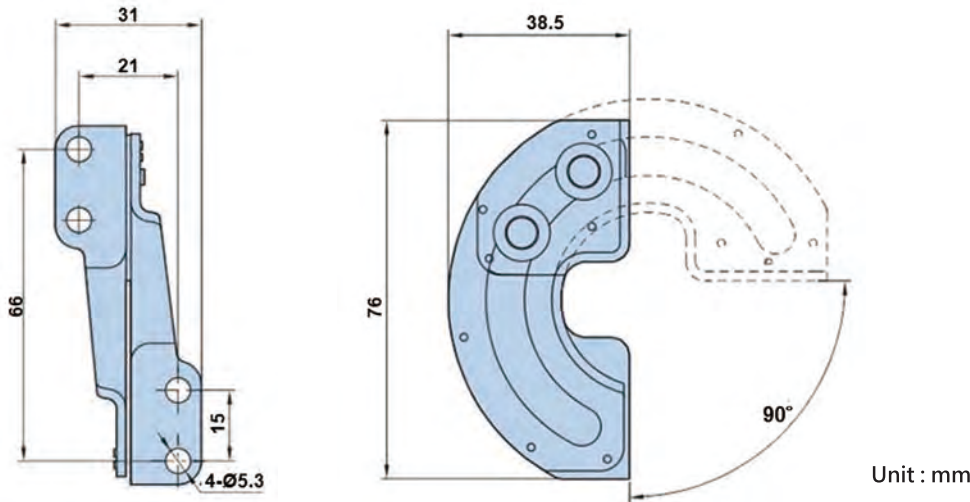
## 隱藏式鉸鏈 · 90 度開啟

Hidden hinge. Opening angle : 90 degree



- 材質及表面處理：鐵製、表面鍍鋅
- 性能：最大靜載荷：600N  
平均徑向極限載荷：400N  
最大軸向靜載荷：200N  
平均軸向極限載荷：190N
- 最大開啟角度：90 度，左開門或右開門可共用

- Material and surface treatment: Steel, zinc plated
- Performance : Maximum radial static load: 600N  
Average radial limit load : 400N Maximum axial static load : 200N Average axial limit load: 190N .
- Maximum opening angle : 90 degrees, the left door and the right door can be used.



CL-606



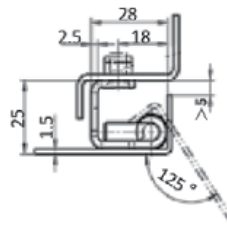
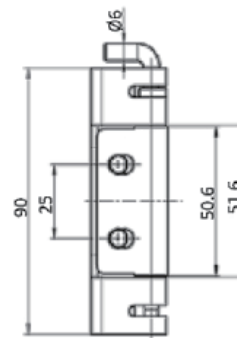
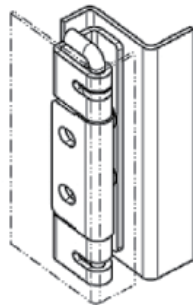
## 隱藏型不鏽鋼鉸鏈 · 快速拆卸

Hidden stainless steel hinges. Quick disassembly

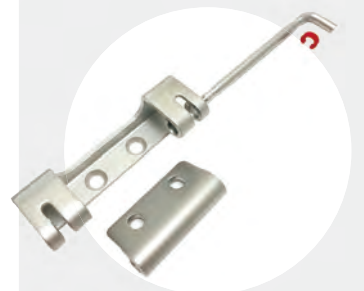


- 材質：主體 & 插銷 - 不鏽鋼 304；插銷固定環 - POM
- 左右邊門板可共用；最大開啟角度：125°  
可快速卸下門板，方便維修操作
- 建議使用 M6 沉頭螺絲及 M6 防鬆螺母安裝
- 徑向載荷：500N；軸向載荷：980N

- Material: body & bolt-stainless steel 304 ; bolt fixing ring-POM
- The left and right door panels can be shared
- Maximum opening angle : 125°
- The door panel can be quickly removed for eas maintenance and operation
- It is recommended to use M6 countersunk scre and M6 locknuts for installation
- Radial load : 500N
- Axial load : 980N



CL-240-03-304







## 側裝型不鏽鋼把手

### Stainless Steel U Handle.Side Mounting

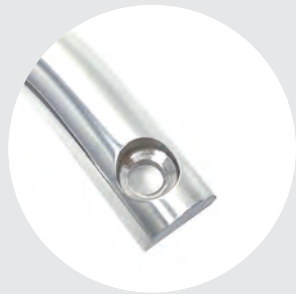
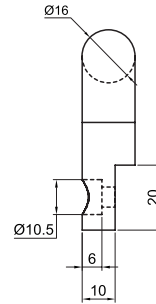
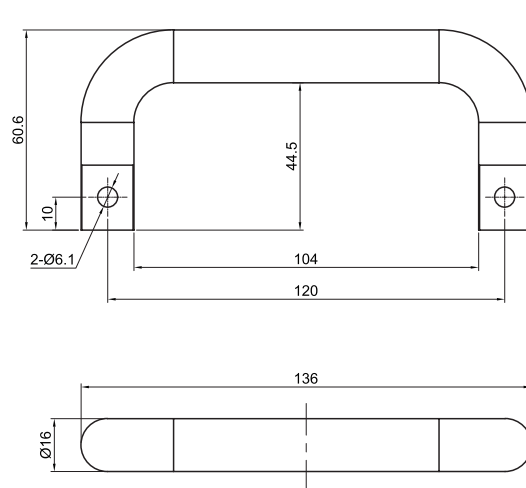


- 材質：不鏽鋼 304 鑄造
- 表面處理：鏡面拋光
- 最大靜載荷：960N
- 側面安裝把手 - 適用於：無塵室機台設備

- Material : stainless steel 304 casting
- S.Tr : grinding and polishing
- Maximum static load : 960N
- Side mounting handle-suitable for : clean room machine equipment



MS-NY-120-SS

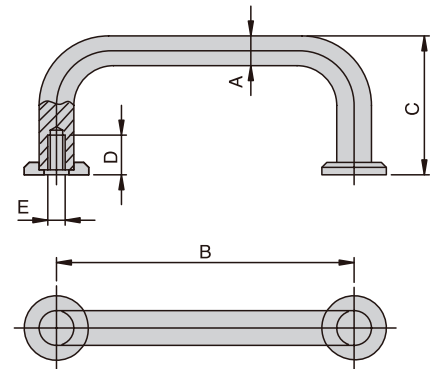


## 不鏽鋼把手

### Stainless Steel Handle

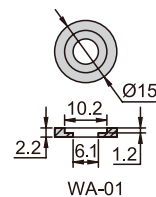


- 材質：不鏽鋼 304
- Material : stainless steel
- 墊片：不鏽鋼 (選配件)
- Washer : Stainless Steel (optional)
- 表面處理：振動研磨
- S.Tr : Vibration Polish



單位：(mm)

型號 Item No	A	B	C	D	E	單重 (g)
MS-742-10-88-SS	10	88	43	12	M5	91
MS-742-10-100-SS		100				98
MS-742-10-120-SS		120				109
MS-742-10-180-SS		180			146	M5
MS-742-10-200-SS		200			161	
MS-742-10-235-SS		235			183	



MS-742

# 不銹鋼 · 荷重型把手

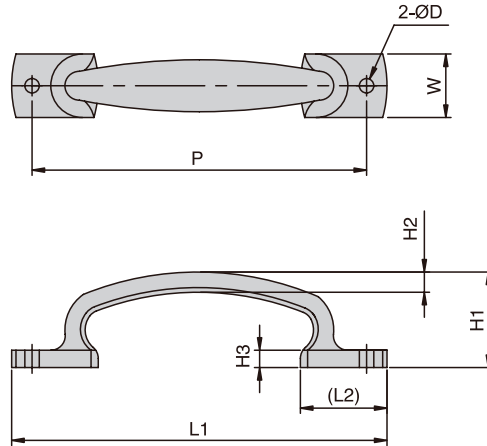
Stainless Steel · Handle



把手

HANDLES, PULLS

- 材質：不銹鋼 304
- Material : Stainless Steel 304
- 表面處理：鏡面拋光
- S.Tr: Bright polishing

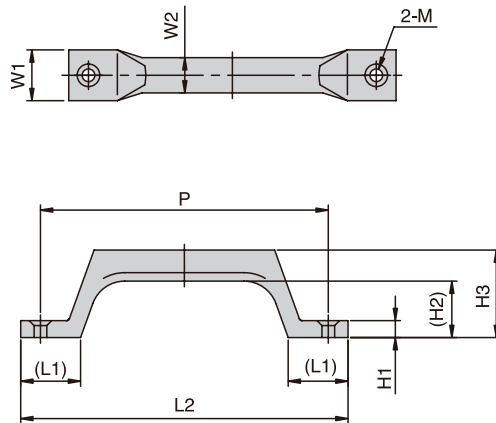


MS-768

## MS-768

單位 : (mm)

型號 Item No	Ø D	H1	H2	H3	L1	L2	P	W	荷重 (kg)
MS-768-1	6.5	34	7	6	145	35	125	25	400
MS-768-2	5.5	33	7	6	130	30	115	22	350
MS-768-3	5.5	30	6	5	120	29	105	20	300



MS-780

## MS-780

單位 : (mm)

型號 Item No	H1	(H2)	H3	(L1)	L2	M	P	W1	W2	荷重 (kg)
MS-780-1	9	30	46	30	220	M6	200	22	16	700
MS-780-2	9	30	46	30	170	M6	150	22	16	600
MS-780-3	6	20	32	23	116	M4	100	18	12	500
MS-780-4	6	20	32	20	96	M4	80	18	12	400

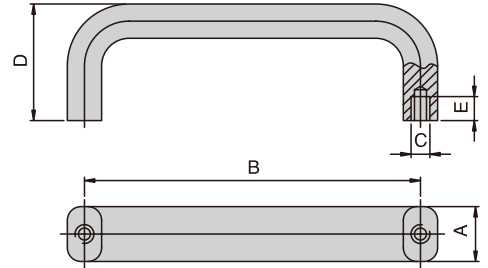
# 不銹鋼把手

Stainless Steel · Handle



MS-743

- 材質：不銹鋼 304
- Material: Stainless steel 304



單位:(mm)

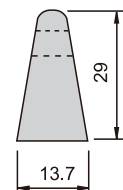
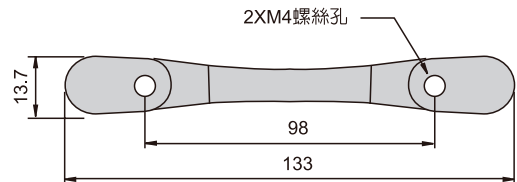
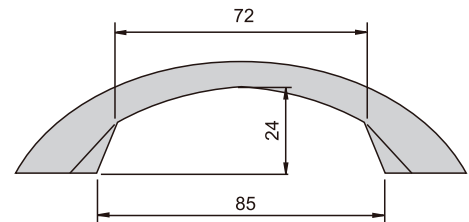
型號 Item No	A	B	C	D	E	單重 (g)
MS-743-112	20	112	M6	45	10	277
MS-743-117		117				285
MS-743-128		128				309



- 材質：不銹鋼 304
- Material : Stainless Steel 304
- 表面處理：鏡面拋光
- S.Tr : Bright polishing



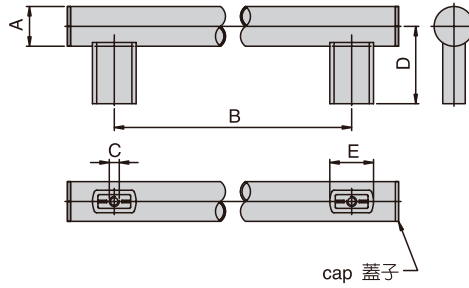
MS-770



# 不銹鋼管型把手

## Stainless Steel Tubular Handles

- 材質：圓管 - 不銹鋼
- Material : Round tube-Stainless steel
- 支座：尼龍加玻璃纖維、黑色
- Seat : Nylon fiberglass、Black
- 鋼螺栓：鍍鋅
- Steel bolt: Zinc plated
- 蓋子：黑色
- Cap : Black



單位:(mm)

型號 Item No	A	B	C	D	E
MS-737-3-200	31.8	200	M8	62	36
MS-737-3-250		250			
MS-737-3-300		300			
MS-737-3-400		400			
MS-737-3-500		500			
MS-737-3-600		600			
MS-737-3-918		918			

把手

HANDLES, PULLS

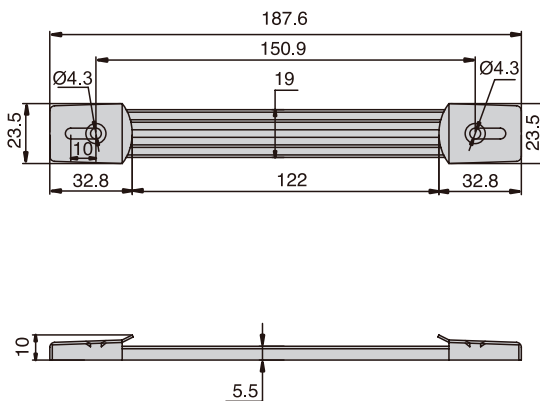


MS-737-3

# 外鎖型・提拉把手

## Pull Out Carrying Handle

- 材質：不銹鋼座、塑膠 (PVC) 取手、補強板 SK7 鋼鐵
- Material : Holder-Stainless steel、Handle-PVC wrapped around SK7 steel sheet



TSH-321-EC



TSH-326

## 外部鎖入型 · ABS 把手

Handle · ABS · Front install Concealed

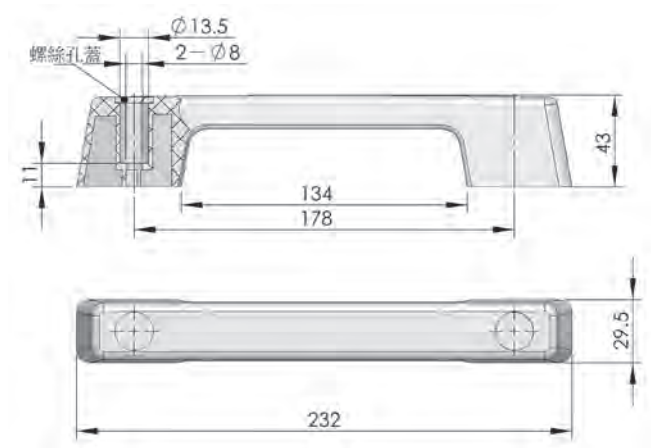


MS-521

- 材質：黑色 ABS
- Material: ABS, Black
- The screws are concealed by the resin cap
- 最大靜載荷：980N
- Maximum Static Load : 980N



附螺絲孔蓋



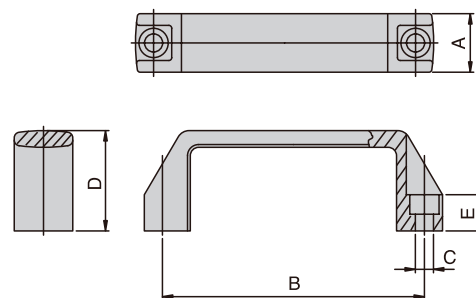
## 外部鎖入型 · 把手

Plastic Handle



MS-738

- 材質：尼龍加玻璃纖維
- Material : PA6+GF30%
- 表面處理：黑色
- S.Tr : Black



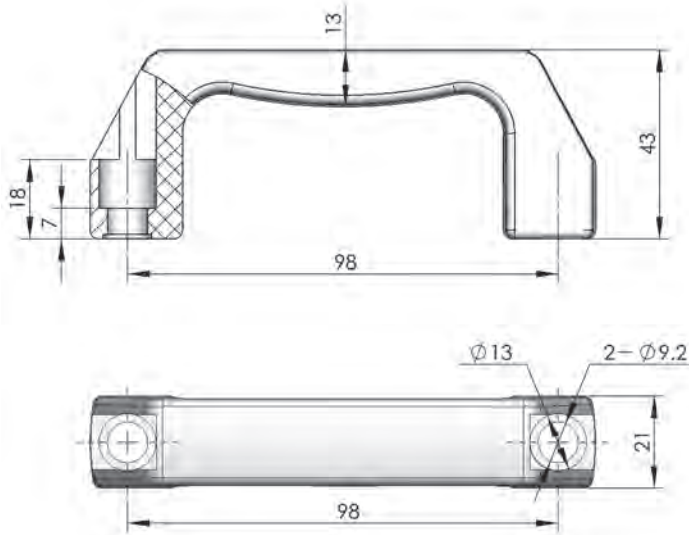
單位:(mm)

型號 Item No	A	B	C	D	E
MS-738-94	21	94	6.5	36	13
MS-738-117	26	117	8.5	41	15
MS-738-132	27	132		45	16
MS-738-179	28	179		50	17

## 外部鎖入型 · 塑膠把手

### Plastic Grab Handle

- 材質：ABS(黑色)
- Material：ABS(Black)
- 最大靜載荷：980N
- Maximum Static Load：980N

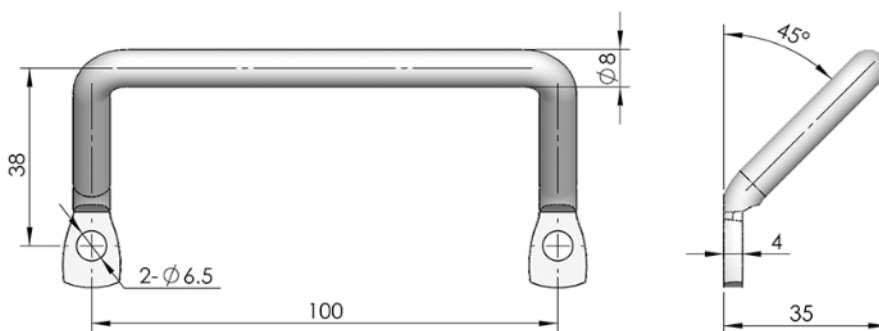


MS-520-98

## 斜面 U 型把手

### Beveled U-shaped handle

- 材質：鋼鐵
- 表面處理：鍍亮光鉻
- 最大靜載荷：2200N
- Material：carbon steel
- S.Tr：bright chrome plating
- Maximum static load：2200N



MS-531



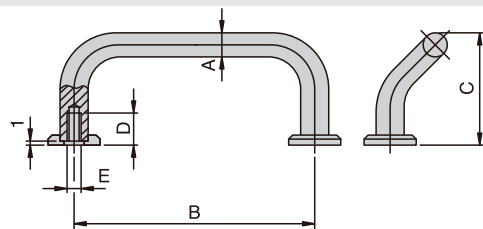
## 把手

### Steel Handle

- 材質：鋼鐵
- Material : Steel
- 墊片：鋼鐵
- Location Disc : Steel
- 表面處理：鍍亮鉻
- S.Tr : Bright Chrome Finish



MS-744



單位:(mm)

型號 Item No	A	B	C	D	E	單重 (g)
MS-744-88	10	88	46	12	M5	107
MS-744-100		100				116
MS-744-120		120				127

## 傾斜角度 · 鋁合金把手

### Aluminum Handle

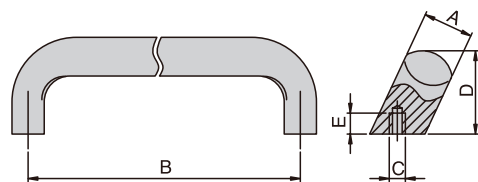
- 材質：鋁合金
- Material : Aluminum
- 表面處理：黑色烤漆、銀色
- S.Tr : Paint Black、Matt silver
- 訂購型號後方代碼 A 代表銀色 (Silver)  
B 代表黑色 (Black)



MS-745



訂購範例 Order exp:  
MS-745-26-128A 銀色 Silver  
MS-745-26-128B 黑色 Black



單位:(mm)

型號 Item No	A	B	C	D	E
MS-745-26-128A	26	128	M8	54	12
MS-745-26-128B					
MS-745-26-160A		160			
MS-745-26-160B					

## 外部鎖入型 · 鋁合金把手

### Aluminum Handles

- 材質：鋁合金
- Material : Aluminum
- 表面處理：黑色烤漆、銀色
- S.Tr : Paint Blacks、Matt silver
- 訂購型號後方代碼 1 代表黑色 (Black)  
2 代表銀色 (Silver)



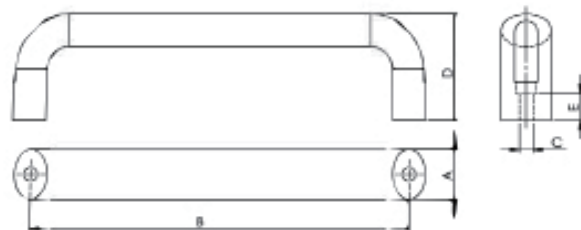
MS-746-1 (黑)



MS-746-2(銀)



訂購範例 Order exp:  
MS-746-1-116 黑色 Black  
MS-746-2-116 銀色 Silver



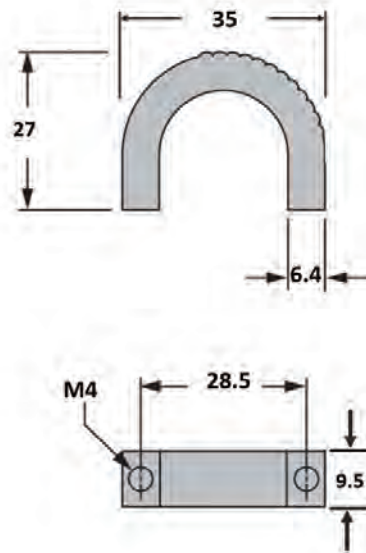
單位:(mm)

型號 Item No	A	B	C	D	E
MS-746-116	26	116	6.3	55	14
MS-746-132		132			
MS-746-164		164			
MS-746-196		196			

# 鋁合金把手

## Aluminum Grab Handle

- 材質：鋁合金
- Material : Aluminum Alloy
- 表面處理：烤漆黑色或是銀色
- S.Tr : Black or Silver coated
- 適用於 1U 機箱前面板

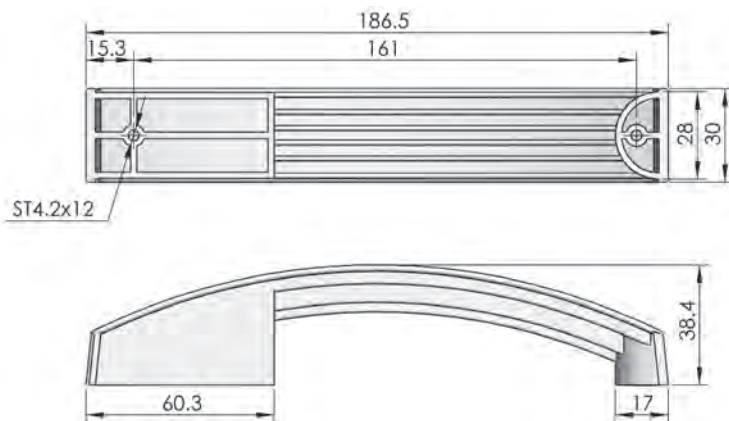


MS-B5-001

型號 Item No.	表面 S.Tr
MS-B5-001	黑 Black
MS-B5-001A	銀色 Silver

# PC 塑料

- 材質：PC (灰色)
- Material : PC Grey Finish
- 最大靜載荷：500 N
- Maximum Static Load : 500N



MS-532

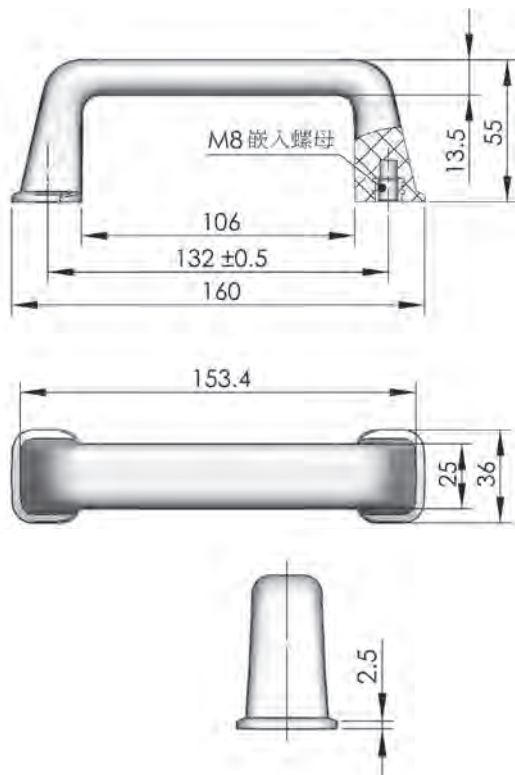
## 塑膠把手 · PP

### Plastic Grab Handle

- 材質：PP(黑色)
- Material：PP(Black)
- 最大靜載荷：650N
- Maximum Static Load：650N



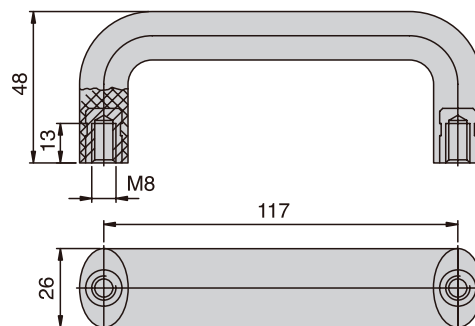
MS-505-132



MS-741



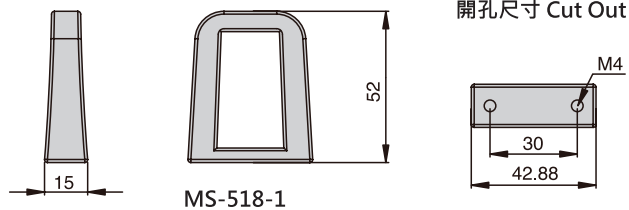
- 材質：尼龍加玻纖
- Material：PA6+GF30
- 螺栓：銅
- Bolt：Copper
- 表面處理：黑色
- S.Tr：Black finish



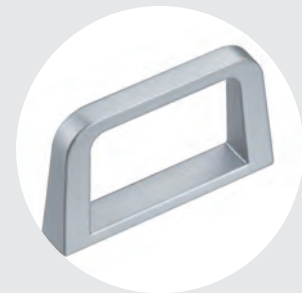
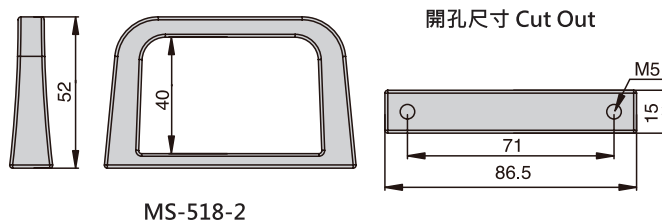
# 鋅合金把手

## Zinc Alloy Grab Handle

- 材質：鋅合金
- Material : Zinc Alloy
- 表面處理：銀灰塗裝
- S.Tr : Gray powder coated
- 適用於 1U&2U 機箱前面板
- 最大靜載荷：1500N
- Maximum Static Load : 1500N

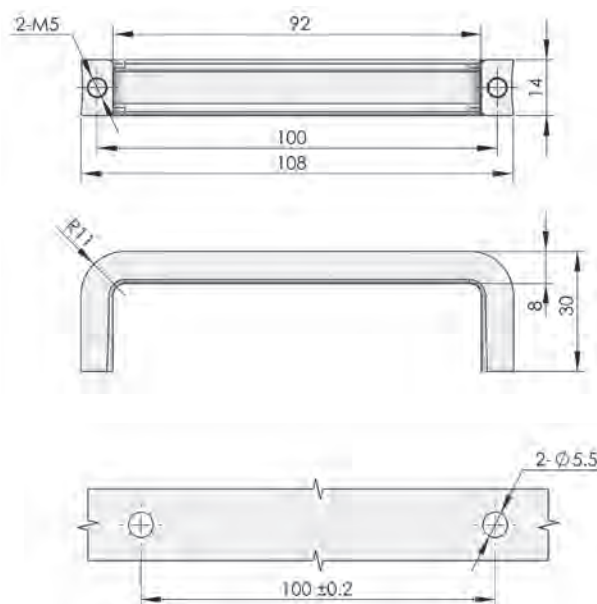


MS-518-1



MS-518-2

- 材質：鋅合金
- Material : Zinc Alloy
- 表面處理：電鍍亮鉻
- S.Tr : Bright chrome plated
- 可訂製亞光銀色表面
- 最大靜載荷：1500N
- Maximum Static Load : 1500N

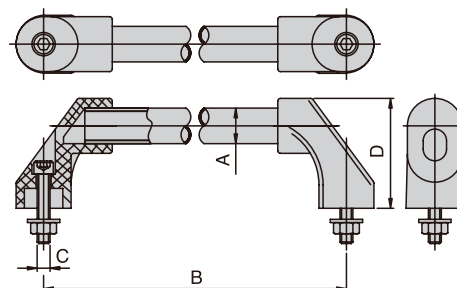


MS-747

## 管型把手 · 外部鎖入型

### Handle (tubular type) · Front install

- 材質：圓管 - 鋁合金
- Material : Round bar-Aluminum (AL)
- 支座：尼龍加玻璃纖維、黑色
- Seat : Nylon and glass fiber、Black
- 鋼螺栓：鋼鐵、染黑
- Steel bolt : Steel、Dyed black
- 表面處理：銀色、黑色
- S.Tr : Matt silver、Black
- 訂購型號後方代碼 +B 代表黑色手柄



單位:(mm)

型號 Item No	A	B	C	D
MS-737-1-A-200	30	200	M10	80
MS-737-1-A-300		300		
MS-737-1-A-350		350		
MS-737-1-A-400		400		
MS-737-1-A-500		500		
MS-737-1-A-600		600		
MS-737-1-A-700		700		

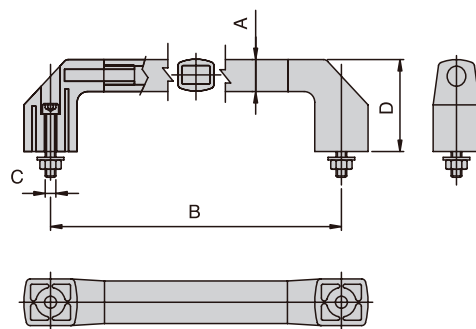


MS-737-1-A



訂購範例 Order exp:  
MS-737-1-A-200 銀色手柄 (Silver)  
MS-737-1-A-200B 黑色手柄 (Black)

- 材質：方管 - 鋁合金
- Material : Square tube-Aluminum
- 支座：尼龍加玻璃纖維、黑色
- Seat : Nylon and glass fiber、Black
- 鋼螺栓：鋼鐵、染黑
- Steel bolt : Steel、Dyed black
- 表面處理：銀色、黑色
- S.Tr : Matt silver、Black
- 訂購型號後方代碼 +B 代表黑色手柄



單位:(mm)

型號 Item No	A	B	C	D
MS-737-1-B-180	24X27	180	M8	69
MS-737-1-B-200		200		
MS-737-1-B-250		250		
MS-737-1-B-300		300		
MS-737-1-B-350		350		
MS-737-1-B-400		400		
MS-737-1-B-500		500		
MS-737-1-B-600		600		
MS-737-1-B-700		700		



MS-737-1-B

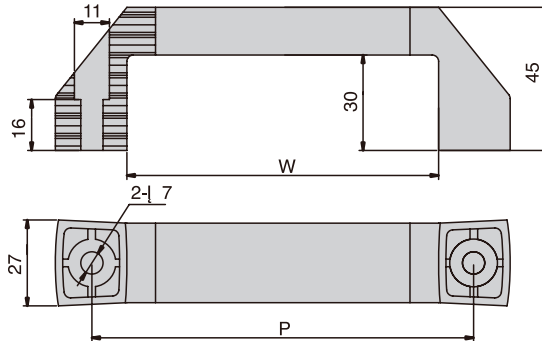


訂購範例 Order exp:  
MS-737-1-B-180 銀色手柄 (Silver)  
MS-737-1-B-180B 黑色手柄 (Black)

## 管型把手 · 外部鎖入型

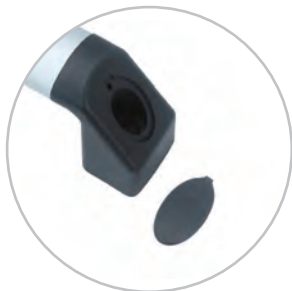
Handle (tubular type) · Front install Concealed

- 材質：圓管 - 鋁合金
- Material: Round ber-Aluminum(AL)
- 支座：尼龍加玻璃纖維、黑色
- Seat : Nylon and glass fiber 、 Black
- 表面處理：銀色
- S.Tr: Matt silver



單位:(mm)

型號 Item No.	P	W	loading
MS-737-1-D-120	120	100	53Kg
MS-737-1-D-140	140	120	42Kg
MS-737-1-D-170	170	150	38Kg



附螺絲孔蓋

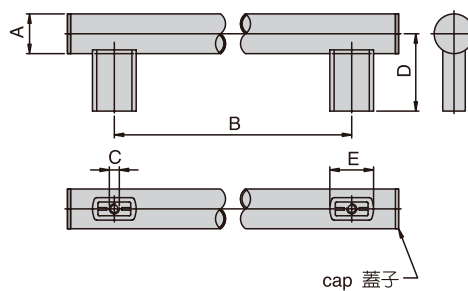
MS-737-1D



## 鋁合金管型把手

Aluminum Tubular Handle

- 材質：圓管 - 鋁合金
- Material : Round tube-Aluminum
- 支座：尼龍加玻璃纖維、黑色
- Seat : Nylon and glass fiber 、 Black
- 鋼螺栓：鍍鋅
- Steel bolt : Zinc plated
- 蓋子：黑色
- Cap : Black
- 表面處理：銀色
- S.Tr: Matt silver



單位:(mm)

型號 Item No	A	B	C	D	E	單重 (g)
MS-737-2-200	30	200	M8	60	35	81
MS-737-2-250		250				114
MS-737-2-300		300				231
MS-737-2-400		400				294
MS-737-2-500		500				354
MS-737-2-600		600				480



MS-737-2



# 鋁合金把手

## Aluminum Grab Handle

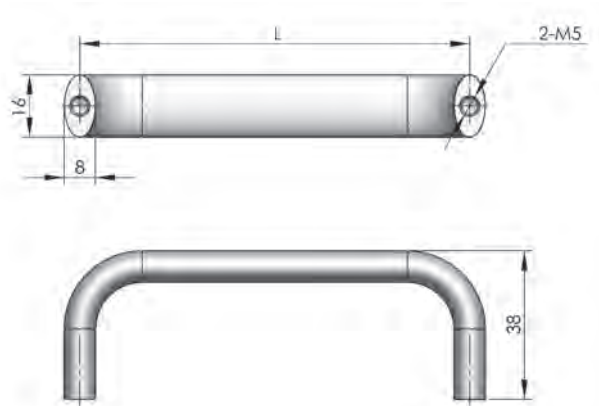
RoHS



MS-516



- 材質：鋁合金
- Material : Aluminum Alloy
- 表面處理：黑色或銀色烤漆
- S.Tr : Black or Silver powder coated
- 最大靜載荷：2500N(L=100)
- Maximum Static Load : 2500N(L=100)
- 伺服器及工業機箱前面板適用
- suitable for Server and industrial chassis IPC



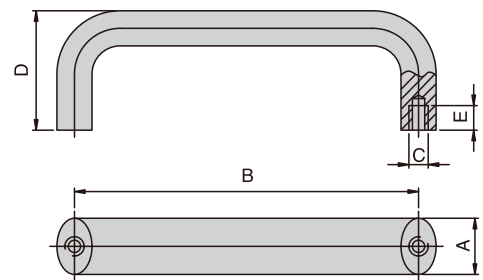
單位:(mm)

型號 Item No		L
黑色 Black	銀色 Silver	
MS-516-75	MS-516-75-A	75
MS-516-100	MS-516-100-A	100
MS-516-125	MS-516-125-A	125
MS-516-150	MS-516-150-A	150
MS-516-175	MS-516-175-A	175



MS-740

- 材質：把手 - 鋁合金
- Material: Handle-Aluminum
- 表面處理：黑色、銀色
- S.Tr : Anodize Finish-Black, Anodize
- Finish-Silver
- 訂購型號後方代碼 A 代表銀色 (Silver)  
B 代表黑色 (Black)



單位:(mm)

型號 Item No	A	B	C	D	E	單重 (g)
MS-740-20-100	20	100	M6	50	10	87
MS-740-20-112		112				97
MS-740-20-128		128				107
MS-740-20-160		160				127
MS-740-26-112	26	112	M8	55	12	150
MS-740-26-117		117				160
MS-740-26-128		128				183
MS-740-26-160		160				200
MS-740-26-179		179				230
MS-740-26-192		192				245
MS-740-26-300		300				350
MS-740-26-400	400	445				

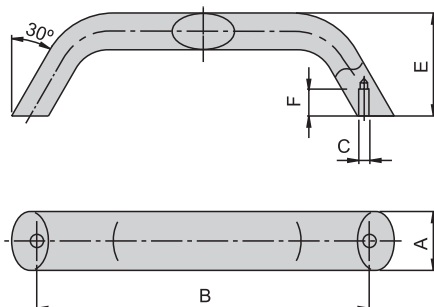


訂購範例 Order exp:  
MS-740-20-100-A 銀色手柄  
MS-740-20-160-B 黑色手柄

# 鋁合金把手

## Aluminum Grab Handle

- 材質：鋁合金
- Material : Aluminum
- 表面處理：黑色烤漆、銀色
- S.Tr : Paint black、Matt silver

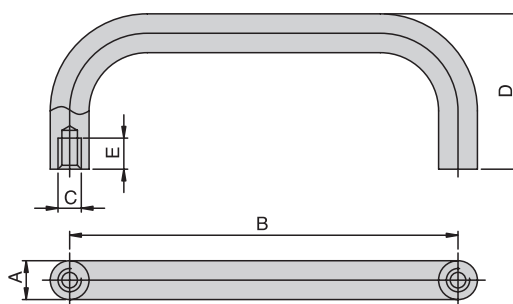


MS-748

單位:(mm)

型號 Item No	表面顏色 Color	A	B	C	E	F
MS-748-A	銀 Silver	20	120	M5	41	10
MS-748	黑 Black					

- 材質：鋁合金
- Material : Aluminum
- 表面處理：銀色、黑色烤漆
- S.Tr : Silver、Black powder coated
- 訂購型號後方代碼 A 代表銀色 (Silver)  
B 代表黑色 (Black)



MS-749

單位:(mm)

型號 Item No	A	B	C	D	E
MS-749-20-200	20	200	M8	70	15
MS-749-20-250	20	250	M8	70	15
MS-749-20-300	20	300	M8	70	15
MS-749-20-400	20	400	M8	70	15

訂購範例 Order exp:  
MS-749-20-200-A 銀色手柄  
MS-749-20-200-B 黑色手柄

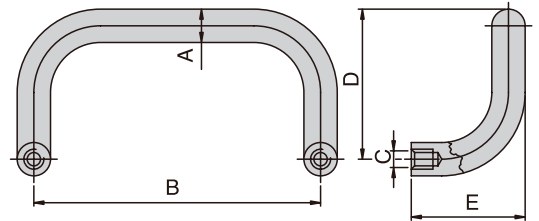
## 鋁合金把手

### Aluminum Grab Handle

- 材質：鋁合金
- Material : Aluminum
- 表面處理：銀色、黑色烤漆
- S.Tr : Silver 、Black powder coated
- 訂購型號後方代碼 A 代表銀色 (Silver)  
B 代表黑色 (Black)



MS-750



單位 : (mm)

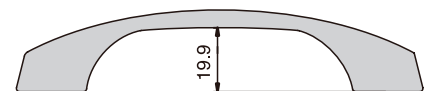
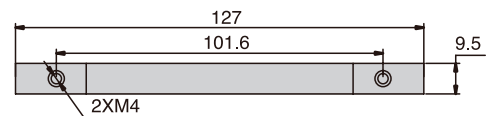
型號 Item No	A	B	C	D	E
MS-750-20-200	20	200	M8	105	68
MS-750-20-300	20	300	M8	105	68

訂購範例 Order exp:  
MS-750-20-200-A 銀色 Silver  
MS-750-20-200-B 黑色 Black

- 材質：鋁合金
- Material : Aluminum
- 表面處理：銀色烤漆
- S.Tr : Silver Paint



MS-777



# 外裝型把手

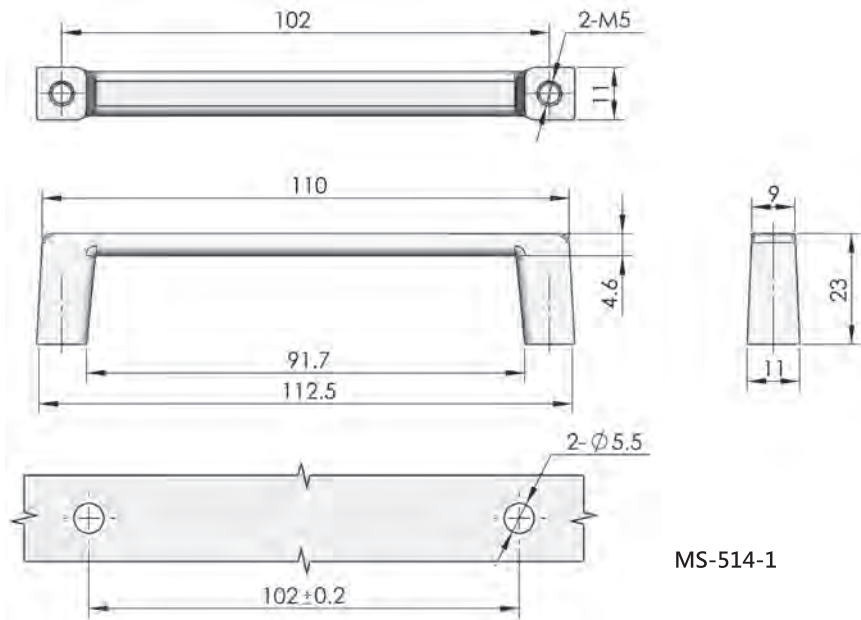
Zinc Alloy · Grab Handle



把手

HANDLES, PULLS

- 材質：鋅合金 • Material : Zinc Alloy
- 表面處理：鍍亮光鉻 • S. Tr: Bright Chrome Finish

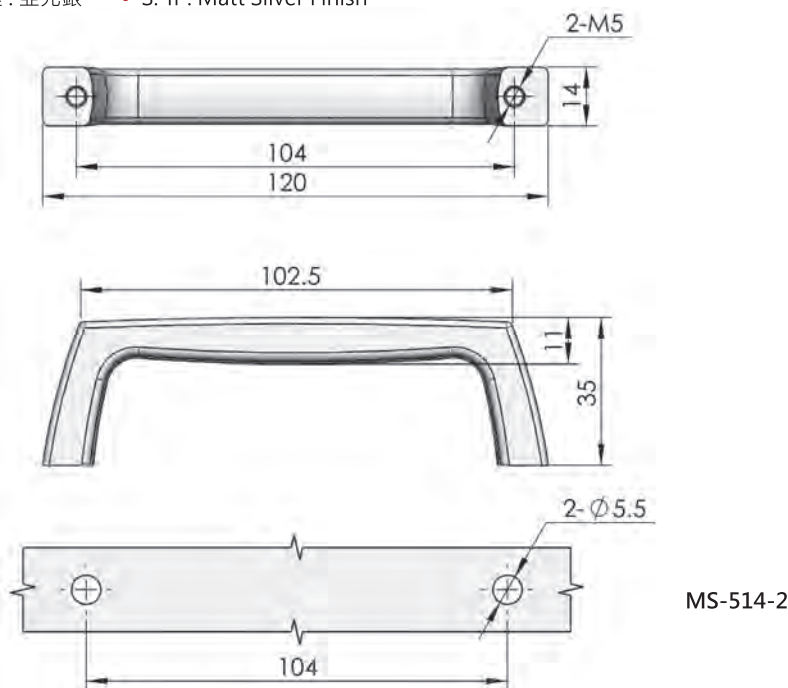


MS-514-1



MS-514-1

- 材質：鋅合金 • Material : Zinc Alloy
- 表面處理：亞光銀 • S. Tr: Matt Silver Finish



MS-514-2



MS-514-2

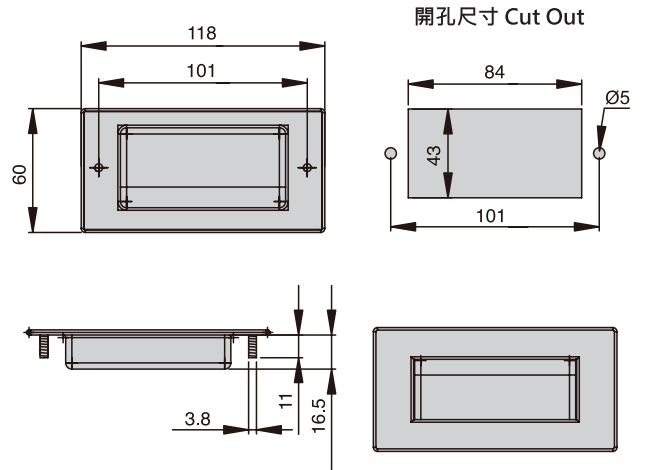
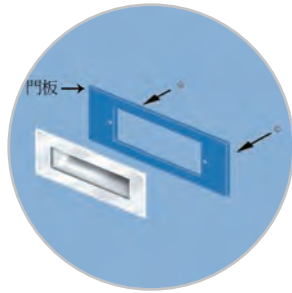
### 埋入型 · 不銹鋼取手

#### Stainless Steel · Flush Pull

- 材質：不銹鋼 304
- Material: Stainless steel 304
- 適用板厚：0.8~15m/m
- Panel thickness : 0.8~15m/m
- 密封墊 (選配) 料號：HP-002-WP
- Gasket Model Number : HP-002-WP



HP-002



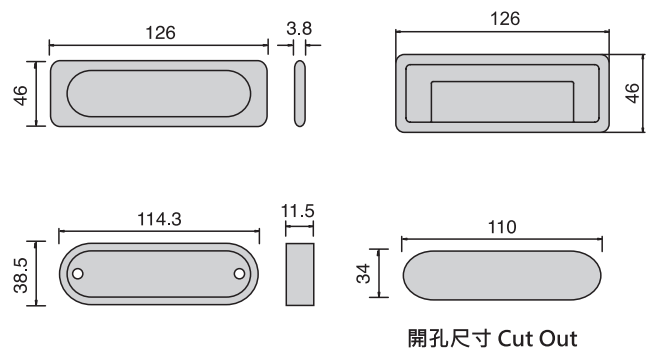
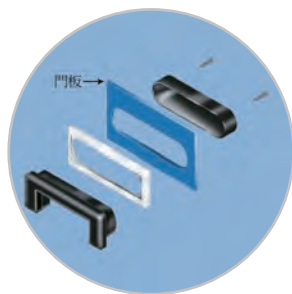
### 塑膠取手

#### Plastic · Flush Pull

- 材質：工程塑料
- Material : Plastic



HP-003

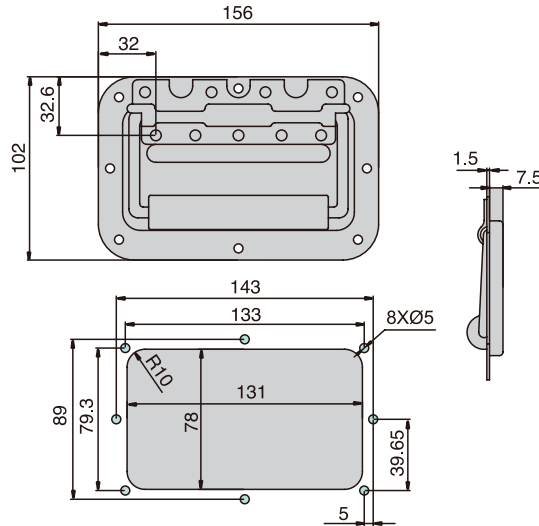


## 埋入型 · 彈簧折疊把手

### Carrying Handle With Spring



- 材質：主體 - 鋼鐵、把手 - PVC
- Material : body-Steel、handle with PVC
- 表面處理：鍍鋅
- S.Tr : Zinc plated
- 內置回彈扭簧 · 拉手柄可自行彈回
- With built-in rebound torsion spring on the handle. Handle can spring back in position when pulled up.



## 把手

HANDLES, PULLS



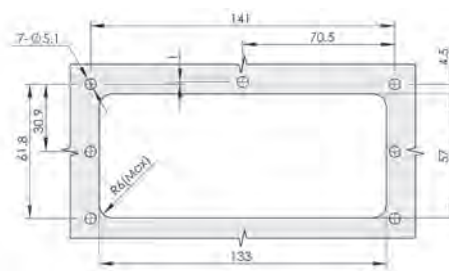
TSH-329

## 嵌八型 · 彈簧折疊把手

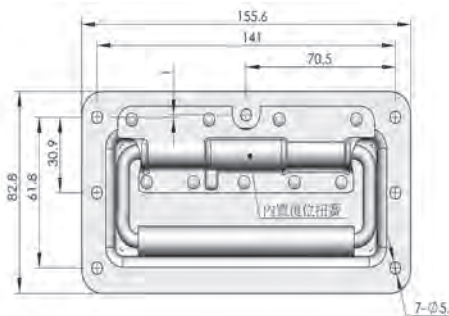
### Recessed Spring Loaded Lifting Handle



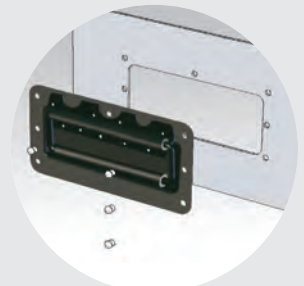
- 材質：鋼鐵 · 把手包覆橡膠套
- Material : Steel, handle with rubber pipe
- 表面處理：黑色塗裝
- S.Tr: Black powder coated
- 內置回彈扭簧 · 拉手柄可自行彈回
- With built-in rebound torsion spring on the handle. Handle can spring back in position when pulled up.
- 最大靜載荷：1000 N
- Maximum Static Load: 1000N



開孔尺寸 Cut Out



MS-504-3A



安裝示意圖

## 提拉把手 Lifting Handles

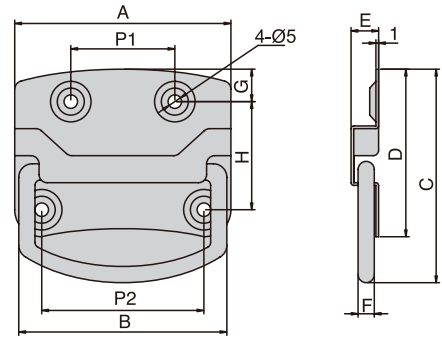
- 材質：ST- 鐵 (Steel) 或 SUS- 不銹鋼 (Stainless Steel)
- Material : Steel or Stainless Steel
- 提拉手柄 90°限位
- Handle swing angle : within 90°



MS-3103



MS-3104



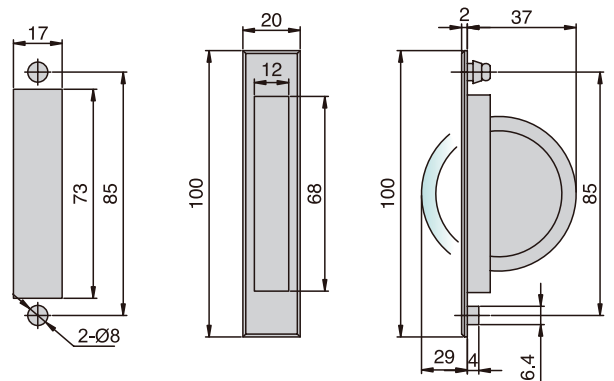
型號 Item No.	材質 Material	A	B	C	D	E	F	G	H	P1	P2
MS-3103	鐵 Steel	80	77	79	62	10.2	Ø 6	12	40	38.5	60
MS-3103-SS	不銹鋼 Stainless Steel										
MS-3104	鐵 Steel	103.5	96	95	78	13	Ø 8	16	47.5	50	77
MS-3104-SS	不銹鋼 Stainless Steel										

## 迴轉把手 · 嵌八型 Handle · Flush

- 材質：鋅合金
- Material : Zinc Alloy
- 平面式收納 · 使用時旋出半圓手柄
- Handle can be rotated into flat position when not in use



MS-835

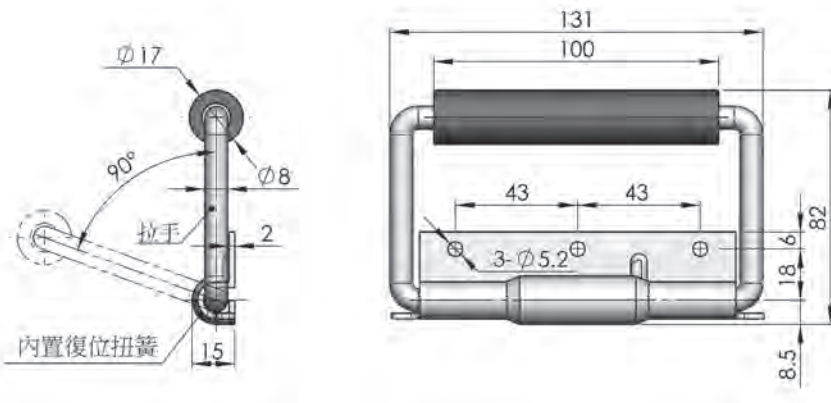


開孔尺寸 Cut Out

## 彈簧折疊把手

### Spring Loaded Recessed Handle

- 材質：鐵鍍鉻或黑色塗裝
- Material : Steel
- S.Tr: Chrome plated or black coated finish
- 最大靜載荷：700N
- Maximum Static Load : 700N



MS-504-A

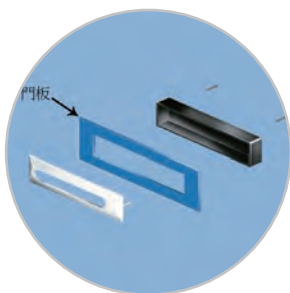


MS-504-B

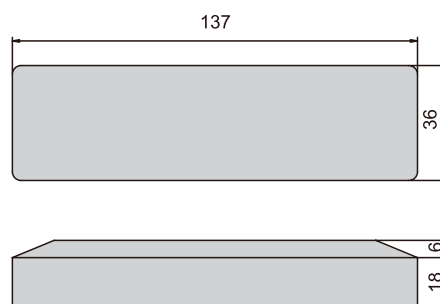
## 鋅合金取手 · 嵌八型

### Zinc Alloy Flush Pull

- 材質：鋅合金
- Material : Zinc Alloy
- 適用板厚：0.8~15m/m
- Panel thickness : 0.8~15m/m



開孔尺寸 Cut Out



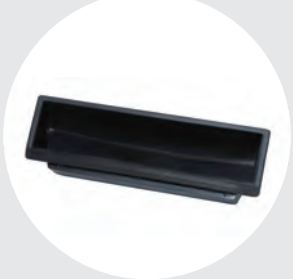
HP-001

## 埋入型 · 取手

Plastic · Flush Pull · Snap-in Style

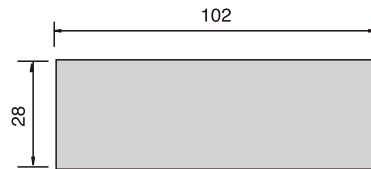
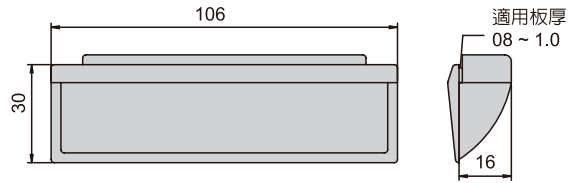


HP-004-1  
(白色 .White)



HP-004-2  
(黑色 .Black)

- 材質：工程塑料
- Material：Plastic

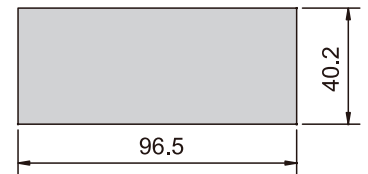
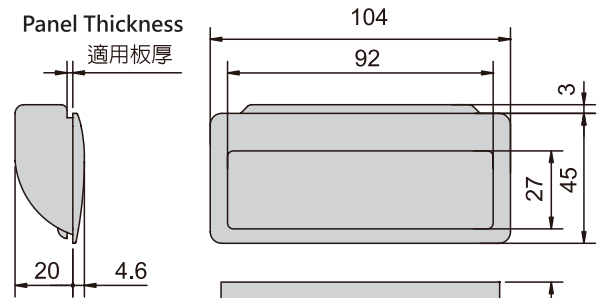


開孔尺寸 Cut Out



HP-746

- 材質：ABS
- Material：ABS
- 按壓此產品進入鉸金件安裝孔中，即可安裝完成
- Snap-in Style



開孔尺寸 Cut Out

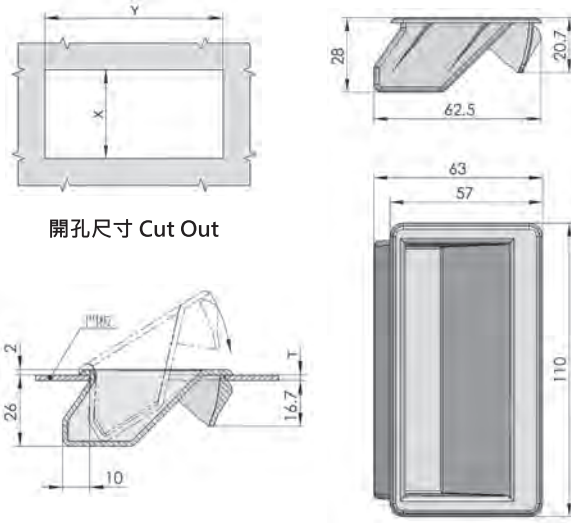


型號 Item No.	顏色 Color	適用板厚 (mm) Thickness	荷重 (kg) Load
HP-746-1	黑 Black	1.2	30
HP-746-2	黑 Black	1.6	
HP-746-2-W	白 White	1.6	
HP-746-3	黑 Black	2.0	

# 埋入型 · 取手

Plastic · Flush Pull · Snap-in

- 材質：尼龍玻纖
- Material：PA6+GF30%
- 使用溫度範圍：-40° c ~ 120° c
- 推入式安裝
- Snap-in Style
- 最大靜載荷：400N
- Maximum Static Load：400N



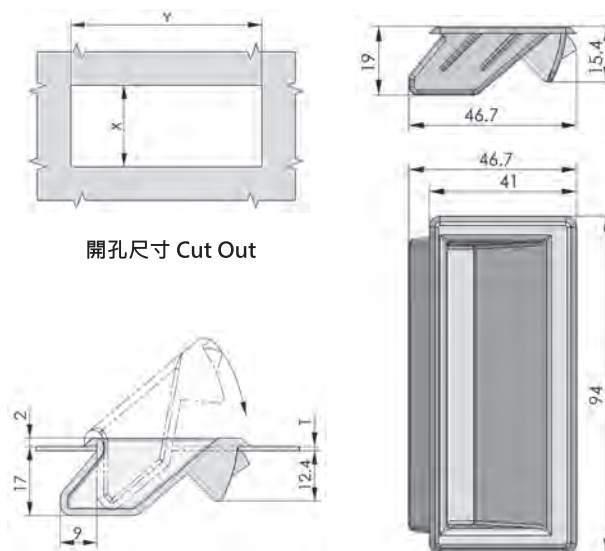
開孔尺寸 Cut Out

門板厚 (T) Panel thickness	開孔 (X) Cut out	開孔 (Y) Cut out
1.5~2.0	49.6+0.2	100-0.5
2.0~3.2	50.3+0.3	100-0.5
3.2~3.5	51+0.3	100-0.5



HP-537-1

- 材質：尼龍玻纖
- Material：PA6+GF30%
- 使用溫度範圍：-40° c ~ 120° c
- 推入式安裝
- Snap-in Style
- 最大靜載荷：400N
- Maximum Static Load：400N



開孔尺寸 Cut Out

門板厚 (T) Panel thickness	開孔 (X) Cut out	開孔 (Y) Cut out
0.75	34.8+0.2	85+0.2
1.0	35+0.2	85+0.2
1.5~2.2	36+0.2	85+0.2



HP-537-1&2



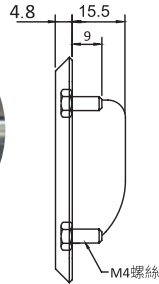
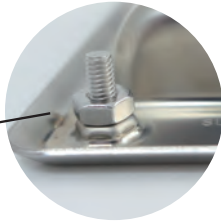
HP-537-2

埋入型 · 不銹鋼取手

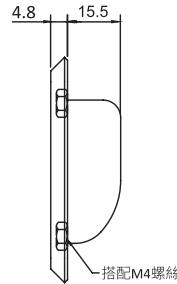
Stainless Steel · Flush Pull



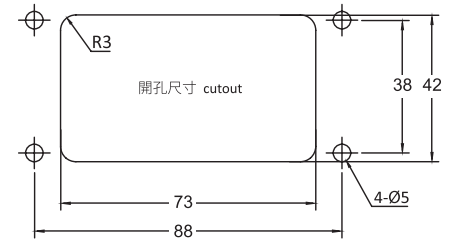
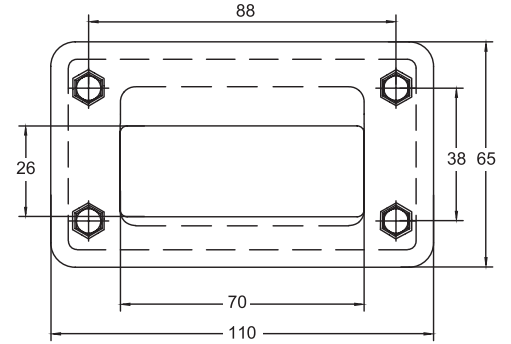
HP-008-1



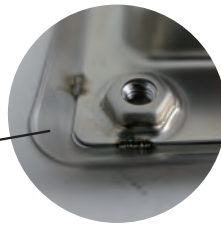
螺柱型(適用板厚:6mm內)  
Outside Stationary type  
HP-008-1



內牙固定型  
In Stationary type  
HP-008-2



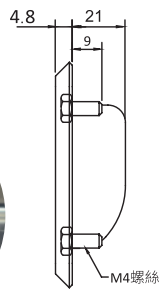
HP-008-2



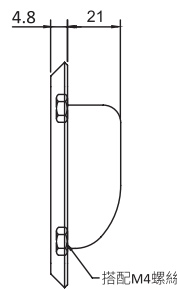
- 材質: 不銹鋼 304
- 表面處理: 拉髮絲紋處理
- 提 / 拉 載荷: 60 公斤
- Material: Stainless Steel 304
- S.Tr: Stain polishing
- Lifting/pulling static load: 60KG



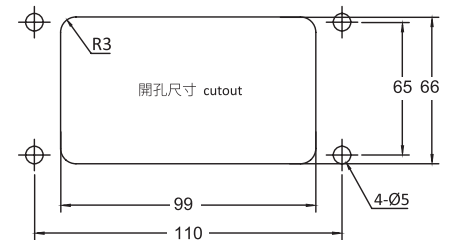
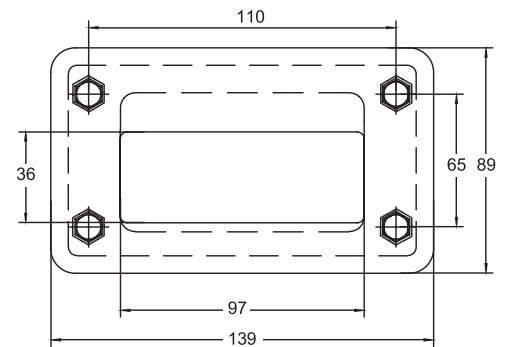
HP-009-1



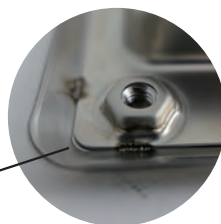
螺柱型(適用板厚:6mm內)  
Outside Stationary type  
HP-009-1



內牙固定型  
In Stationary type  
HP-009-2



HP-009-2



# 埋入型 · 取手

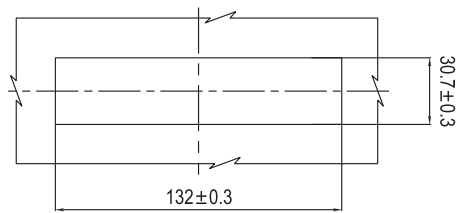
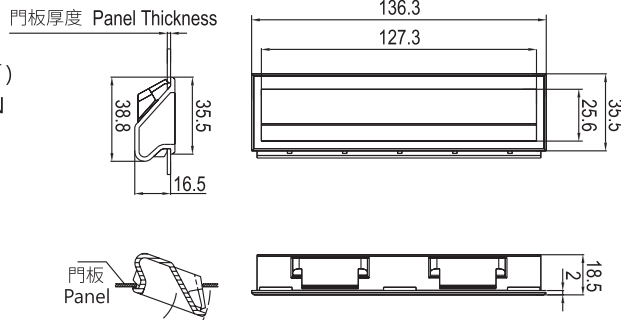
Plastic · Flush Pull · Snap-in

- 材質 :ABS 黑色
- Material: ABS( black)
- 提 / 拉 最大載荷 :1100N (門板強度足夠情況下)
- Lifting/pulling Maximum static load: 1100N (with sufficient door panel strength)
- 適用溫度範圍 : -30° ~ +60°
- Applicable temperature range: -30 ° ~ +60 °



單位 : (mm)

門板厚 (T) Panel thickness		型號 Item No.
最小 Min	最大 Max	
1.0	1.4	HP-538-1
1.4	1.8	HP-538-2
1.8	2.1	HP-538-3



開孔尺寸 Cut Out



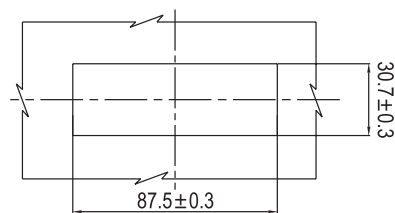
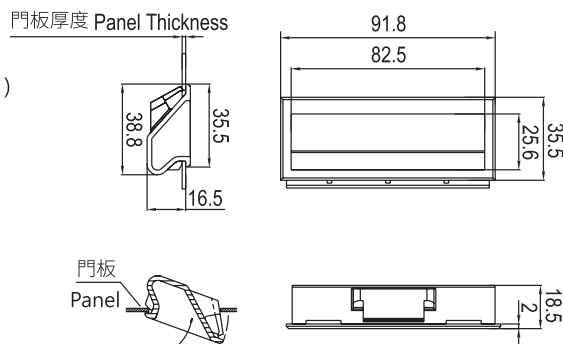
HP-538 SERIES

- 材質 :ABS 黑色
- Material: ABS( black)
- 提 / 拉 最大載荷 :1100N (門板強度足夠情況下)
- Lifting/pulling Maximum static load: 1100N (with sufficient door panel strength)
- 適用溫度範圍 : -30° ~ +60°
- Applicable temperature range: -30 ° ~ +60 °



單位 : (mm)

門板厚 (T) Panel thickness		型號 Item No.
最小 Min	最大 Max	
1.0	1.4	HP-539-1
1.4	1.8	HP-539-2
1.8	2.1	HP-539-3



開孔尺寸 Cut Out



HP-539 SERIES

## 折疊型把手 · 低平收納設計

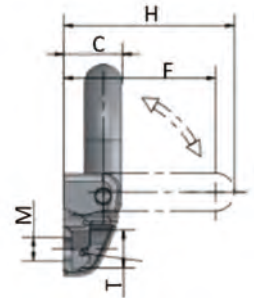
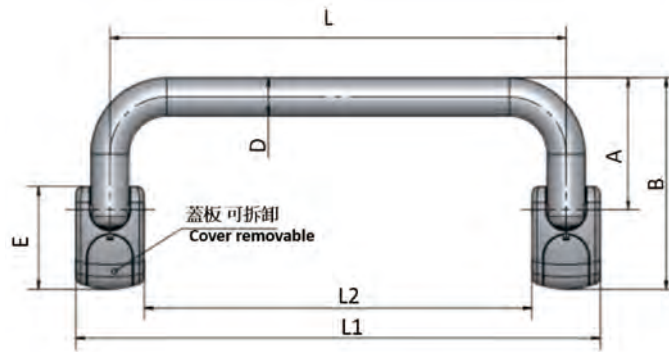
### Folding Handle.

- 材質：手柄 - 鋼鐵；基座 - POM 聚甲醛 ( 塑鋼 )
- 表面處理：手柄 - 鍍鉻
- 特點：折疊式設計，減少表面突起干涉，開合兩端均有定位手感，基座附螺絲隱藏蓋板，提升整體外觀質感
- 用途：廣泛用於各種醫療設備，電控櫃，機櫃抽拉台板及 IPC 工業機箱

- Material : Handle-Steel; Base-POM
- Finish : Handle - Chrome
- Features : Folding design, reducing the interference of surface protrusions.
- The base has screws to hide the cover,High-quality appearance after assembly.



MS-370-100  
MS-370-120  
MS-370-180



安裝示意 : Installation Instructions



十字圓頭螺絲 M6  
Phillips Pan Head M6



六角螺帽 M6  
Hex Nut M6



六角螺絲 M6  
Hex Head Bolt M6

型號 Item No.	材質 Material	A	B	C	L	D	L1	L2	H	F	E	M	T
MS-370-100	鐵鍍鉻	34.5	55.5	15.4	100	10	118	82	45	40	27	6.2	10
MS-370-120	鐵鍍鉻	34.5	55.5	15.4	120	10	138	102	45	40	27	6.2	10
MS-370-180	鐵鍍鉻	34.5	55.5	15.4	180	10	198	162	45	40	27	6.2	10

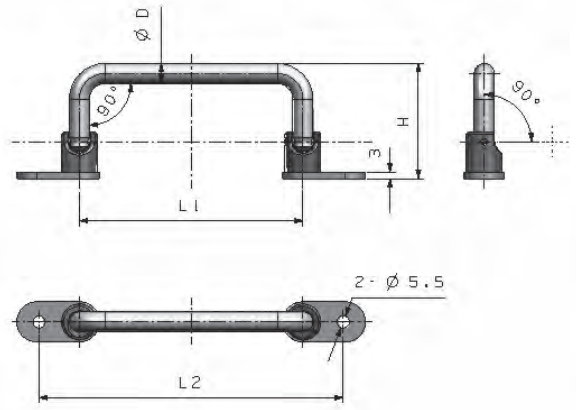


## 外部鎖入型 · 不銹鋼折疊把手

Folding Handle .Stainless Steel 304



- 材質：不銹鋼 304
- Material: Stainless Steel 304
- 表面處理：振動研磨拋光
- S.Tr: Vibration polishing
- 荷重：50kg
- Maximum Static Load:50KG



MS-639 SERIES



單位:(mm)

型號 Item No	L1	L2	H	D
MS-639-1-SS	100	136	52	9
MS-639-2-SS	120	156		
MS-639-3-SS	150	186		

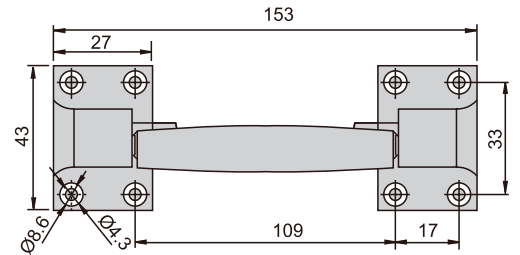


## 不銹鋼 · 荷重型 · 折疊把手

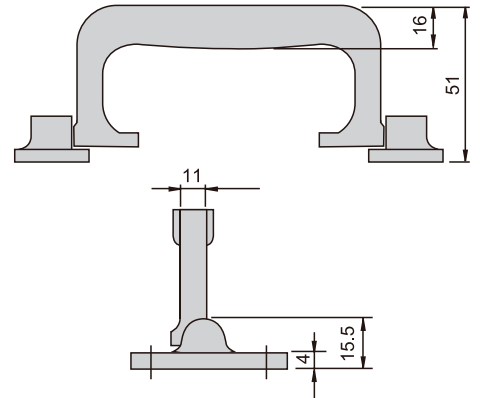
Stainless Steel Folding Handle



- 材質：不銹鋼 304
- Material : Stainless Steel 304
- 表面處理：鏡面拋光
- S.Tr: Bright polishing
- 荷重 :100kg



MS-790

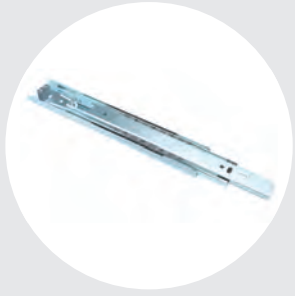




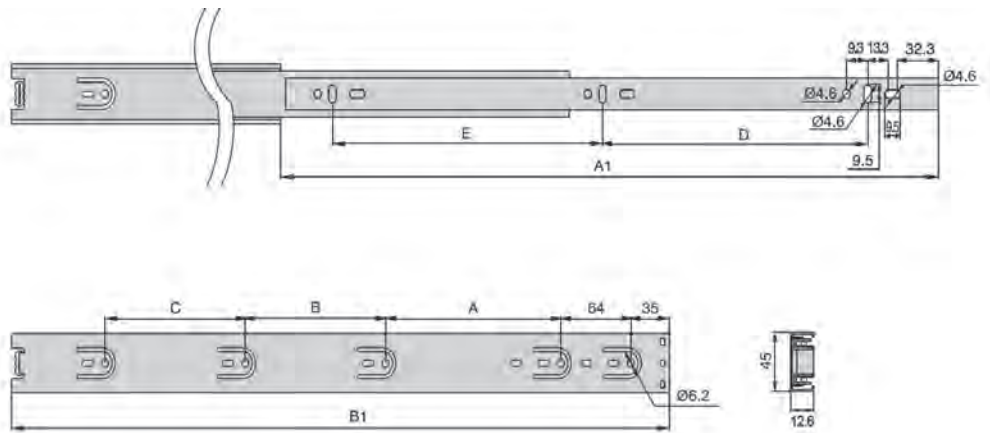
## SL-ST 系列 - 鋼鐵製滑軌

### SL Series- Steel Slide

- 材質：鐵
- Material : Steel
- 表面處理：鍍鋅
- S.Tr : Zinc Plated



SL-ST



型號 Item No : SL - □"-ST

單位 : (mm)

型號 Item No.	拉出 長度 Travel	尺寸表							荷重 Load Rating 公斤 / 對 (Kg/pair)
		A1	B1	A	B	C	D	E	
10"	250	250	250	96			169.4		80
12"	300	300	300	160			96	128	70
14"	350	350	350	160			128	128	60
16"	400	400	400	160	64		128	192	50
18"	450	450	450	160	128		160	192	45
20"	500	500	500	160	128	64	192	224	40
22"	550	550	550	160	128	64	224	224	40
24"	600	605	600	160	128	128	256	256	40

# SL-SUS 系列 - 不銹鋼滑軌

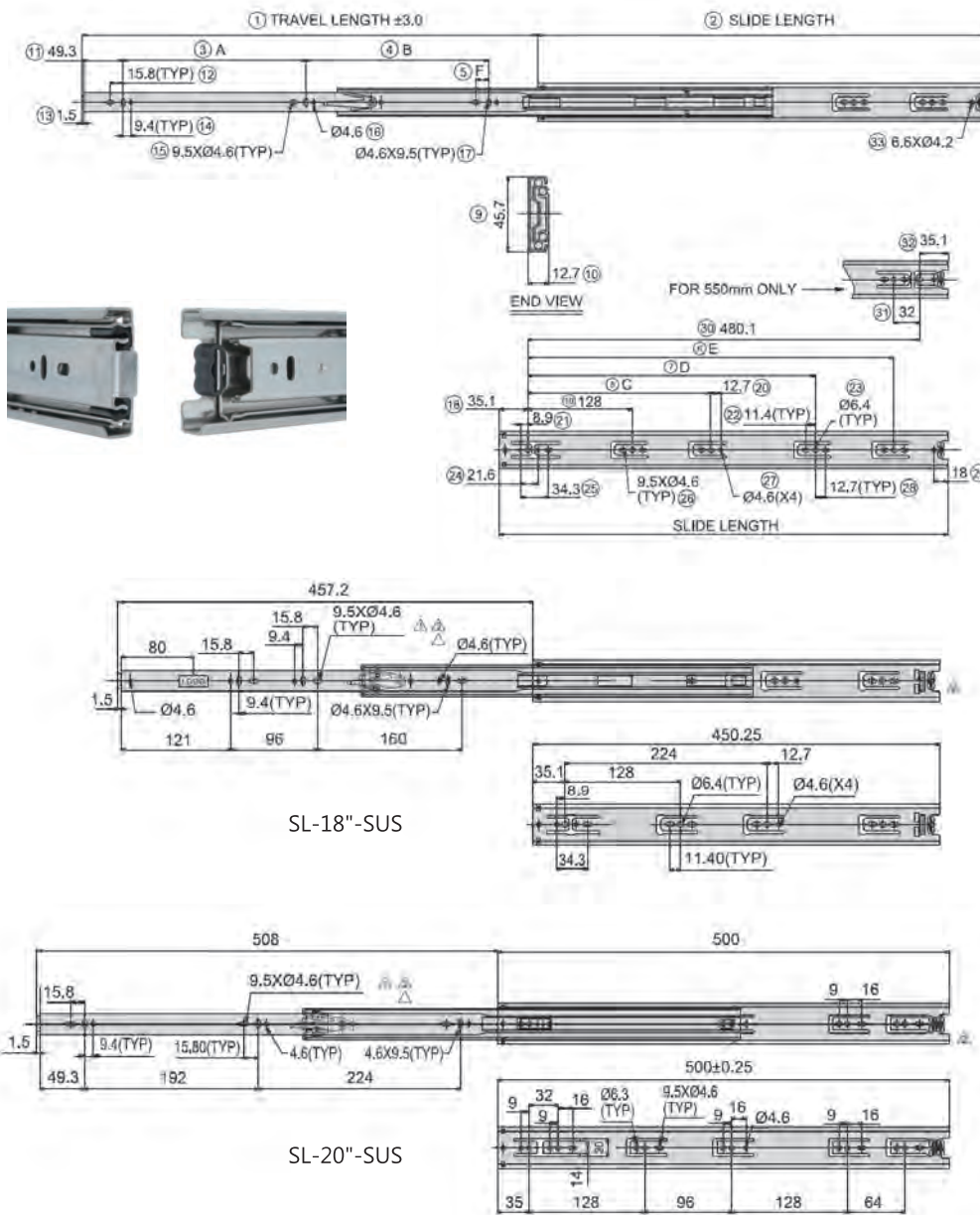
Series-Stainless Steel Slide



- 材質：不銹鋼 304
- Material: Stainless Steel 304



SL-SUS



型號 Item No : SL - □"-SUS

24"	600 [23.62]	609.6 [24.00]	256 [10.08]	256 [10.08]	224 [8.82]	352 [13.86]	480.1 [18.90]	15.8 [0.62]
22"	550 [21.65]	558.8 [22.00]	224 [8.82]	224 [8.82]	224 [8.82]	352 [13.86]	/	15.8 [0.62]
20"	500 [19.69]	508 [20.00]						
18"	450 [17.72]	457.2 [18.00]						
16"	400 [15.75]	406.4 [16.00]	160 [6.30]	160 [6.30]	224 [8.82]	320 [12.60]	/	15.8 [0.62]
14"	350 [13.78]	355.6 [14.00]	128 [5.04]	128 [5.04]	224 [8.82]	/	/	15.8 [0.62]
12"	300 [11.81]	304.8 [12.00]	96 [3.78]	128 [5.04]	224 [8.82]	/	/	15.8 [0.62]
10"	250 [9.84]	254 [10.00]	169.5 [6.67]	/	/	/	/	/
PROD.NO.	SLIDE LENGTH	TRAVEL LENGTH	A	B	C	D	E	F

## 可調行程·限位支撐器

### Door Stay

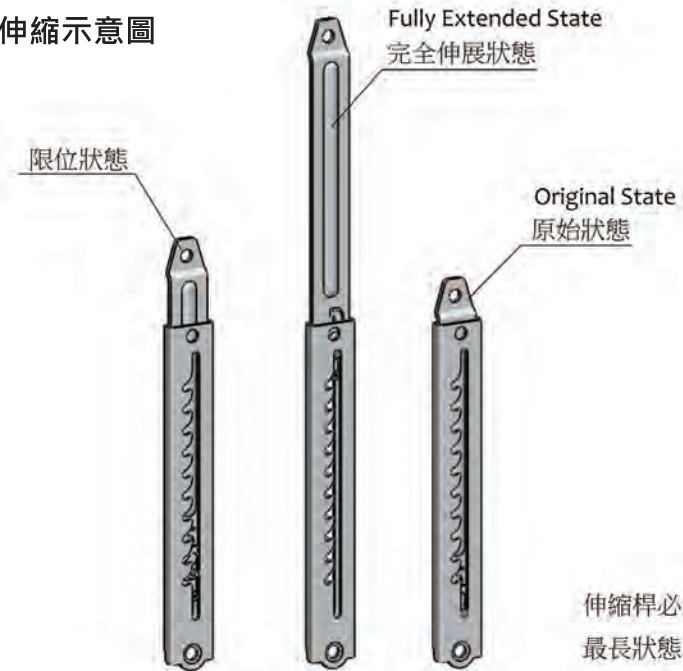


KS-101-1

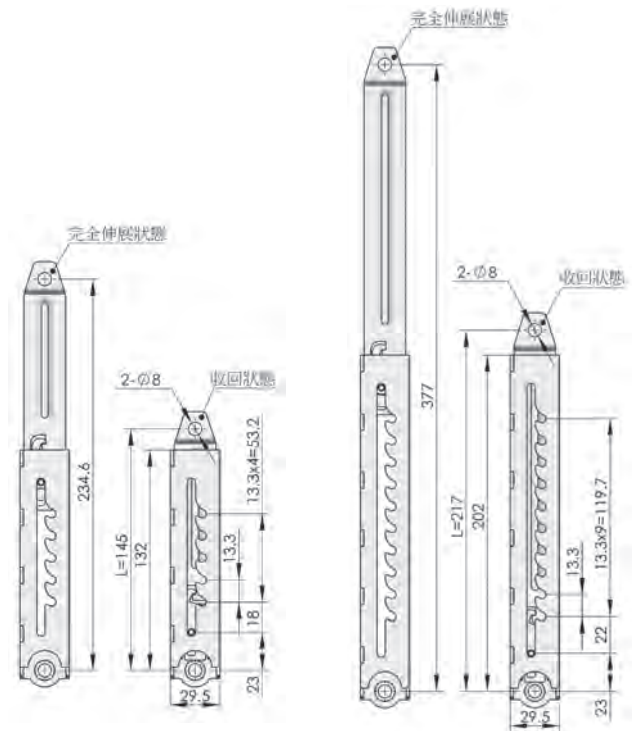


KS-101-2

#### 伸縮示意圖



- 材質：鐵製
- Material : steel
- 表面處理：鐵鍍鋅
- S.Tr : Zinc Plated
- 可調節自鎖型限位支撐器



KS-101-1

KS-101-2

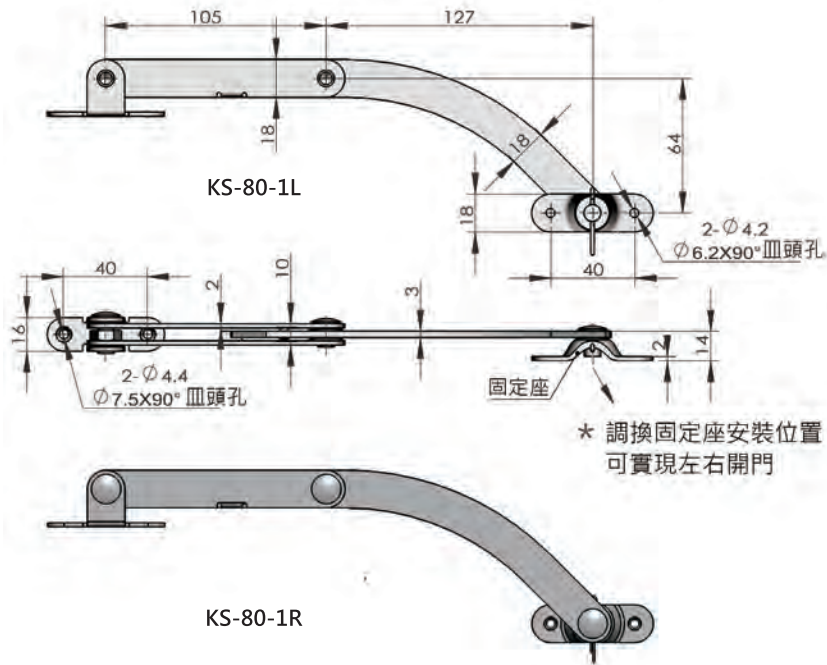
型號 Item No	
KS-101-1	L=145mm
KS-101-2	L=217mm

# 限位支撐器

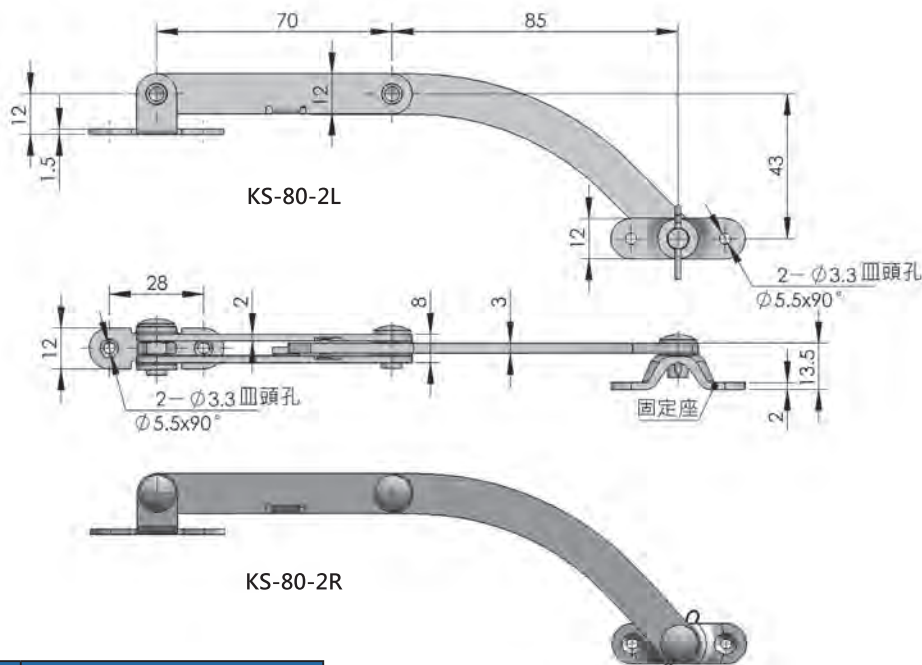
Door Stay

## KS-80 系列

- 材質：鐵製 • Material : Steel
- 表面處理：鍍亮光鉻 • S. Tr : Bright Chrome Finish



KS-80-1



KS-80-2

型號 Item No	規格 . SPEC
KS-80-1L	左開門 For Left Opening Door
KS-80-1R	右開門 For Right Opening Door
KS-80-2L	左開門 For Left Opening Door
KS-80-2R	右開門 For Right Opening Door



## 限位支撐器

### Door Stay

#### KS-90-1 系列

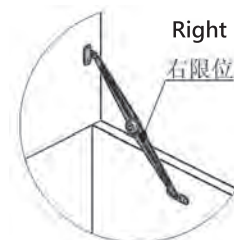
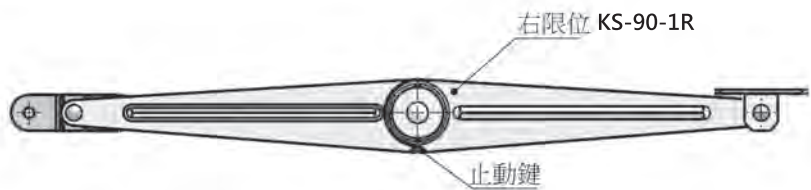
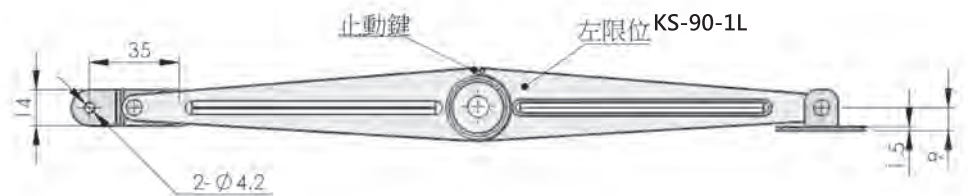
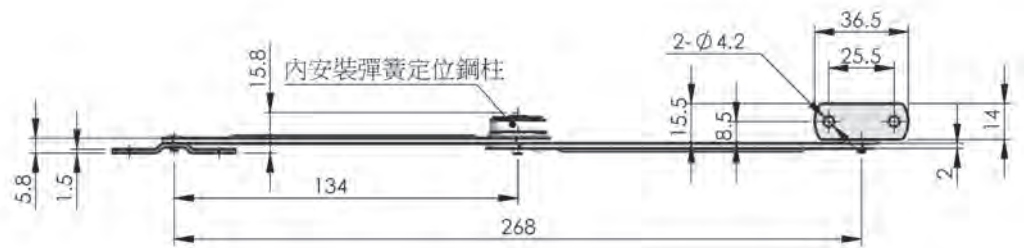
- 材質：鐵製或不鏽鋼 • Material : Steel or Stainless Steel
- 表面處理：鍍亮鉻或振動研磨 • S. Tr : Bright Chrome or Vibration Polish



KS-90-1R



KS-90-1L



型號 Item No	規格 SPEC
KS-90-1L	左限位 . 鐵製 .Left side.Steel
KS-90-1R	右限位 . 鐵製 .Right side.Steel
KS-90-1L-SS	左限位 . 不鏽鋼製 .Left side.Stainless Steel
KS-90-1R-SS	右限位 . 不鏽鋼製 .Right side.Stainless Steel

# 限位支撐開閉器

Door Stay

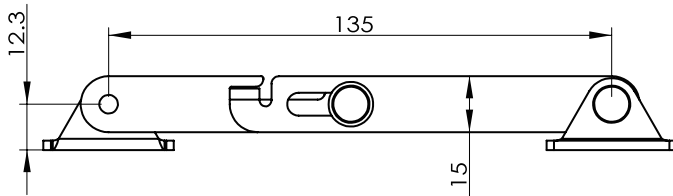
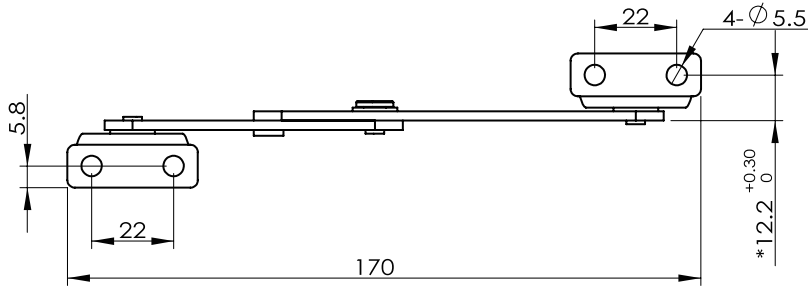


夾鉗、滑軌、  
支撐器、膠條

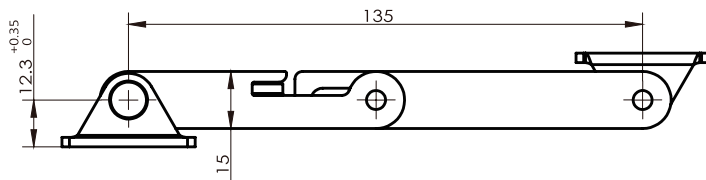
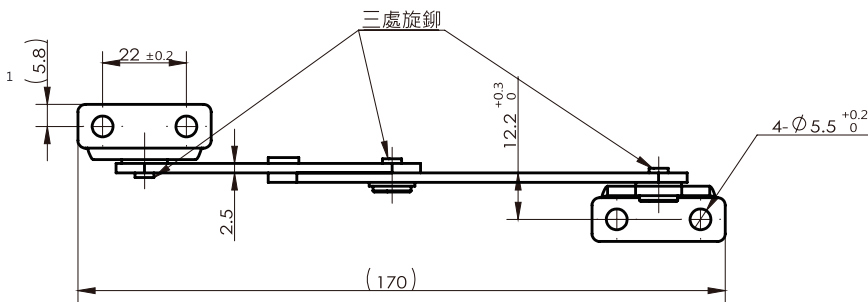
CLAMP · SLIDE ·  
DOOR STAY · GASKETING

## KS-91 系列

- 材質：不銹鋼 304. 電解表面
- Material : Stainless Steel 304. Electrolysis.



KS-91-3L



KS-91-3R



KS-91-3R



## 限位支撐器

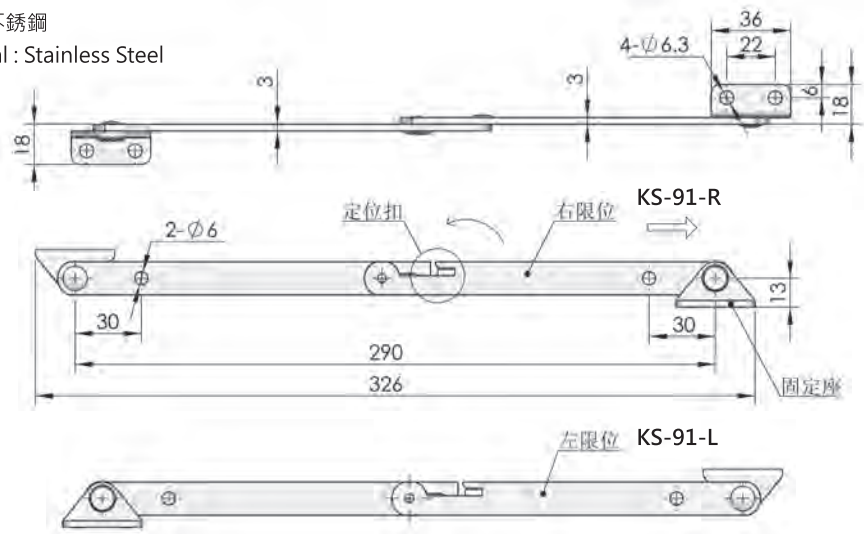
Door Stay



KS-91

### KS-91 系列

- 材質：不銹鋼
- Material : Stainless Steel



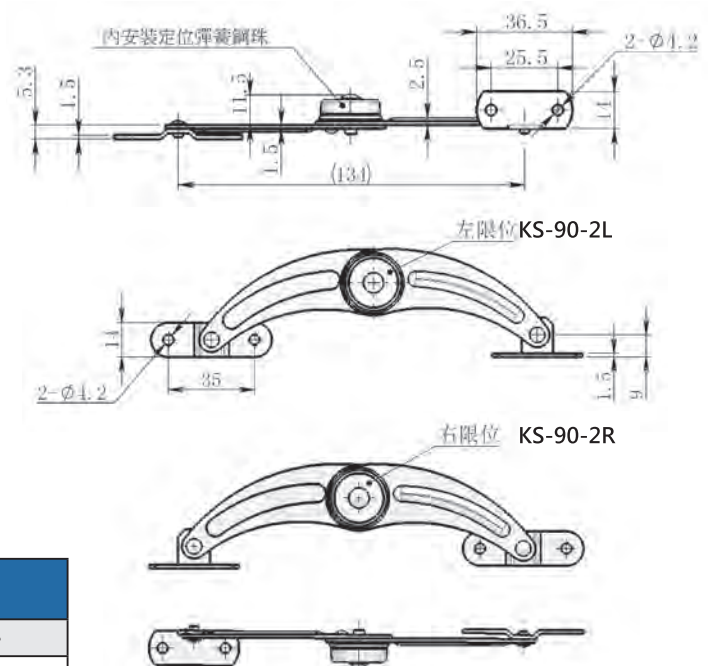
型號 Item No	規格 . SPEC
KS-91-L	左限位 For Left Side
KS-91-R	右限位 For Right Side

### KS-90-2 系列

- 材質：鐵製
- Material : Steel
- 表面處理：鍍亮光鉻
- S. Tr : Bright Chrome Finish



KS-90-2R



型號 Item No	規格 . SPEC
KS-90-2L	左限位 For Left Side
KS-90-2R	右限位 For Right Side



## 可調間距 · 不銹鋼 · 夾鉗

### Adjustable Toggle Clamps

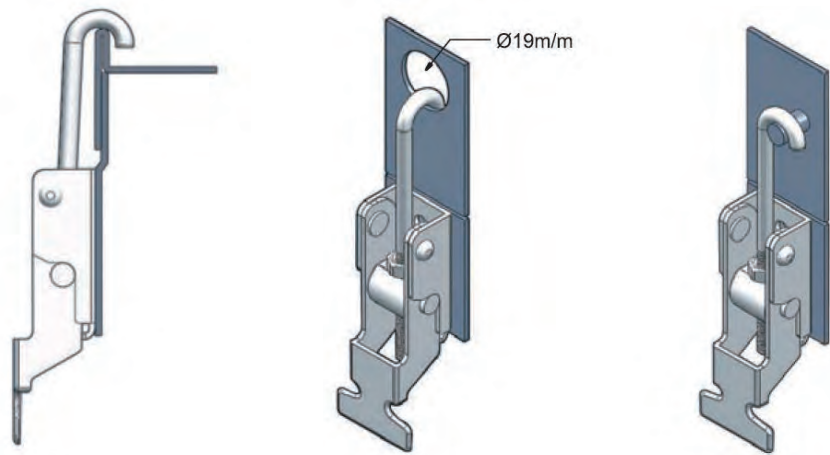
SUS 304

- 材質：不銹鋼 304
- Material : Stainless Steel 304
- 鉤狀頂端可適用於門框或門中的螺柱或孔
- 另有鐵製鍍鋅材質

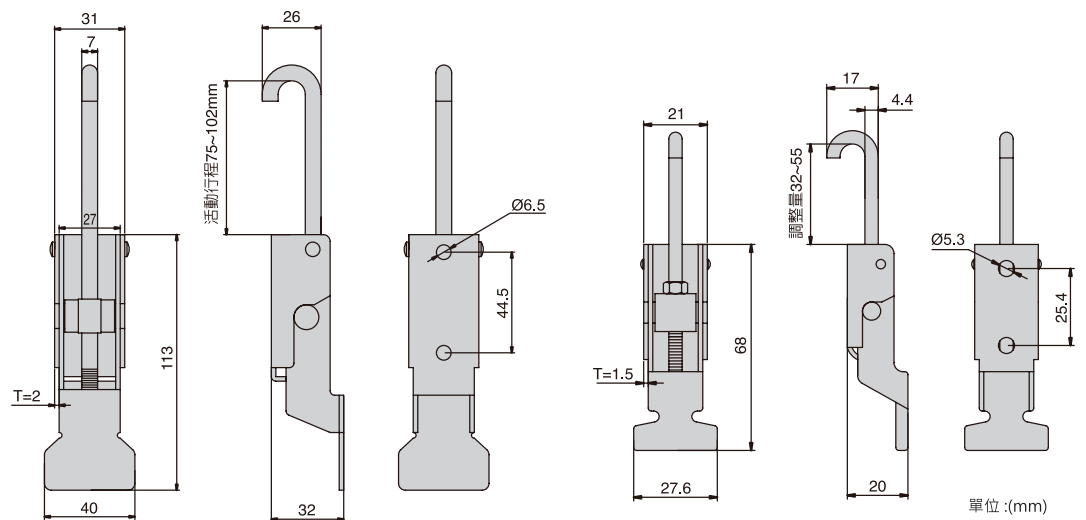


TH-40325

安裝示意圖



TH-40326



TH-40325

TH-40326

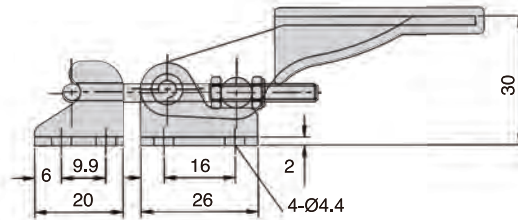
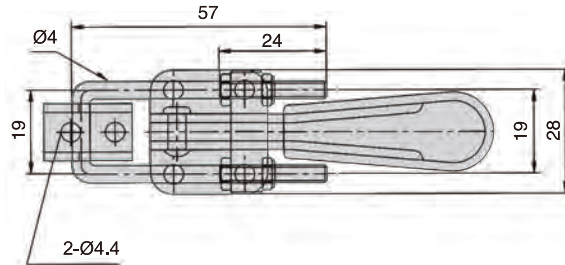
單位 : (mm)

## 可調間距 · 水平安裝 · 不銹鋼 · 夾鉗

Adjustable Toggle Clamps

SUS 304

- 材質：不銹鋼 304  
Material: Stainless Steel 304
- Weight: 70g
- 夾持力：160kg
- Holding capacity: 160kg



夾鉗 · 滑軌 · 支撐器 · 膠條

CLAMP · SLIDE · DOOR STAY · GASKETING



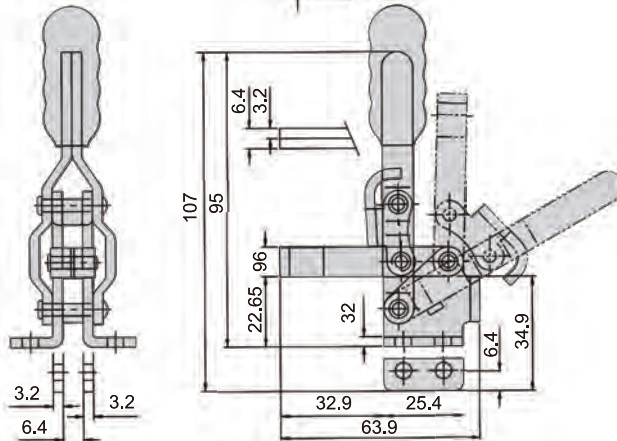
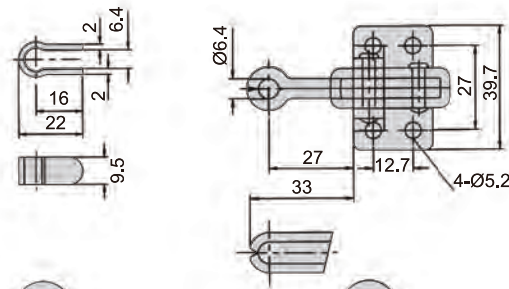
TH-40323-SS

## 可調間距 · 垂直型 · 不銹鋼 · 夾鉗

Adjustable Toggle Clamps

SUS 304

- 材質：不銹鋼 304  
Material: Stainless Steel 304
- Weight: 170g
- 夾持力：95kg
- Holding capacity: 95kg



TH-12050-SS

## 可調間距 · 垂直安裝 · 不銹鋼 · 夾鉗

Adjustable Toggle Clamps

SUS 304

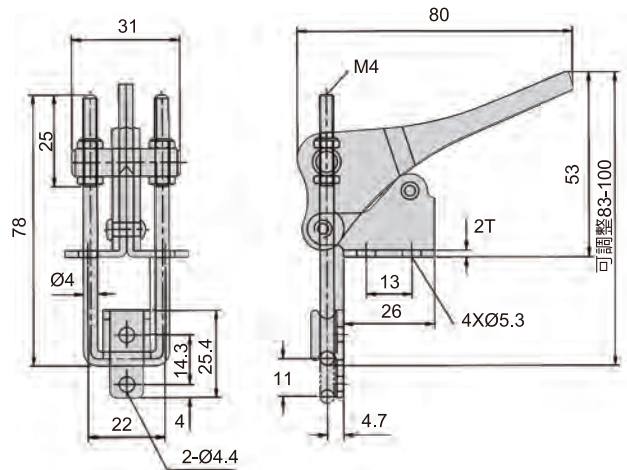


TH-40324-SS

- 材質：不銹鋼 304
- Material : Stainless Steel 304
- Weight : 110g
- 夾持力：225kg
- Holding capacity : 225kg



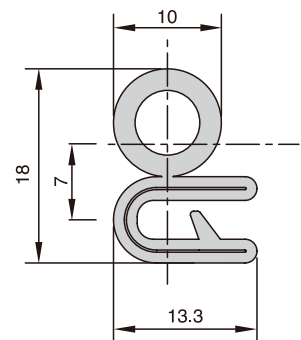
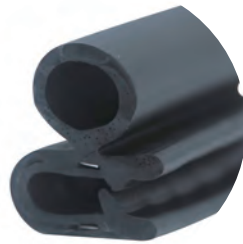
安裝示意



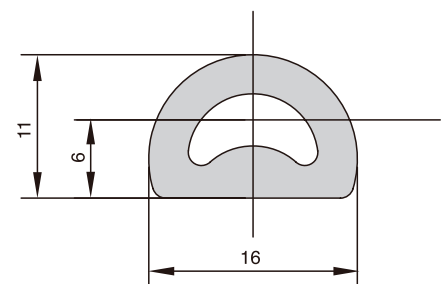
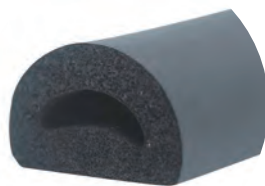
## 密封膠條

Gasket series

WT-001



WT-002



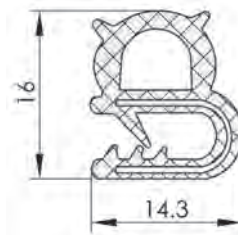
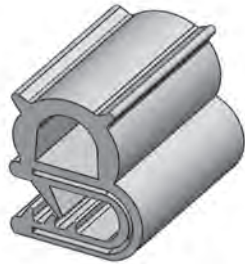
最大壓縮量 5 m.m

## 密封膠條

### Gasket series

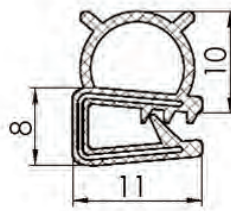
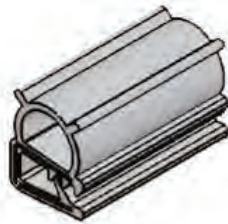
#### WT-009

- 材質：EPDM 橡膠
- 耐溫：-20° C~+100° C
- 適用板厚：1~2mm
- Material：EPDM
- Temperature：-20° C~+100° C
- Applicable platethickness：1~2mm



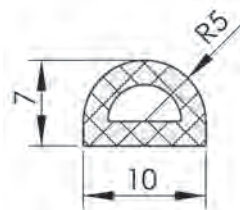
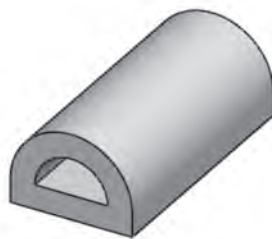
#### WT-022

- 材質：EPDM 橡膠
- 耐溫：-20° C~+100° C
- 適用板厚：1~1.5mm
- Material：EPDM
- Temperature：-20° C~+100° C
- Applicable platethickness：1~1.5mm



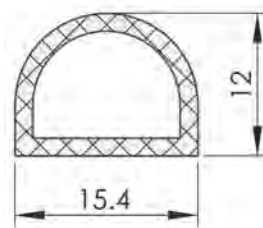
#### WT-048

- 材質：EPDM 橡膠
- 耐溫：-10° C~+70° C
- Material：EPDM
- Temperature：-10° C~+70° C



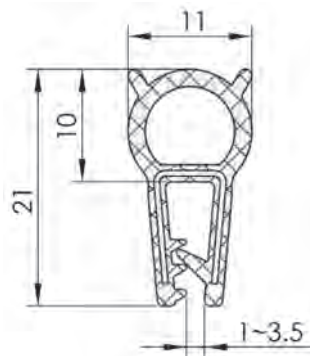
#### WT-050

- 材質：EPDM 橡膠
- 耐溫：-10° C~+70° C
- Material：EPDM
- Temperature：-10° C~+70° C



#### WT-065

- 材質：EPDM 橡膠
- 耐溫：-20° C~+100° C
- 適用板厚：1~3.5mm
- Material：EPDM
- Temperature：-20° C~+100° C
- Applicable platethickness：1~3.5mm



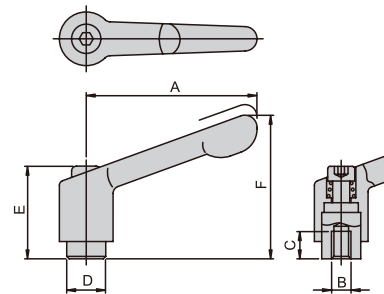
## 可調式把手

### Adjustable Hand Levers



MS-403

- 把手：鋅合金壓鑄
- Handle : Zinc die casting
- 螺栓：鋼鐵、染黑
- Bolt : Steel 、 Dyed black
- 表面處理：黑色烤漆 (BK)、橘色烤漆 (OR)、銀色烤漆 (SR)
- S.Tr : Paint black(BK) 、 Paint orange(OR) 、 Paint silver(SR)



訂購範例：  
MS-403-45-M6-BK

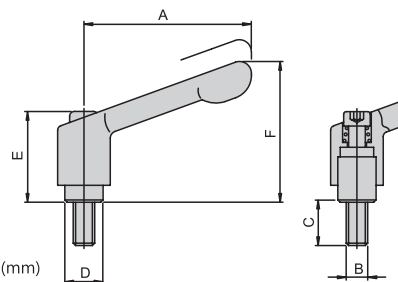
單位：(mm)

型號 Item No	A	B	C	D	E	F
MS-403 - A - B - 顏色 (Color) 表面顏色 Surfaced color 內螺紋 Internal thread 手柄長度 Handle length	45	M4	8	10	24.5	35
	45	M5	8	10	24.5	35
	45	M6	8	10	24.5	35
	63	M6	10	13.5	31	45
	63	M8	10	13.5	31	45
	78	M8	14	16	36	55
	78	M10	14	16	36	55
	92	M10	17	19	43	65
	92	M12	17	19	43	65
	108	M12	22	23	50.5	76
	108	M14	22	23	50.5	76
	108	M16	22	23	50.5	76



MS-404

- 把手：鋅合金壓鑄
- Handle : Zinc die casting
- 螺牙：鋼鐵、染黑
- Screw: Steel 、 Dyed black
- 表面處理：黑色烤漆 (BK)、橘色烤漆 (OR)、銀色烤漆 (SR)
- S.Tr : Paint black(BK) 、 Paint orange(OR) 、 Paint silver(SR)



訂購範例：  
MS-404-45-M6-10-BK

單位：(mm)

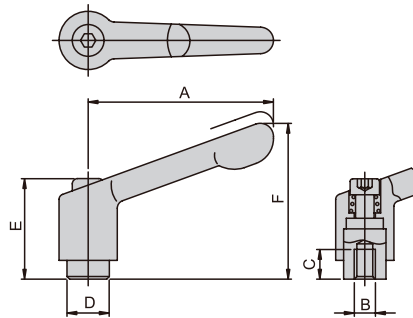
型號 Item No	A	B	C							D	E	F	
MS-404 - A - B - C - 顏色 (Color) 表面顏色 Surfaced color 螺紋長度 Thread length 外螺紋 External thread 手柄長度 Handle length	45	M5	10	15	20	25	30				10	24.5	35
	45	M6	10	20	30	40	50				10	24.5	35
	45	M8	10	20	30	40	50				10	24.5	35
	63	M8	10	20	30	40	50				13.5	31	45
	63	M10	10	20	30	40	50				13.5	31	45
	78	M8	10	20	30	40	50				16	36	55
	78	M10	10	20	30	40	50				16	36	55
	78	M12	10	20	30	40	50				19	43	65
	92	M10		20	30	40	50	60			19	43	65
	92	M12		20	30	40	50	60			19	43	65
	108	M12			30	40	50	60	70		23	50.5	76
	108	M16			40	50	60	70	80	23	50.5	76	



# 不銹鋼可調式把手

## Stainless Steel Adjustable Hand Levers

- 把手：鋅合金壓鑄
- Handle : Zinc die casting
- 螺栓：不銹鋼
- Bolt : Stainless steel
- 表面處理：黑色烤漆 (BK)、橘色烤漆 (OR)、銀色烤漆 (SR)
- S.Tr : Paint black(BK)、Paint orange(OR)、Paint silver(SR)



訂購範例：  
MS-405-45-M6-BK

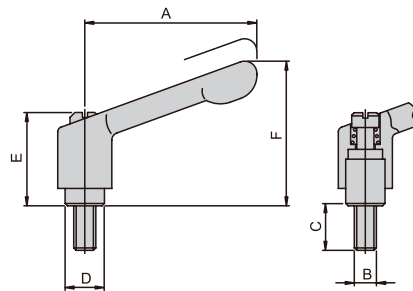
單位：(mm)

型號 Item No	A	B	C	D	E	F
MS-405 - A - B - 顏色 (Color)	45	M4	8	10	24.5	35
	45	M5	8	10	24.5	35
	45	M6	8	10	24.5	35
	63	M6	10	13.5	31	45
	63	M8	10	13.5	31	45
	78	M8	14	16	36	55
	78	M10	14	16	36	55
	92	M10	17	19	43	65
	92	M12	17	19	43	65
	108	M12	22	23	50.5	76
108	M16	22	23	50.5	76	



MS-405

- 把手：鋅合金壓鑄
- Handle : Zinc die casting
- 螺牙：不銹鋼
- Screw : Stainless steel
- 表面處理：黑色烤漆 (BK)、橘色烤漆 (OR)、銀色烤漆 (SR)
- S.Tr : Paint black(BK)、Paint orange(OR)、Paint silver(SR)



訂購範例：  
MS-406-45-M6-20-BK

單位：(mm)

型號 Item No	A	B	C								D	E	F
MS-406 - A - B - C - 顏色 (Color)	45	M5	10	15	20	25	30				10	24.5	35
	45	M6	10	20	30	40	50				10	24.5	35
	63	M6	10	20	30	40	50				13.5	31	45
	63	M8	10	20	30	40	50				13.5	31	45
	78	M8	10	20	30	40	50				16	36	55
	78	M10	10	20	30	40	50				16	36	55
	92	M10		20	30	40	50	60			19	43	65
	92	M12		20	30	40	50	60			19	43	65
	108	M12			30	40	50	60	70		23	50.5	76
	108	M16			40	50	60	70	80		23	50.5	76



MS-406

可調式把手、  
旋鈕、螺絲

ADJUSTABLE HANDLES .  
KNOBS . NUTS

## 星型旋鈕

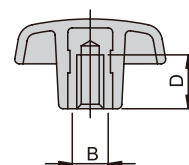
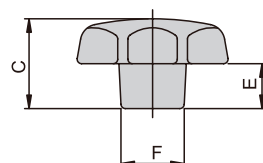
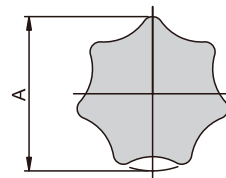
### Hand knobs

- 旋鈕 : PA6+GF30 尼龍加玻纖
- Knob : PA6+GF30
- 螺栓 : 銅
- Bolt : Copper
- 表面處理 : 旋鈕一黑色
- S.Tr : Knob-black

訂購範例 :  
MS-1020-32-M6

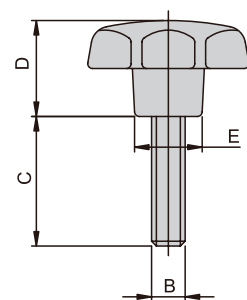
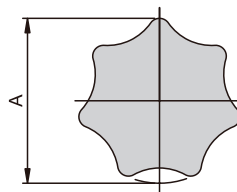
單位 : (mm)

型號 Item No	A	B	C	D	E	F
MS-1020 - A - B 內螺紋 Internal Thread 旋鈕外徑 Knobs diameter	20	M4	13	6.5	7	10
	25	M5	16	9.5	8	12
	25	M6	16	9.5	8	12
	32	M6	20	12	10	14
	40	M6	25	14	13	18
	40	M8	25	14	13	18
	50	M8	32	18	17	22
	50	M10	32	18	17	22
	63	M10	40	22	21	26
	63	M12	40	22	21	26
	80	M12	50	22	25	35
	80	M16	50	30	25	35



MS-1050

- 旋鈕 : PA6+GF30 尼龍加玻纖
- Knob : PA6+GF30
- 螺柱 : 鋼鐵
- Screw : steel
- 表面處理 : 旋鈕一黑色、螺牙一鍍鋅
- S.Tr : Knob-black, Screw-zinc plated



訂購範例 :  
MS-1050-32-M6-10

單位 : (mm)

型號 Item No	A	B	C				D	E		
MS-1050 - A - B - C 螺紋長度 Thread length 外螺紋 External Thread 旋鈕外徑 Knobs diameter	25	M5	10	15	20	30	16	12		
	25	M6	10	15	20	30	16	12		
	32	M6	10	15	20	30	40	20	14	
	40	M6	15	20	30	40	50	25	18	
	40	M8	15	20	30	40	50	25	18	
	50	M8	15	20	30	40	50	60	32	22
	50	M10	20	30	40	50	60	32	22	
	63	M10	20	30	40	50	60	40	26	
	63	M12	20	30	40	50	60	40	26	
	80	M12	20	30	40	50	60	80	50	35
	80	M16	40	50	60	80	50	35		



# 全不銹鋼星型旋鈕・螺柱型

## Stainless Steel Star Knob. Stud Type

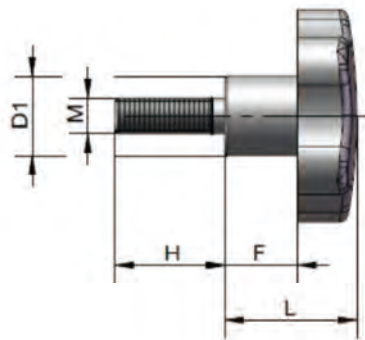
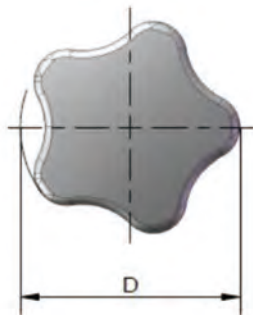
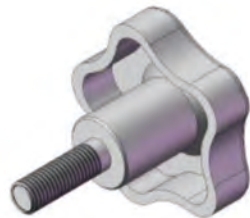


可調式把手、  
旋鈕、螺絲

ADJUSTABLE HANDLES .  
KNOBS . NUTS

- 材質：不銹鋼 SUS304
- 表面處理：亞光表面
- 不銹鋼 SUS304 帶螺牙旋鈕，具有耐腐蝕性，適用在衛生要求及惡劣氣候環境條件下
- 用途：化工設備，食品機械，醫療設備及檢測儀器

- Material : Stainless Steel 304
- Finish : Matte
- Features : Stainless steel 304 with stud knob, with corrosion resistance, suitable for hygienic, climatic environmental conditions and environments that require the use of corrosion-resistant materials
- Application : Chemical equipment, food machinery, medical equipment and testing equipment.



單位：(mm)

型號 Item No	材質 Material	D	L	H	D1	F	M
MS-50-40-M8-20	SUS304	40	24	20	14	12	M8
MS-50-50-M10-30	SUS304	50	30	30	18	16.5	M10
MS-50-60-M12-30	SUS304	60	37.5	30	20	20	M12



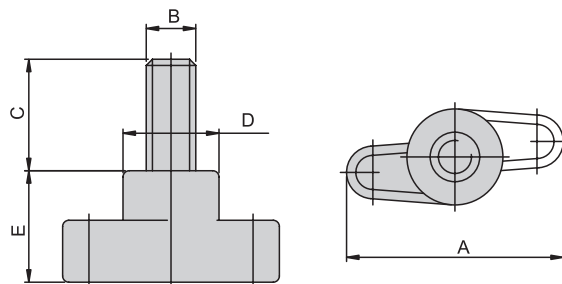
MS-50 SERIES



## 一字旋鈕螺絲 · 螺帽

### Hand knobs

- 旋鈕：PA6+GF30 尼龍加玻纖
- Knob : PA6+GF30
- 螺柱：鋼
- Screw : Steel
- 表面處理：旋鈕一黑色、螺柱一鍍鋅
- S.Tr : Knob-black, Screw-zinc plated



MS-2061

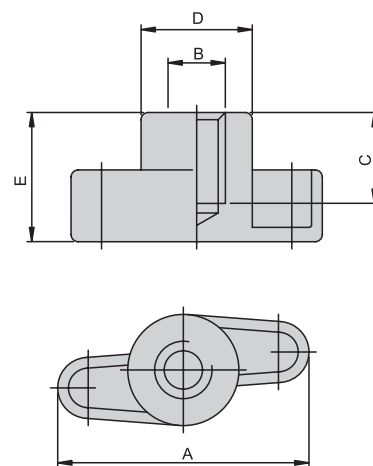
訂購範例：  
MS-2061-35-M6-10

單位：(mm)

型號 Item No	A	B	C						D	E	
MS-2061 - A - B - C <small>螺紋長度 Thread length 外螺紋 External thread 旋鈕外徑 Knobs diameter</small>	35	M6	10	15	20	25	30		15.6	18	
	35	M8	10	15	20	25	30	35	15.6	18	
	45	M8		15	20	25	30	35	40	20	24
	45	M10		15	20	25	30	35	40	45	20



- 旋鈕：PA6+GF30% 尼龍加玻纖
- Knob : PA6+GF30%
- 螺栓：銅
- Bolt : Copper
- 表面處理：旋鈕一黑色
- S.Tr : Knob-black



MS-2062

訂購範例：  
MS-2062-35-M6

單位：(mm)

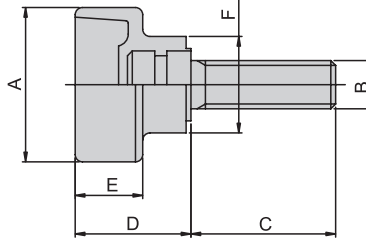
型號 Item No	A	B	C	D	E
MS-2062 - A - B <small>內螺紋 Internal Thread 手柄長度 Handle length</small>	35	M6	14	15.6	18
	35	M8	14	15.6	18
	45	M8	18	20	24
	45	M10	18	20	24



# 壓花螺絲 · 螺帽

## Hand knobs

- 旋鈕：尼龍
- Knob：Nylon
- 螺柱：鐵
- Screw：Steel
- 表面處理：旋鈕—黑色、螺牙—鍍鋅
- S.Tr：Knob-black, Screw-zinc plated



MS-2010

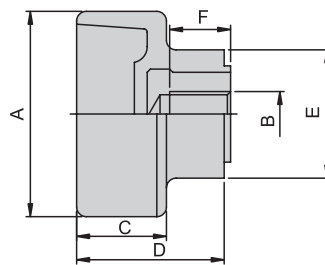
訂購範例：  
MS-2010-20-M4-10

單位：(mm)

型號 Item No	A	B	C			D	E	F		
MS-2010 - A - B - C	20	M4	10	15	20		8.5	8	12	
螺紋長度   Thread length	20	M5	10	15	20		8.5	8	12	
外螺紋   External Thread	25	M6	10		20	30	19.5	9	15	
旋鈕外徑   Knobs diameter	30	M8			20	30	40	21.5	11	18
	35	M10			20	30	40	29	13	21



- 旋鈕：尼龍
- Knob：Nylon
- 螺栓：銅
- Bolt：Copper
- 表面處理：旋鈕—黑色
- S.Tr：Knob-black,



MS-2031

單位：(mm)

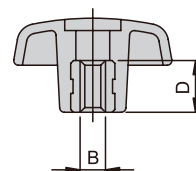
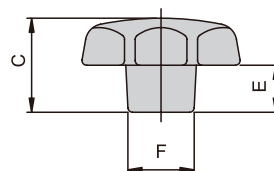
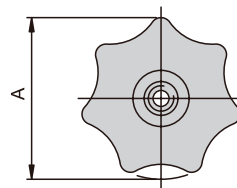
型號 Item No	A	B	C	D	E	F
MS-2031 - A - B	20	M4	8	13.5	12	7
內螺紋   Internal Thread	20	M5	8	13.5	12	8
旋鈕外徑   Knobs diameter	25	M6	9	19.5	15	12
	30	M8	11	21.5	18	12
	35	M8	13	29	21	18
	35	M10	13	29	21	18



## 通孔星型旋鈕

### Penetrated Hand knobs

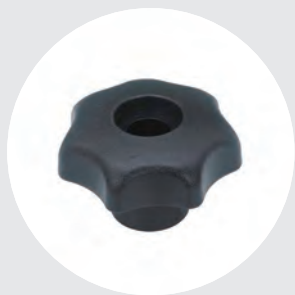
- 旋鈕 : PA6+GF30
- Knob : PA6+GF30
- 螺栓 : 鋼鐵
- Bolt : steel
- 表面處理 : 旋鈕一黑色、螺栓一鍍鋅
- S.Tr : Knob-black, Bolt-zinc plated



訂購範例：  
MS-1025-32-M6

單位 : (mm)

型號 Item No	A	B	C	D	E	F
MS-1025 - A - B <small>內螺紋 Internal Thread</small> <small>旋鈕外徑 Knobs diameter</small>	32	M6	20	9	10	14
	40	M6	25	12	13	18
	40	M8	25	12	13	18
	50	M10	32	16	17	22
	63	M12	39	21	21	26

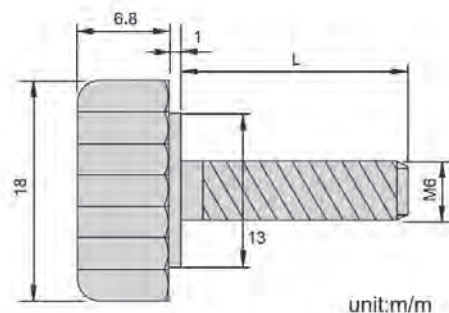


MS-1025

## 不銹鋼壓花螺絲

### Stainless Steel Screws

- 旋鈕 : ABS
- 螺柱 : 不銹鋼
- Material : Knob-Abs, Screw- Stainless Steel



unit:m/m

單位 : (mm)

型號 Item No	L
MS-2011-15	15
MS-2011-25	25
MS-2011-30	30
MS-2011-40	40



MS-2011



# 中負荷輪

## Medium Duty Caster

- TF-A3201~TF-A3204 輪子材質：尼龍 Nylon
- TF-T3201 輪子材質：電木 Bakelite



TF-A3201 尼龍輪



TF-A3202 尼龍輪



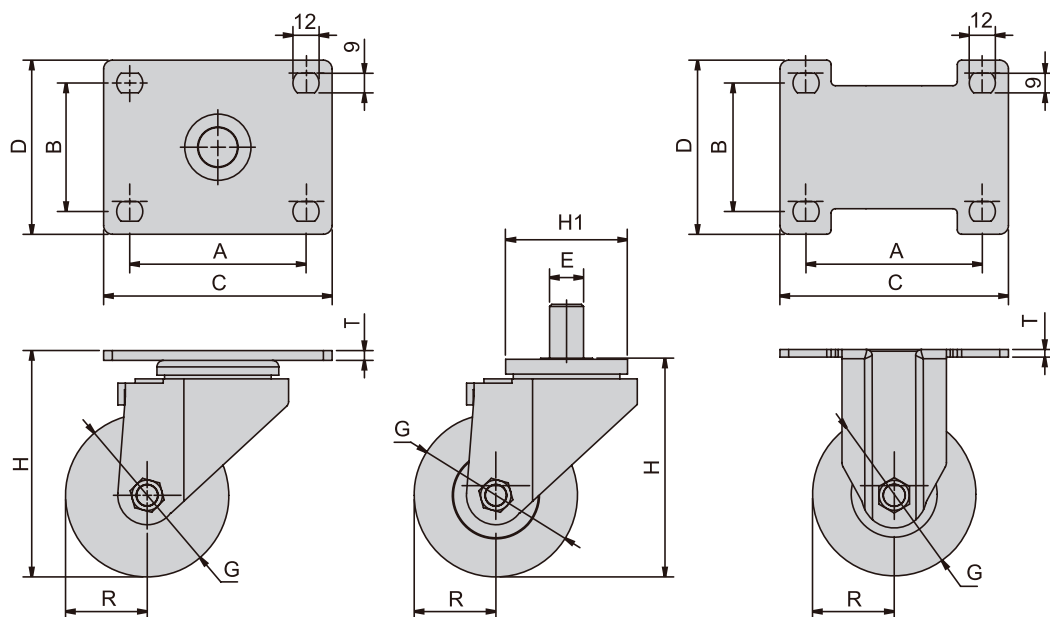
TF-A3203 尼龍輪



TF-A3204 尼龍輪



TF-T3201 電木輪



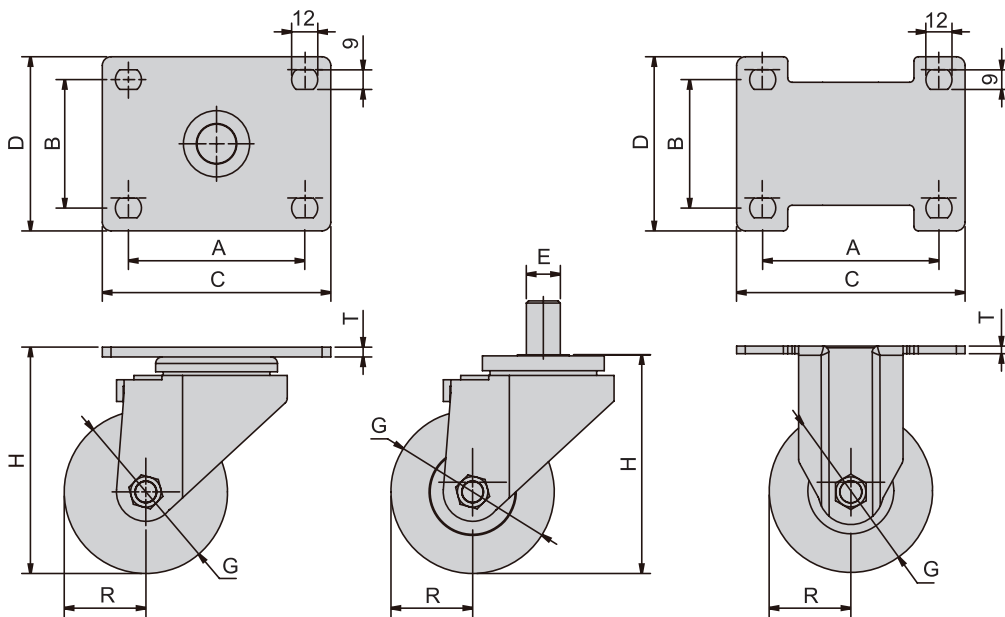
單位：(mm)

型號 Item No.	A	B	C	D	E 牙心長度	G	H	H1	R 迴轉半徑	T	含培林	荷重 Load / kg	總重量 kg
TF-A3201	81	59	105	80		3"X2" (75X50 m/m)	107		32.5	4.5	X	150	1.12
TF-A3202					Ø5/8"X12 mm 牙		107	35	32.5		X	150	1.0
TF-A3203	81	59	105	80			107		32.5	4.5	X	150	1.15
TF-A3204	81	59	105	80			107			4.5	X	150	0.75
TF-T3201	81	59	105	80			107		32.5	4.5	V	250	1.15

# 中負荷輪

## Medium Duty Caster

- TF-A3-1-TPU~TF-A3-3-TPU 輪子材質：TPU
- TF-A25201~TF-A25202 輪子材質：尼龍 Nylon



單位：(mm)

型號 Item No.	A	B	C	D	E 牙心長度	G	H	H1	R 迴轉半徑	T	含培林	荷重 Load / kg	總重量 kg
TF-A3-1-TPU	73	44	96	70		3"X1-1/4" (75X32m/ m)	106		33	4	V	100	0.8
TF-A3-2-TPU	73	44	96	70			106		33	4	V	100	0.98
TF-A3-3-TPU	73	44	96	70			106			4	V	100	0.58
TF-A25201	73	44	96	70		2-1/2"X2" (62X48m/ m)	96		25.4	4	套管	100	0.88
TF-A25202							88	32 (M12X35)	25.4		套管	100	0.71



TF-A3-1-TPU



TF-A3-2-TPU



TF-A3-3-TPU



TF-A25201



TF-A25202

# 輕負荷輪

## Light Duty Caster

- TF-A3-1-PP~TF-A3-5-PP 輪子材質：塑膠 PP



TF-A3-1-PP



TF-A3-2-PP



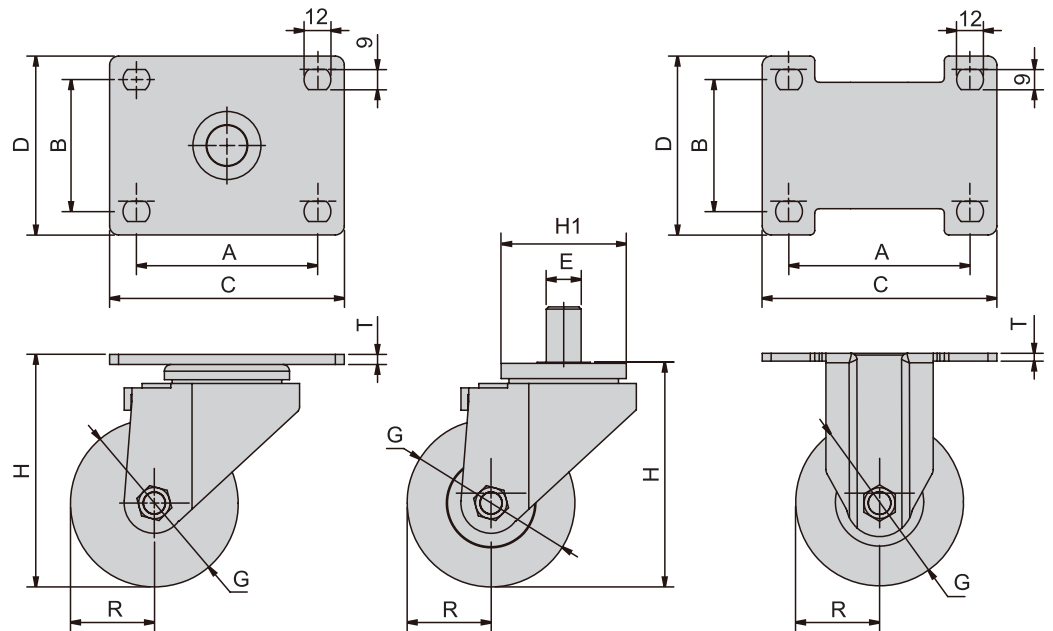
TF-A3-3-PP



TF-A3-4-PP



TF-A3-5-PP



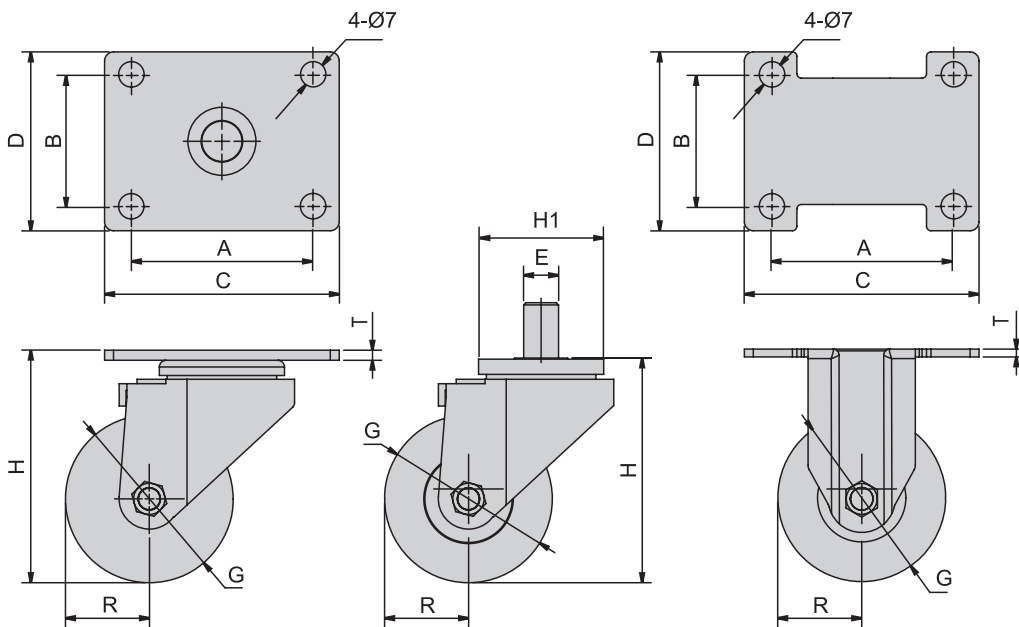
單位：(mm)

型號 Item No.	A	B	C	D	E 牙心長度	G	H	H1	R 迴轉半徑	T	荷重 Load / kg	總重量 kg	
TF-A3-1-PP	73	44	96	70		3"X1-1/4" (75X32m/m)	106		33	4	75	0.63	
TF-A3-2-PP	73	44	96	70			106		33	4	75	0.65	
TF-A3-3-PP	73	44	96	70			106			4	75	0.50	
TF-A3-4-PP					Ø1/2"X12 mm 牙		102	35	33			75	0.72
TF-A3-5-PP					Ø1/2"X12 mm 牙		102	35	33			75	0.75

# 輕負荷輪

## Light Duty Caster

- TF-B5-1~TF-B5-5 輪子材質：塑膠 PP



單位：(mm)

型號 Item No.	A	B	C	D	E 牙心長度	G	H	H1	R 迴轉半徑	T	荷重 Load / kg	總重量 kg	
TF-B5-1	54	36	70	58		2" x1" (50X25m/m)	73		26	3	40	0.32	
TF-B5-2	54	36	70	58			73		26	3	40	0.35	
TF-B5-3	54	36	70	58			73			3	40	0.15	
TF-B5-4					Ø3/8"X16 mm 牙		73	32	26			40	0.20
TF-B5-5					Ø3/8"X16 mm 牙		73	32	26			40	0.23



TF-B5-1



TF-B5-2



TF-B5-3



TF-B5-4



TF-B5-5

## 調整式腳輪

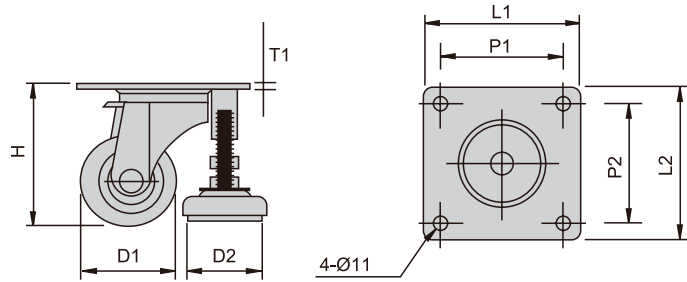
Adjust Style of Casters



TF-01  
TF-02

### TF-01 / 02 系列

- 材質：鋼鐵、鍍鉻、尼龍輪
- Material : Steel bright chrome plated polyamide wheel
- 耐溫：-10° C-+80° C
- Temperature : -10° C-+80° C



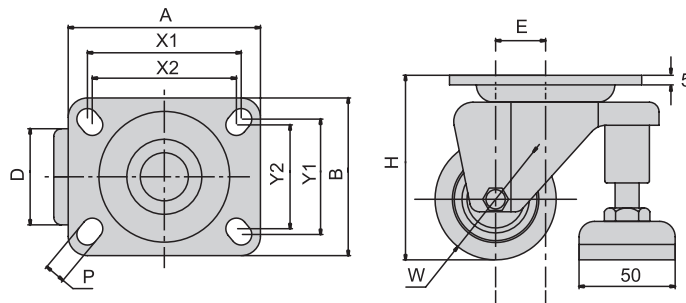
型號 Item No.	L1	L2	P1	P2	T1	H	輪徑 D1	腳盤直徑 D2	輪子材質 Wheel	荷重 Load / kg
TF-01	120	120	95	95	4	91	62	58	尼龍 Nylon	200
TF-02						107	75			



TF-03  
TF-04

### TF-03 / 04 系列

- 材質：主體一鐵、輪子一尼龍
- Material : Body-Steel 、 Wheel-Nylon
- 表面處理：主體一黑色電著塗裝
- S.TR : Body-Black powder coated
- 輪軸採用培林、可承重 300 公斤
- With bearing on wheel axle, load capacity is 300kg

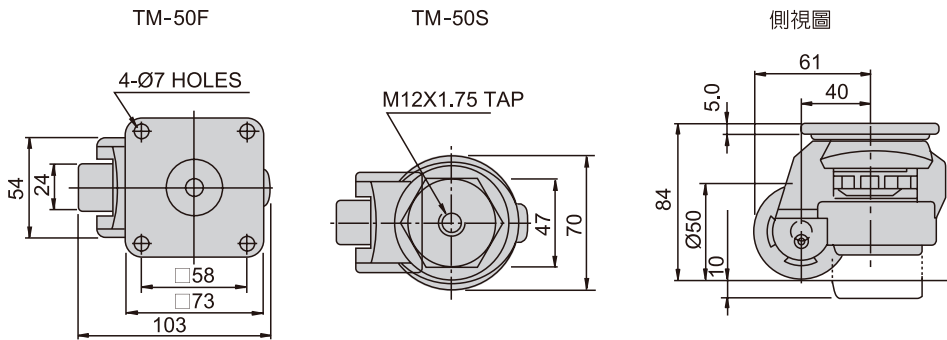


型號 Item No.	W (mm)	D (mm)	AXB (mm)	X1/X2xY1/Y2 (mm)	P (mm)	H (mm)	A (mm)	Load (KGS)	Wheel Bearing
TF-03	63	50	100X82	80/75X60/54	11	96	26	300	Ball
TF-04	75	50	100X82	80/75X60/54	11	108	26	300	Ball

# 調整式腳輪

## Adjust Style Casters

### TM-50 系列



荷重 Load / kg	使用溫度 Temperature	主體 body	輪子 Wheel	調整旋鈕 Adjusting Knob	固定板 Steel	支撐腳墊 Support Cushion
200Kg	-10° C~+80° C	鋁合金 Aluminum Alloy	PU	PU	鋼鐵電著 Steel	PU

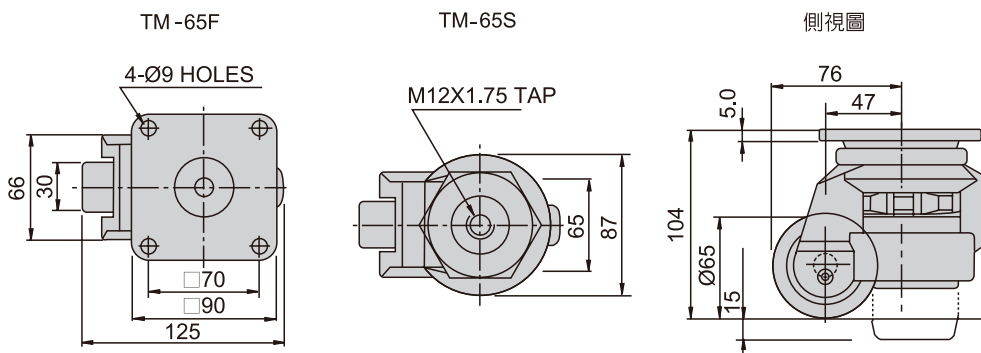


TM-50F



TM-50S

### TM-65 系列



荷重 Load / kg	使用溫度 Temperature	主體 body	輪子 Wheel	調整旋鈕 Adjusting Knob	固定板 Steel	支撐腳墊 Support Cushion
400Kg	-10° C~+80° C	鋁合金 Aluminum Alloy	PU	PU	鋼鐵電著 Steel	PU



TM-65F



TM-65S

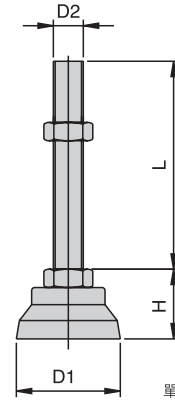
## 鋁合金腳座

### Aluminum Alloy leg Leveler



TX-100-1  
TX-100-2

- 特徵：防腐蝕、導電性佳、高荷重，鋁合金底座 - 壓鑄一體成型。
- High Load Capacity, Aluminum Alloy Base
- 適用：無塵室、儀器設備、震動設備、食品機械、自動化設備。
- 螺柱有鋼鐵及不銹鋼二種。
- Available in steel and stainless steel shaft



單位：mm L= 螺柱長度 Stud length

型號 Item No.	底座材質	螺柱材質	D1	D2	H	L	荷重 Load / kg	
TX-100-1-16-L	鋁合金 Aluminum	鐵鍍鋅 Steel	65	M16	42	100 · 150 · 200	1200kg	
TX-100-1-20-L				M20	46	100 · 150 · 200	1800kg	
TX-100-2-16-L			90	M16	42	100 · 150 · 200	1400kg	
TX-100-2-20-L				M20	46	100 · 150 · 200	2000kg	
TXS-100-1-16-L		不銹鋼 Stainless steel	65	65	M16	42	100 · 150	1200kg
TXS-100-1-20-L					M20	46	100 · 150	1800kg
TXS-100-2-16-L			90	90	M16	42	100 · 150	1400kg
TXS-100-2-20-L					M20	46	100 · 150	2000kg

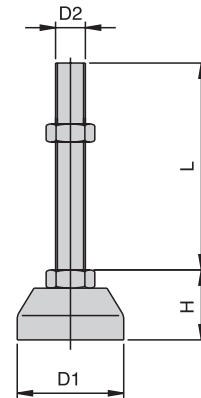
## 避震腳座

### Anti-Vibration Leg Leveler



TX-101-3

- 特徵：底座為橡膠材質，具避震之特性，適用於震動機械、自動化設備。
- Feature: With anti-vibration rubber base, use for vibration machine and automation equipment



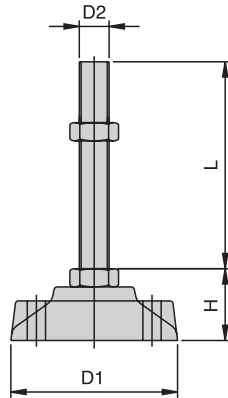
單位：mm L= 螺柱長度 Stud length

型號 Item No.	螺柱材質	D1	D2	H	L	荷重 Load / kg
TX-101-3-16-L	鐵鍍鋅 Steel	70	M16	42	100 · 150 · 200 · 250	600kg
TX-101-3-20-L			M20	46	80 · 100 · 150 · 200 · 250	800kg
TX-101-3-5-L			5/8"	43	100 · 150	600kg
TX-101-3-6-L			3/4"	45	100 · 150	800kg
TXS-101-3-16-L	不銹鋼 304 Stainless steel 304	70	M16	42	100 · 150	600kg
TXS-101-3-20-L			M20	46	100 · 150	800kg

# 塑鋼腳座

## Plastic Base Leg Leveler

- 特徵：可固定底盤為尼龍材質 PA6+30%GF，具耐衝擊及抗腐蝕之特性。
- Feature: Base is made of nylon fiberglass material (PA6+30%GF) that is impact and corrosion resistant.
- 適用：自動化設備、印刷機械、鋁擠型設備、PCB 設備 .....



單位：mm L= 螺柱長度 Stud length

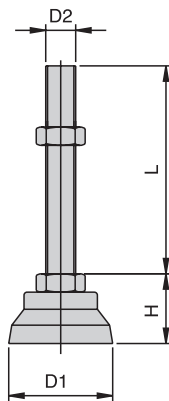
可訂製符合 ROHS 規範

型號 Item No.	螺柱材質	D1	D2	H	L	荷重 Load / kg
TX-101-1-16-L	鐵鍍鋅 Steel	100	M16	42	100 · 150 · 200 · 250	600kg
TX-101-1-20-L			M20	46	75 · 100 · 150 · 200 · 250	800kg
TX-101-1-5-L			5/8"	43	100 · 150	600kg
TX-101-1-6-L			3/4"	45	100 · 150	800kg
TXS-101-1-16-L	不銹鋼 304 Stainless steel 304		M16	42	100 · 150	600kg
TXS-101-1-20-L			M20	46	100 · 150	800kg



TX-101-1

- 特徵：底盤為尼龍材質，具耐衝擊及抗腐蝕之特性。
- Feature : Base is made of nylon fiberglass material (PA6+30%GF) that is impact and corrosion resistant.
- 適用：自動化設備、印刷機械、鋁擠型設備、PCB 設備



單位：mm L= 螺柱長度 Stud length

型號 Item No.	螺柱材質	D1	D2	H	L	荷重 Load / kg
TX-101-2-16-L	鐵鍍鋅 Steel	65	M16	42	100 · 150 · 200 · 250	600kg
TX-101-2-20-L			M20	46	75 · 100 · 150 · 200 · 250	800kg
TX-101-2-5-L			5/8"	43	100 · 150	600kg
TX-101-2-6-L			3/4"	45	100 · 150	800kg
TXS-101-2-16-L	不銹鋼 304 Stainless steel 304		M16	42	100 · 150	600kg
TXS-101-2-20-L			M20	46	100 · 150	800kg



TX-101-2

## 防滑吸震腳座

## Anti-Slip Shock Absorbing Leg Leveler

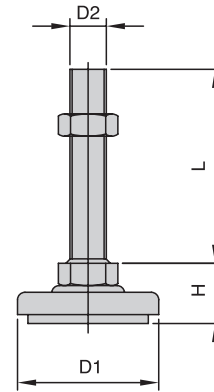
- 特徵：底部為橡膠材質，具止滑及防震之特性。
- Feature : with anti-slip, shock-resistant rubber base
- 適用：輸送機械、儀器機座、鋁擠型設備、震動機械、自動化設備



TX-102-1



TX-102-2



單位：mm L= 螺柱長度 Stud length

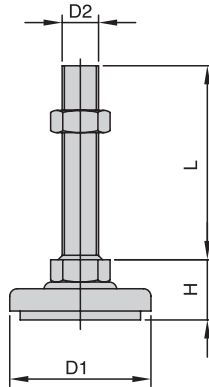
型號 Item No.	螺柱材質 Screw Material	D1	D2	H	L	荷重 Load / kg
TX-102-1-6012-L	鍍鋅 鐵材 Zinc Plated Steel	55	M12	26	75 · 100 · 150	300kg
TX-102-1-6016-L			M16	28	75 · 100 · 150	500kg
TX-102-1-604-L			1/2"	27	75 · 100 · 150	300kg
TX-102-1-605-L			5/8"	29	100 · 150	500kg
TX-102-1-8016-L		75	M16	30	100 · 150	500kg
TX-102-1-805-L			5/8"	31	100 · 150	500kg
TX-102-2-4010-L	RoHS 黑色  電著塗裝 鐵材 Black Electro-coated Steel	40	M10	20	50 · 100	200kg
TX-102-2-4012-L			M12	23	50 · 100	300kg
TX-102-2-6012-L		55	M12	26	50 · 75 · 100 · 150	300kg
TX-102-2-6016-L			M16	28	70 · 100 · 150	500kg
TX-102-2-604-L			1/2"	27	75 · 100 · 150	300kg
TX-102-2-605-L			5/8"	29	75 · 100 · 150	500kg
TX-102-2-8016-L		75	M16	30	100 · 150	500kg
TX-102-2-805-L			5/8"	31	100 · 150	500kg

# 不銹鋼防滑腳座

Anti-Slip · Stainless Steel



- 特徵：底部為導電橡膠材質，具止滑及防震之特性。
- Feature: with anti-slip, shock-resistant rubber base
- 適用：無塵室、儀器設備、震動設備、食品機械 .....



單位：mm L= 螺柱長度 Stud length

型號 Item No.	螺柱材質 Screw Material	D1	D2	H	L	荷重 Load / kg	
TX-102-3-4010-L	不銹鋼 304 Stainless Steel 304 表面電解處理	40	M10	21	50 · 100	200kg	
TX-102-3-4012-L			M12	23	50 · 100	300kg	
TX-102-3-404-L			1/2"	23	50 · 100	300kg	
TX-102-3-6012-L		60	60	M12	30	50 · 100	300kg
TX-102-3-6016-L				M16	32	100	500kg
TX-102-3-604-L				1/2"	30	50 · 100	300kg
TX-102-3-605-L				5/8"	32	100	500kg

## 腳座、腳輪

LEVELING · CASTERS

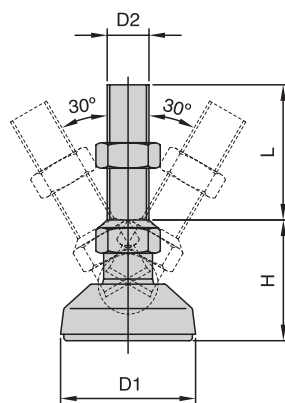


TX-102-3

# 萬向腳座

Tilting Leg Leveler

- 特徵：底盤為尼龍 PA6+30%GF 材質，具耐衝擊之特性，適不平坦地面使用。
- Feature: Base is made of nylon fiberglass material (PA6+30%GF) that is impact and corrosion resistant
- 適用：工作桌、鋁擠型設備。



單位：mm L= 螺柱長度 Stud length

型號 Item No.	螺柱材質 Screw Material	D1	D2	H	L	荷重 Load / kg
TX-103-16-150	鐵鍍鋅 Zinc Plated Steel	65	M16	39	150	300kg
TX-103-16-100			M16	39	100	300kg
TX-103-5-100			5/8"	39	100	300kg



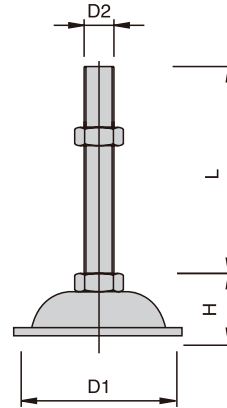
TX-103

## 不銹鋼喇叭腳座

### STAINLESS STEEL WIDE FOOT LEG LEVELER



- 底部為不銹鋼板沖壓製成  
外觀振動研磨處理  
適用於無塵室及各種潮濕環境
- Material : SUS 304
- S.Tr : Vibrate Polish



單位 : mm L= 螺柱長度 Stud length

型號 Item No.	螺柱材質 Screw Material	D1	D2	H	L	荷重 Load / kg	
TX-104-1-10-L	不銹鋼 304 Stainless steel 304	50	M10	18	50 · 100	150kg	
TX-104-1-12-L			M12	20	50 · 75 · 100	200kg	
TX-104-1-4-L			1/2"	20	50 · 75 · 100	200kg	
TX-104-2-12-L		70	70	M12	27	50 · 75 · 100 · 150	300kg
TX-104-2-16-L				M16	30	50 · 75 · 100 · 150	400kg
TX-104-2-4-L				1/2"	27	50 · 75 · 100	300kg
TX-104-2-5-L	5/8"			30	100	4 00kg	



TX-104-1



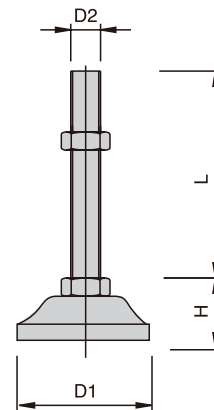
TX-104-2

## 不銹鋼實心腳座 · 重承載

### STAINLESS STEEL SOLID LEG LEVELER · For Heavy-Duty Use



- 底部為不銹鋼一體成型，拋光處理  
適用於無塵室、鋁擠型設備、高載重機械設備、食品機械
- Material : SUS 304
- S.Tr : Bright Polish



單位 : mm L= 螺柱長度 Stud length

型號 Item No.	螺柱材質 Screw Material	D1	D2	H	L	荷重 Load / kg
TX-105-1-16-L	不銹鋼 304 Stainless steel 304	50	M16	31	100 · 150	1500kg
TX-105-2-16-L			M16	31	100 · 150	1500kg
TX-105-2-20-L		70	M20	35	100 · 150	2500kg



TX-105-1

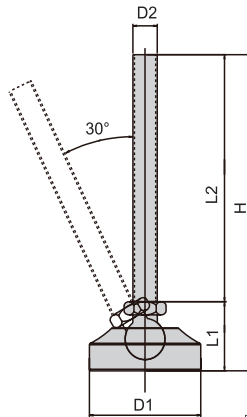


TX-105-2

# 重力型萬向腳座

## HEAVY DUTY TILTING LEG LEVELER

- 適用於：無塵室設備、鋁擠型設備、高負載機械設備、自動化工業設備、傾斜地面使用
- 螺柱：採用多沖程設備生產
- 底座：鋁合金壓鑄一體成型，表面拋光電鍍處理，橡膠墊為導電橡膠。



單位：mm L= 螺柱長度 Stud length

型號 Item No.	螺柱材質 Screw Material	D1	L1	D2	螺柱長度 L2	H	荷重 Load / kg
TXS-106-1-16-L2	不銹鋼 304 Stainless steel304	70	42	M16	100	142	1000kg
TX-106-1-20-L2					150	192	
TXS-106-1-20-L2	SS41 鍍鋅	100		M20	100	142	1500kg
TXS-106-2-16-L2					150	192	
TXS-106-2-20-L2	不銹鋼 304 Stainless steel304	100	M20	100	142	1500kg	
				150	192		

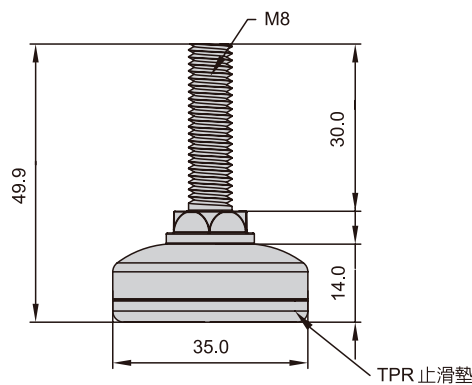


TX-106

# 小型腳座

## Leveling

- 材質：底盤—鐵 +TPR、螺牙—鐵
- Material : Bottom-Steel+TPR 、Screw-Steel
- 表面處理：底盤—鍍鎳、螺牙—鍍鋅
- S.TR : Bottom-Chrome · Screw-Zinc plated



單位：mm



TX-35-M8-30

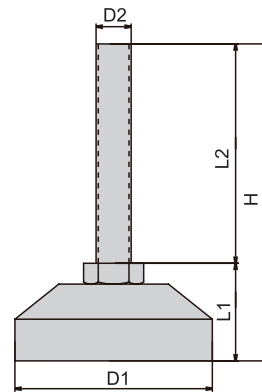
## 重型避震腳座

### HEAVY DUTY ANTI-VIBRATION LEG LEVELER

- 特徵：底盤為尼龍材質，具耐衝擊之特性，適合不平坦地面使用
- Feature : Base is made of nylon material that is impact resistant.  
Suitable for uneven floor.
- 適用：工作桌，鋁擠型設備，自動化設備



TX-107



單位：mm L= 螺柱長度 Stud length

型號 Item No.	螺柱材質 Screw Material	D1	L1	D2	螺柱長度 L2	H	荷重 Load / kg
TX-107-16-L2	鐵鍍鋅 Zinc Plated Steel	90	43	M16	100	143	800kg
			43		150	193	800kg
			43		200	243	800kg
			43		250	293	800kg
TX-107-20-L2			46	M20	100	146	800kg
			46		150	196	800kg
			46		200	246	800kg
			46		250	296	800kg
TX-107-5-L2			43	5/8"	100	143	800kg
			43		150	193	800kg
TX-107-6-L2			46	3/4"	100	146	800kg
			46		150	196	800kg
TXS-107-16-L2	不銹鋼 304 Stainless steel304	90	43	M16	100	143	800kg
			43		150	193	800kg
			43		200	243	800kg
TXS-107-20-L2			46	M20	100	146	800kg
			46		150	196	800kg
			46		200	246	800kg



# 防水蓋

## LOCK DUST COVER



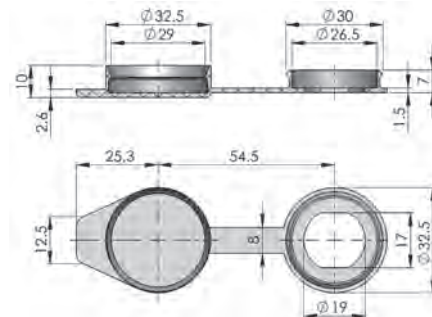
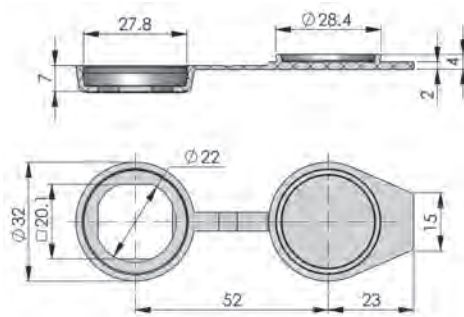
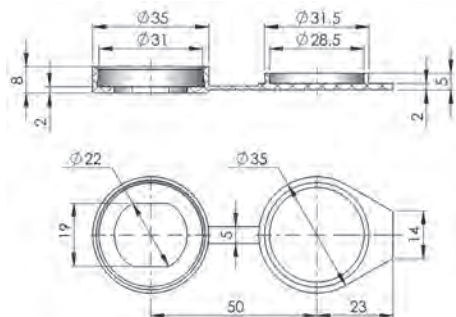
WP-001  
黑色 PA



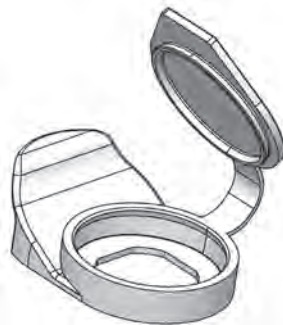
WP-002  
黑色 PA



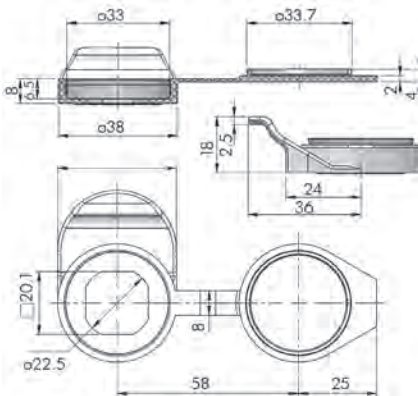
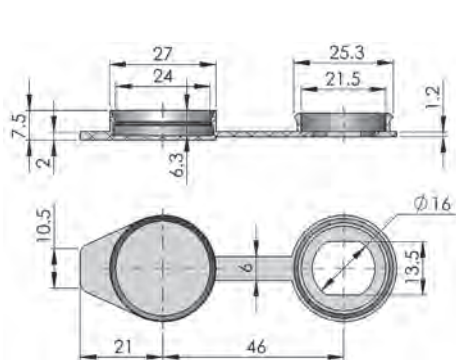
WP-003  
黑色 PA



WP-004  
黑色 PA



WP-007  
黑色 PE 取手 + 防水蓋

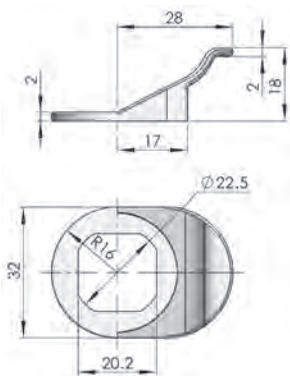


# 取手

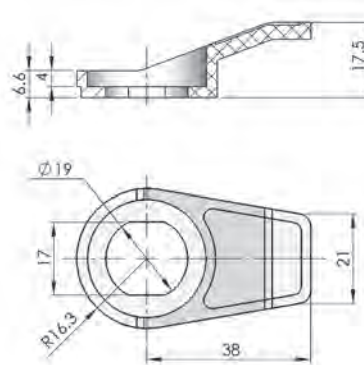
## Pull Tab



TX-2014  
黑色 PA



TX-2016  
黑色 PP



# 附件

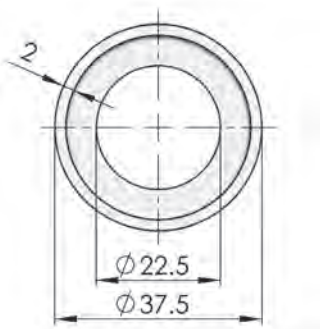
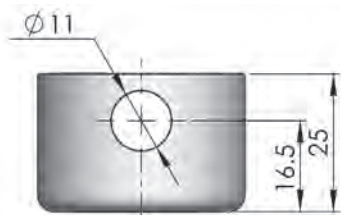
## ACCESSORIES



TX-2014

# 掛鎖座

## Padlock Bracket



A-3001-SS/ST

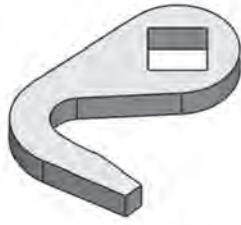
- 此零件搭配圓柱鎖使用，使用端自行加裝掛鎖，增強防盜性
- This part is used on cylindrical locks. It has a padlock hole that allows the users to install their own padlocks and enhance anti-theft security.

型號 Item No	材質 Material
A-3001-SS	不銹鋼 Stainless steel
A-3001-ST	鐵 (黑麻面) Steel

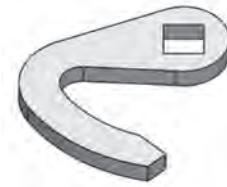
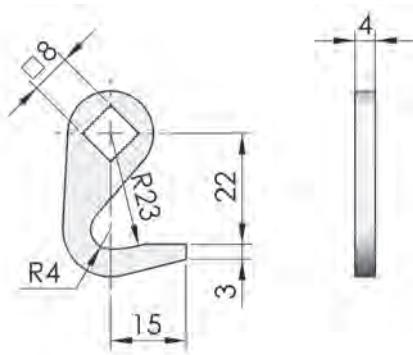


A-3001  
使用示意

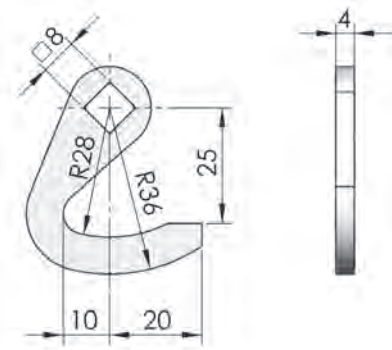
擋片  
Cam



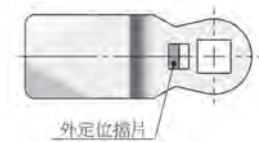
S1B2328H



S1B2836H



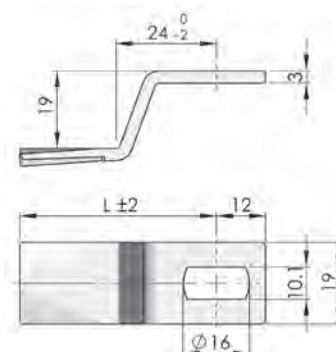
S1B 系列



型號 Item No	折彎高度 BH TS=3
S1B4500	0
S1B4507	7
S1B4516	16



S1H4819



標準板厚 Ts=3mm，有其他材質、中心距及板厚要求請另外說明，外定位時擋片代號前面加 D，例：DS1B4500







TAI SAM CORPORATION

**由鑫國際有限公司**

WWW.TAI-SAM.COM.TW

電話TEL : 886-2-26028689

傳真FAX : 886-2-26031387

地址: 24458 新北市林口區文化二路二段371號

No. 371, Sec. 2, Wenhua 2nd Road, Linkou District,

New Taipei City 24458, Taiwan

E-mail : info@yoeshin.com.tw

TAI SAM CORPORATION



2023.03



